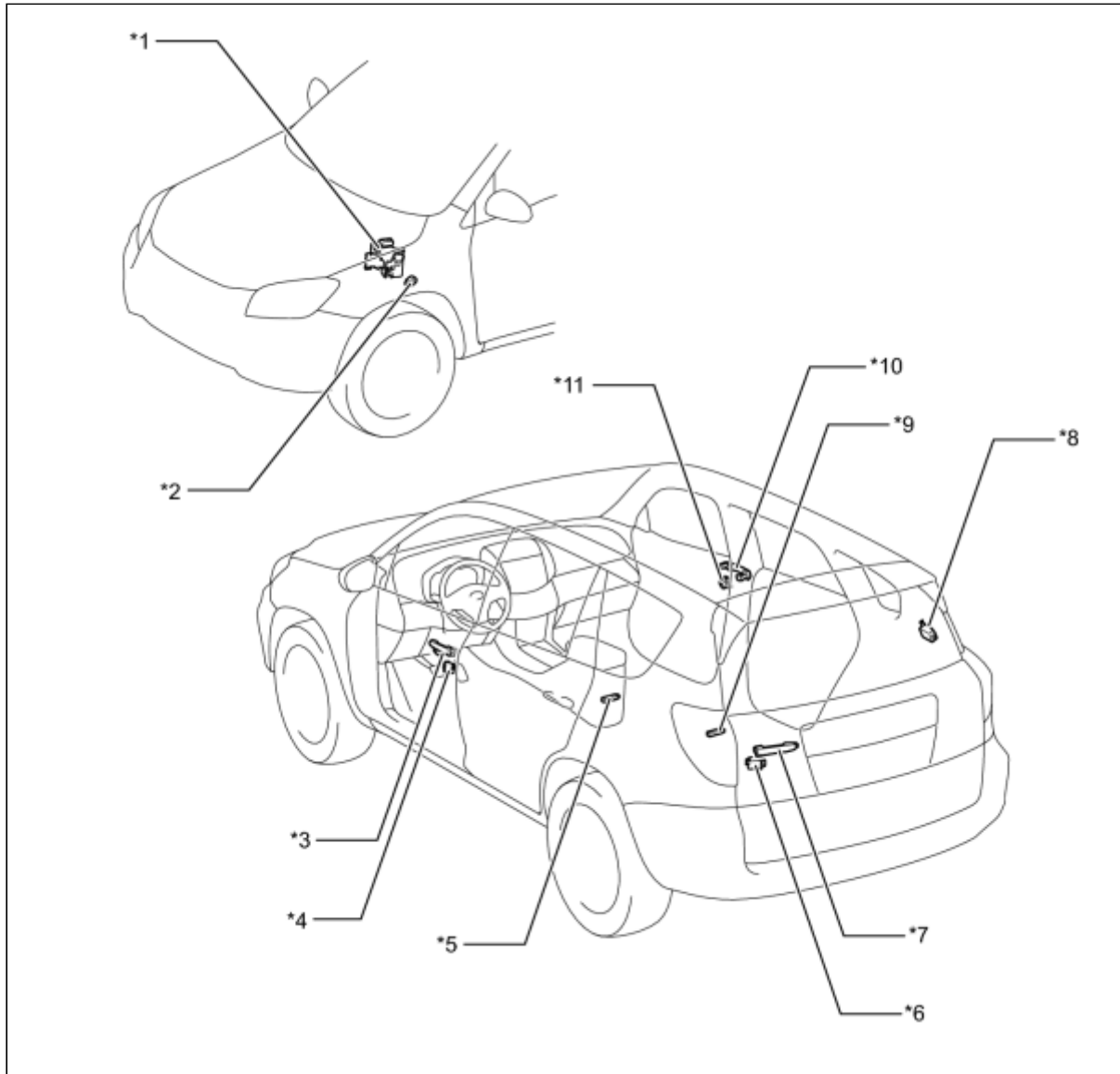


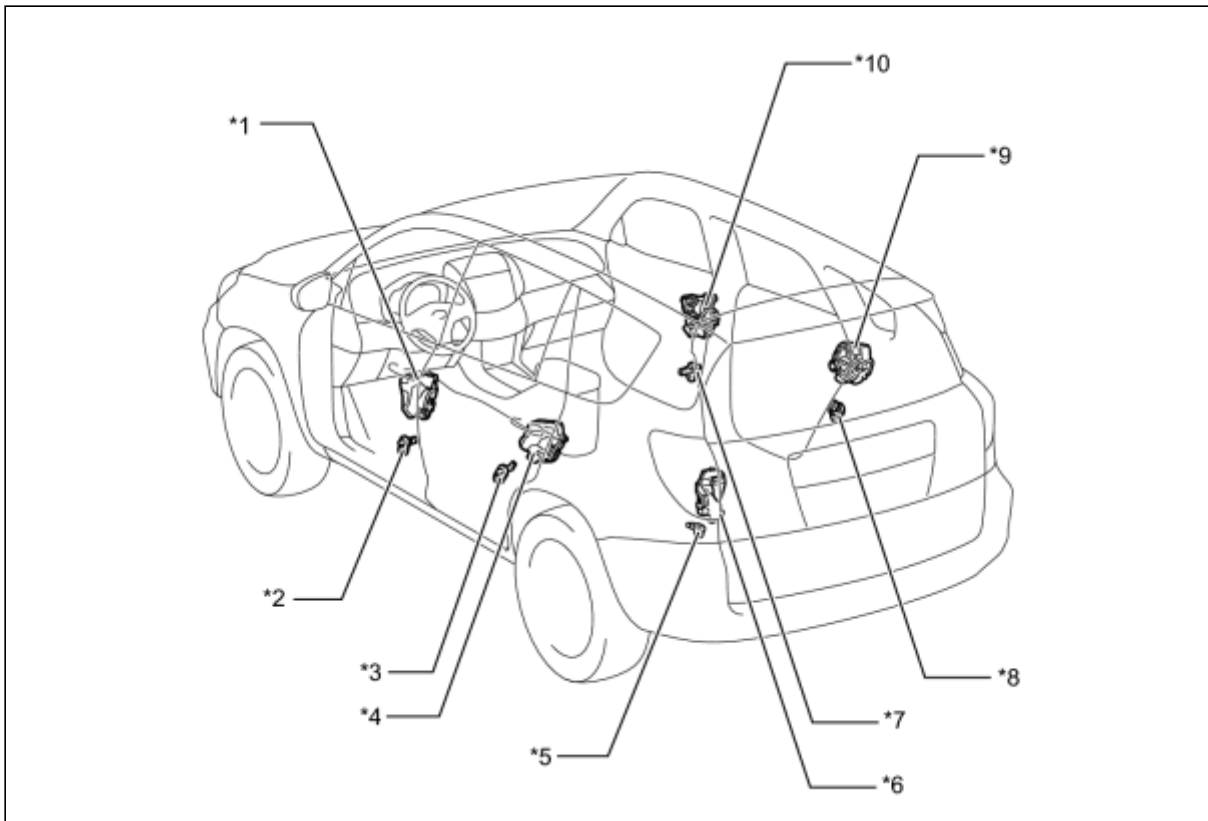
<b>Last Modified:</b> 8-20-2013	6.4	<b>Doc ID:</b> RM000005DBM002X
<b>Model Year:</b> 2014	<b>Model:</b> RAV4 EV	<b>Prod Date Range:</b> [09/2013 - ]
<b>Title:</b> THEFT DETERRENT / KEYLESS ENTRY: SMART KEY SYSTEM: PARTS LOCATION; 2014 MY RAV4 EV [09/2013 - ]		

## PARTS LOCATION



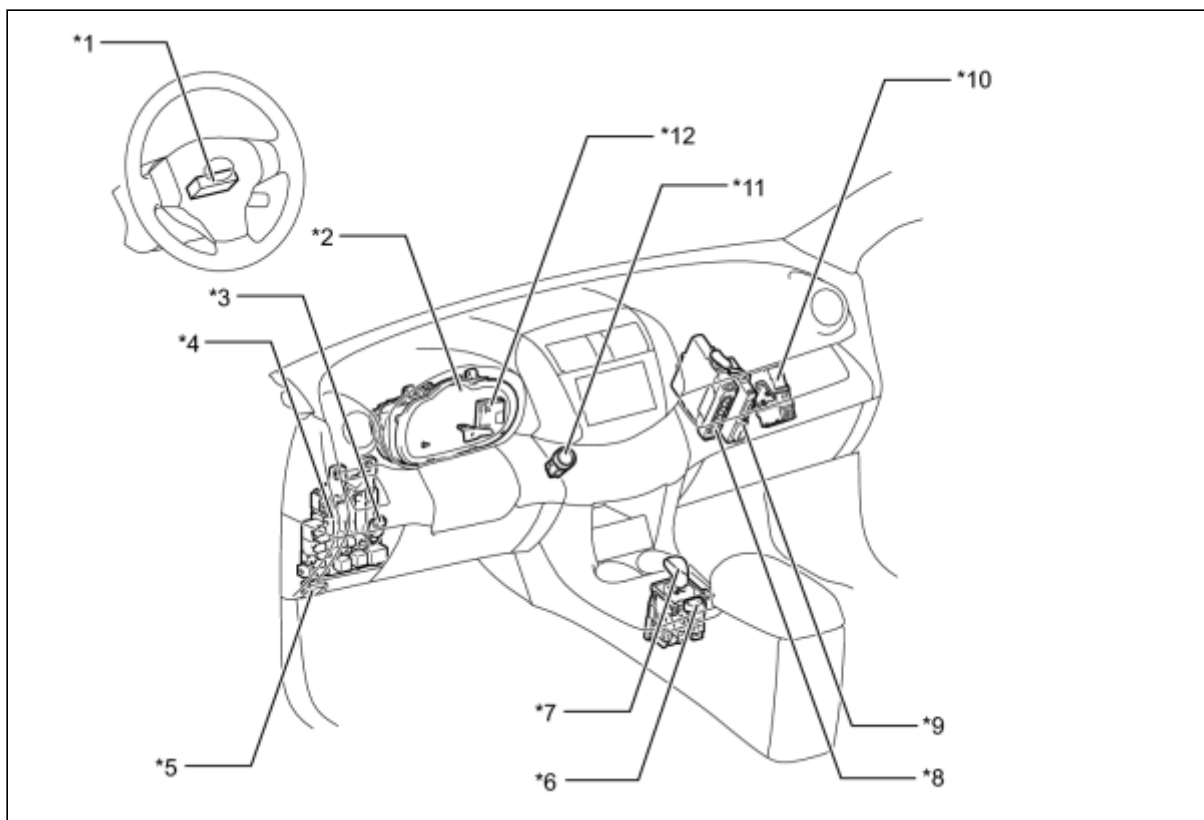
### Text in Illustration

*1	Skid Control ECU	*2	Wireless Door Lock Buzzer
*3	Front Door Outside Handle Assembly LH	*4	Door Electrical Key Oscillator LH
*5	Front Indoor Electrical Key Oscillator	*6	Door Electrical Key Oscillator (Back Door)
*7	Back Door Outside Handle Assembly	*8	Door Control Receiver
*9	Rear Indoor Electrical Key Oscillator	*10	Front Door Outside Handle Assembly RH
*11	Door Electrical Key Oscillator RH	-	-



**Text in Illustration**

*1	Front Door Lock Assembly LH	*2	Front Door Courtesy Light Switch Assembly LH
*3	Rear Door Courtesy Light Switch Assembly LH	*4	Rear Door Lock Assembly LH
*5	Back Door Courtesy Light Switch Assembly	*6	Back Door Lock Assembly
*7	Front Door Courtesy Light Switch Assembly RH	*8	Rear Door Courtesy Light Switch Assembly RH
*9	Rear Door Lock Assembly RH	*10	Front Door Lock Assembly RH



### Text in Illustration

*1	Steering Lock ECU	*2	Combination Meter Assembly
*3	Stop Light Switch Assembly	*4	Main Body ECU (Instrument Panel Junction Block Assembly)
*5	DLC3	*6	P Position Switch
*7	Transmission Floor Shift Assembly - Shift Lever Position Sensor	*8	Power Management Control ECU
*9	Certification ECU (ECU Aggregation Box Assembly)	*10	Transmission Control ECU
*11	Power Switch (Push Start Switch)	*12	ID Code Box (Immobiliser Code ECU)

