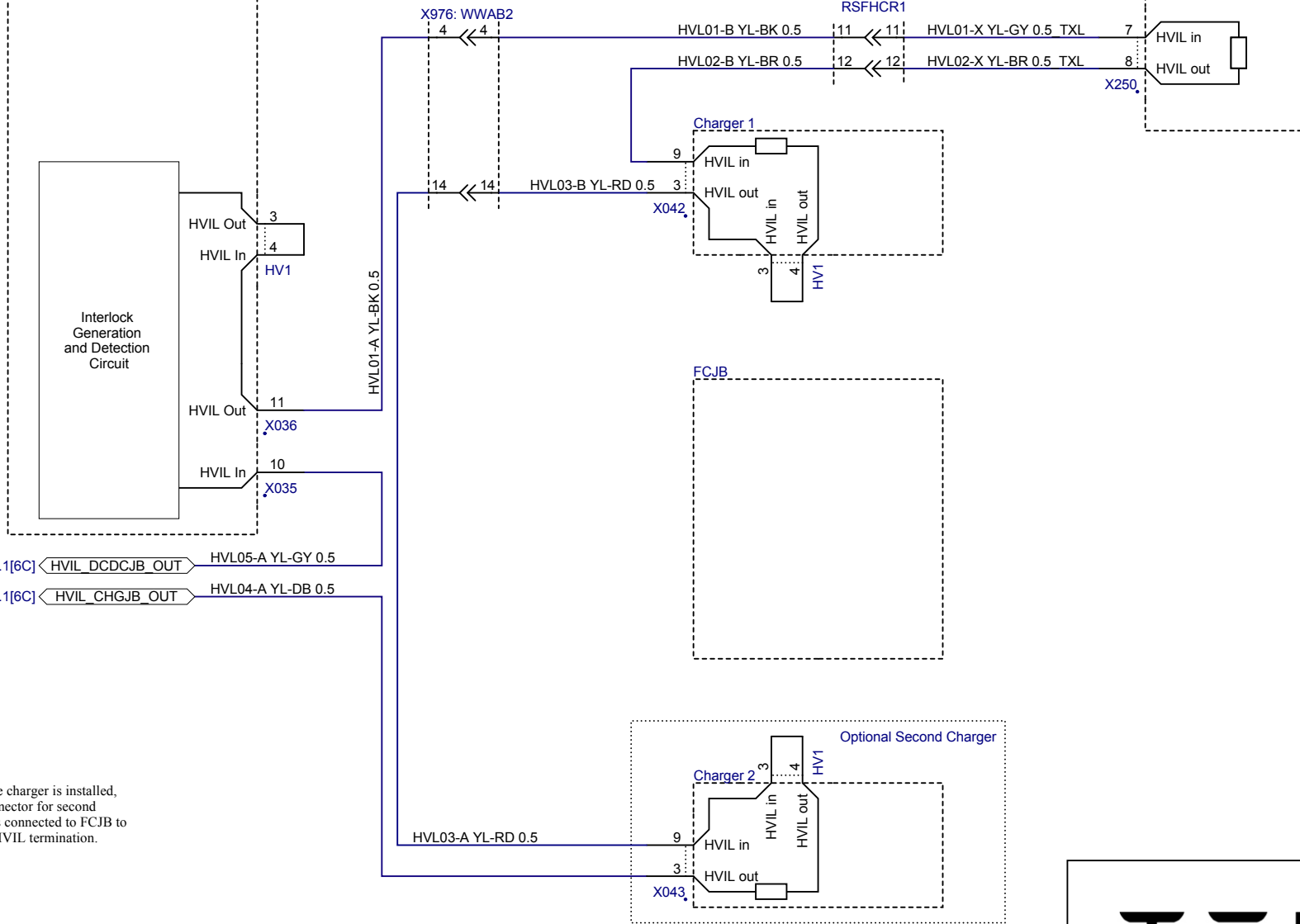


HV Battery (ESS)

Drive Inverter



24.1[6C] < HVIL_DCDCJB_OUT > HVL05-A YL-GY 0.5
 24.1[6C] < HVIL_CHGJB_OUT > HVL04-A YL-DB 0.5

When one charger is installed, logic connector for second charger is connected to FCJB to provide HVIL termination.

TESLA

PROJECT NAME: Model S Wiring Diagram: LHD PHASE: SOP(2012)

SHEET NAME: High Voltage Interlock Connections 2 of 2 (Rear)

ITEM NO. 1004573-00-D REVISION: 09 (final) DATE: 5/13/2014

DO NOT SCALE **SHEET 24.2**

THE INFORMATION CONTAINED HEREIN IS DEEMED TO BE CONFIDENTIAL, PROPRIETARY, AND A TRADE SECRET OF TESLA MOTORS. THIS INFORMATION MAY NOT BE USED, REPRODUCED, OR DISCLOSED AS THE DIRECT OR INDIRECT BASIS FOR THE DEVELOPMENT, MANUFACTURE, OR SALE OF PROCESSES OR PRODUCTS WITHOUT THE EXPRESSED WRITTEN CONSENT OF TESLA MOTORS.