

OBSOLETE, SOME PARTS STILL AVAILABLE

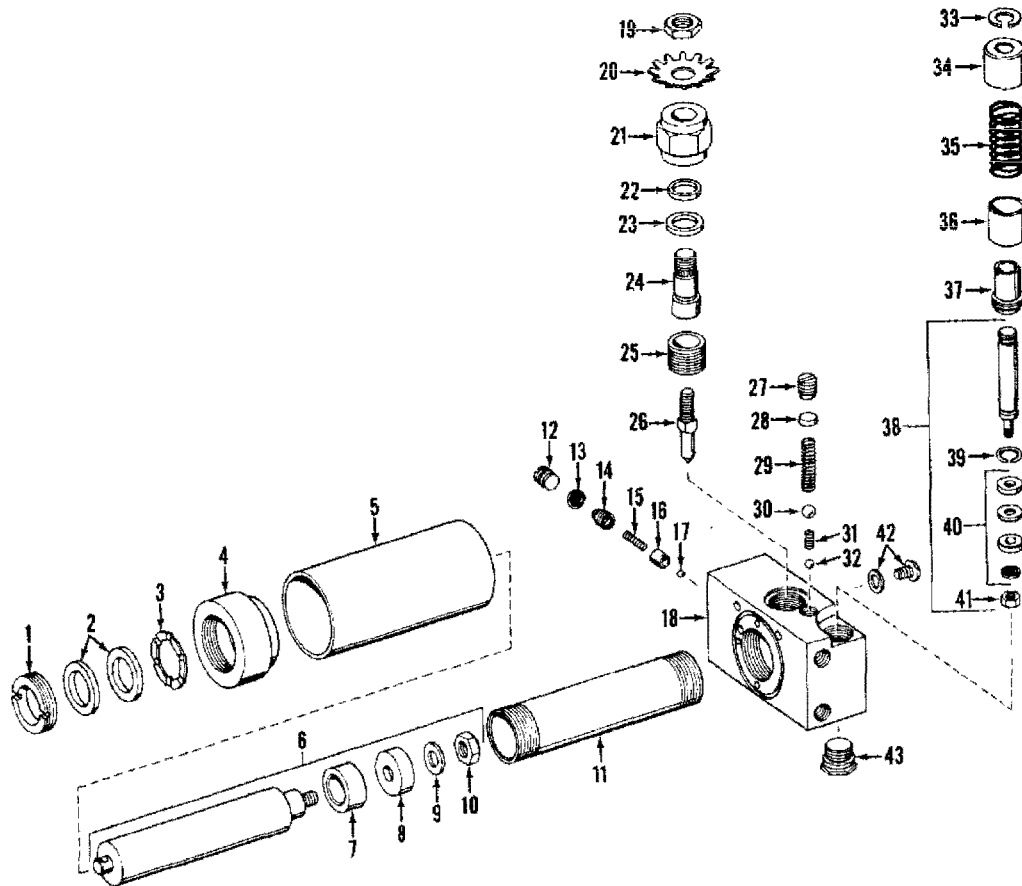
HEIN-WERNER AUTOMOTIVE

“O’BOY” MODEL “OS”

UNIT ASSEMBLY

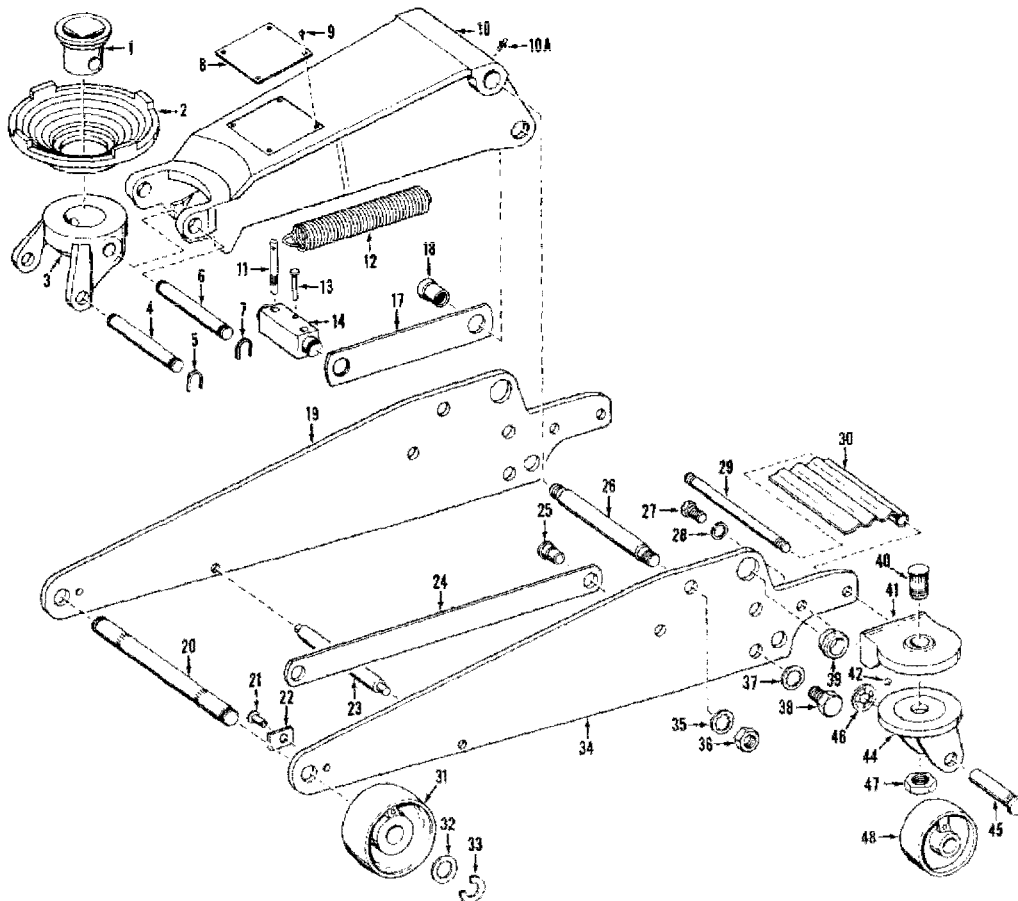
ITEM NO	PART NO.	DESCRIPTION	ITEM NO	PART NO.	DESCRIPTION
1	25045	Packing Nut	22	24540	Packing
2	11385	Packing	23	24795	Thrust Washer
3	25065	Washer	24	24695	Stud
4	25025	Top Nut	25	24865	Stop
5	24980	Reservoir Tube	26	25135	Release Valve
6	5250	Ram complete		80345	Pump Valves.
7	25095	Spacer	27	11855	Plug
8	24775	Cup	28	11520	Seal
9	2025	Retainer	29	11330	Spring
10	26270	3/4-24 Std. Hex Jam Nut	30	3010	Ball
11	25005	Cylinder	31	2185	Spring
12	11855	Plug	32	2675	Ball
13	11520	Seal	33	23695	Clip
14	17520	Adjusting Screw	34	23970	Upper Guard
15	16906	Spring	35	23610	Spring
16	17055	Spring Cap	36	23985	Lower Guard
17	17220	Ball	37	23755	Guide
18	24620	Body for Unit	38	5248	Piston Assembly
	5249	Release Valve Assembly	39	25230	Eaton Snap Ring
19	24850	Hex Jam Nut	40	80055	Piston Cup Assembly
20	23660	Gear	41	25480	1/4-28 Hex Jam Nut
21	24715	Release Valve Box	42	80007	Filler Screw w/Washer
			43	24920	Plug

KIT # 80746



FRAME ASSEMBLY FOR MODEL "OS"

ITEM NO.	PART NO.	DESCRIPTION	ITEM NO.	PART NO.	DESCRIPTION
1	24665	Saddle Stud	25	24830	Stud
2	25175	Saddle	26	24960	Main Pin
3	24675	Saddle Holder	27	19245	Slotted Hd. Cap Screw
4	24685	Pin	28	26385	3/8 Lockwasher
5	16810	Clip	29	25210	Caster Tie Rod
6	24685	Pin	30	25195	Caster Extension Cover
7	16810	Clip	31	10350	Front Wheels
8	55289	Nameplate	32	18670	Washer
9	14945	#6 x 1/4 Drive Screw	33	24490	Clip
10	80052	Lift Arm w/ Drag Links, Studs, 2 grease fittings & nameplate	34	25191	Side Bar, L.H. complete w/ Par Links, Studs
10A	9750	Alemite Grease Fitting	35	2156	Shakeproof Lockwasher 1224
11	24570	Spring Stud	36	18960	Jam Nut (2)
12	23530	Return Spring	37	2156	Shakeproof Lockwasher 1224
13	19095	3/8 x 1 3/8 Rivet	38	24465	Cap Screw
14	24640	Cross Pin	39	24770	Bushing, Set of 2
17	80053	Drag Link, Set of 2, with 24640	5055		Caster Assembly complete
18	24605	Drag Link Stud	40	19340	Stud
19	25190	Side Bar, R.H. complete w/ Par Links, Studs	41	25180	Bracket
20	24655	Front Axle	42	2630	Balls for Caster (Set of 28)
21	24950	Rivet	44	19460	Fork
22	24895	Front Axle Retainer	45	19370	Axle
23	24840	Cross Piece	46	25447	Push Nut
24	24745	Parallel Link	47	17370	Hex Jam Nut
			48	19290	Wheel



HANDLE ASSEMBLY FOR MODEL "OS"

ITEM NO	PART NO.	DESCRIPTION	ITEM NO	PART NO.	DESCRIPTION
	5258	Handle Assembly Complete	10	23865	Washer
1	23820	Finger Stud	11	23625	Release Gear
2	24970	Handle Pivot Pin	12	24230	Release Rod
3	25125	Handle Fork	13	24910	Self Tap Screw
4	25540	1/4-28 Hex Hd. Nut	14	5145	Handle Sub-assembly
5	23790	Spring		24215	Handle Pipe only
6	23810	Spring	15	24205	Handle Grip
7	23845	Spring Stud	16	24245	Knob
8	23730	Pump Roller	18	25480	1/4-28 Hex Jam Nut
9	25085	Roller Pin	19	55313	Caution Decal (Not Shown)

