



**DIPACO**  
**DIESEL**  
**PARTS**  
**U S A**

*An Employee Owned Company*

# DIPACO, Inc.

# Combined Catalog

If you need assistance on how Acrobat Reader works, chose HELP on the Reader menu bar and go through the Reader Online Guide.

The Table of Contents can be found on page 5 of this catalog.

DIPACO, Inc.

105 East Parr Boulevard, Reno, Nevada 89512 ■ USA

[www.dipaco.com](http://www.dipaco.com) ■ [sales@dipaco.com](mailto:sales@dipaco.com)

Telephone: (775) 329-7511 ■ Fax: (775) 329-9740 ■ Toll Free: (800) 648-4720 ■ Toll Free Fax: (888) 320-7761



**DIPACO**  
**DIESEL**  
**PARTS**  
**U S A**

# INTRODUCTION

## *An Employee Owned Company*

### Address

DIPACO, Inc.  
105 East Parr Blvd.  
Reno, Nevada 89512 USA  
**Phone: (775) 329-7511**  
**Fax: (775) 329-9740**  
**Toll Free Phone: (800) 648-4720**  
**Toll Free Fax: (888) 320-7761**  
**E-Mail: sales@dipaco.com**  
**Internet: www.dipaco.com**

### What we offer

- Providing **quality diesel parts since 1948**
- Comprehensive **warranty**
- **Competitive** pricing
- Excellence in customer **service**
- Company **representation** before and after sales
- **Multi-skilled** staff
- **Extended trading hours**
- **Toll free** phone and fax ordering
- Full **technical** support
- Quality **commitment**
- Superior **quality inventory**
- Same day **shipping**

### Information

*Copyright*  
DIPACO, Inc., 1998, and  
**INPACparts Pty Ltd**, 1998. No part  
of this publication may be reproduced  
in any form by any means without  
written permission.

This catalog is in loose leaf form  
to allow for continuous updating  
as we add additional parts. For  
current parts availability, please  
consult our current price list or  
contact DIPACO or your DIPACO  
distributor.

This catalog is for reference  
purposes only. DIPACO assumes  
no responsibility or liability for any  
errors or inaccuracies that may  
appear in this publication. All  
mention of OEM names and part  
numbers is for reference only.



## Product Lines

- Allis-Chalmers
- Caterpillar
- Cummins
- AMBAC
- Navistar
- GM
- Ford
- Lucas/CAV
- Bosch
- Zexel
- Denso
- Stanadyne
- Special Tool Kits and Tools
- Special Installation and Mounting Kits

DIPACO is located in Reno, Nevada, in the western United States. DIPACO has distributors throughout North America, our Australian sister company, **INPACparts**, and distributors around the world to provide prompt service to the fuel injection industry.

### *Our Vision*

**To be the leader in marketing and distribution of fuel injection and related products to the global diesel industry.**

### *Our Mission*

**DIPACO is an employee owned company providing quality diesel fuel injection and related products and training as an alternative to the original equipment manufacturer**

**We serve each customer with convenient products in an efficient manner at competitive prices in the global market.**



## Length Conversion

Many of the dimensional measurements used in this catalog are metric (millimeters) while others are in inches. We are including this conversion guide to help you translate between measurement systems.

### LENGTH FORMULAS

#### Inch to Millimeter

*Use the inch decimal equivalent.*

**Inch x 25.4 = mm**

#### Millimeter to Inch

*The result is the inch decimal equivalent.*

**mm x .0394 = Inch**

### DECIMAL EQUIVALENTS

#### 8ths

1/8 = .125

1/4 = .250

3/8 = .375

1/2 = .500

5/8 = .625

3/4 = .750

7/8 = .875

#### 16ths

1/16 = .062

3/16 = .187

5/16 = .312

7/16 = .437

9/16 = .562

11/16 = .687

13/16 = .812

15/16 = .937

#### 32nds

1/32 = .031

3/32 = .093

5/32 = .156

7/32 = .218

9/32 = .281

11/32 = .343

13/32 = .406

15/32 = .468

17/32 = .531

19/32 = .593

21/32 = .656

23/32 = .718

25/32 = .781

27/32 = .843

29/32 = .906

31/32 = .968

### DECIMAL EQUIVALENTS

#### 64ths

1/64 = .015

3/64 = .046

5/64 = .078

7/64 = .109

9/64 = .140

11/64 = .171

13/64 = .203

15/64 = .234

17/64 = .265

19/64 = .296

21/64 = .328

23/64 = .359

25/64 = .390

27/64 = .421

29/64 = .453

31/64 = .484

33/64 = .515

35/64 = .546

37/64 = .578

39/64 = .609

41/64 = .640

43/64 = .671

45/64 = .703

47/64 = .734

49/64 = .765

51/64 = .796

53/64 = .828

55/64 = .859

57/64 = .890

59/64 = .921

61/64 = .953

63/64 = .984





<b>SUBJECT</b>	<b>SECTION</b>
<b>ALLIS-CHALMERS</b> .....	<b>ALLIS-CHALMERS</b>
<b>CATERPILLAR</b> .....	<b>CATERPILLAR</b>
<b>CUMMINS</b> .....	<b>CUMMINS</b>
<b>OTHER FUEL SYSTEMS</b> .....	<b>OTHER FUEL SYSTEMS</b>
<b>COMPONENTS</b> .....	<b>COMPONENTS</b>
NOZZLE WASHERS .....	CHAPTER 1
HEAT SHIELDS .....	CHAPTER 2
LEAK-OFF WASHERS .....	CHAPTER 3
CAP NUT WASHERS .....	CHAPTER 4
DUST SEALS AND O-RINGS .....	CHAPTER 5
FINISHING MATERIALS .....	CHAPTER 6
plastic bags .....	6-1
plastic caps and plugs .....	6-3
lead seals, wires and sealing paint .....	6-11
FUEL INJECTION LINES .....	CHAPTER 7
BANJO BOLTS .....	CHAPTER 8
BANJO FITTINGS .....	CHAPTER 9
OVERFLOW & NON RETURN VALVES .....	CHAPTER 10
FUEL LINE COMPONENTS .....	CHAPTER 11
PLUGS AND FITTINGS .....	CHAPTER 12
PINS, BUSHES & ROLLERS .....	CHAPTER 13
pins .....	13-1
bushes .....	13-7
rollers .....	13-11
roller kits .....	13-17
OIL SEALS .....	CHAPTER 14
MOUNTING GASKETS, O-RINGS AND HARDWARE .....	CHAPTER 15
COUPLINGS AND DISCS .....	CHAPTER 16
LIFT PUMP REPAIR KITS AND ACCESSORIES .....	CHAPTER 17
BEARINGS AND BUSHINGS .....	CHAPTER 18
HAND PRIMERS .....	CHAPTER 19
SOLENOIDS .....	CHAPTER 20
INSTALLATION KITS .....	CHAPTER 21
INDEX .....	INDEX



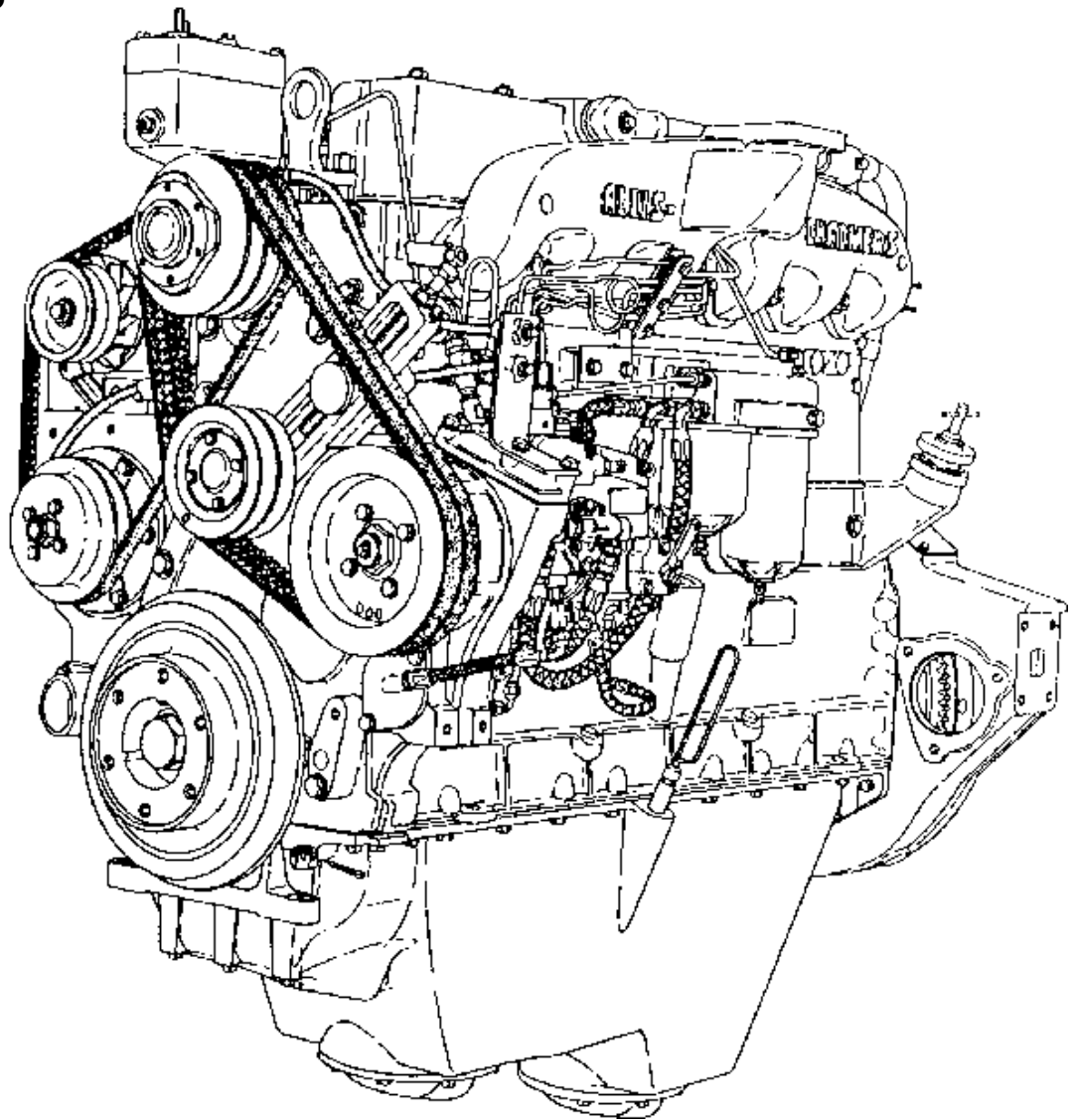
**DIPACO**  
**DIESEL**  
**PARTS**  

---

**U S A**

# DIPACO Parts Catalog For Allis-Chalmers Fuel Injection

November 1998



DIPACO, Inc.

105 East Parr Boulevard, Reno, Nevada 89512 USA

[www.dipaco.com](http://www.dipaco.com) ■ [sales@dipaco.com](mailto:sales@dipaco.com)

Telephone: (775) 329-7511 ■ Fax: (775) 329-9740 ■ Toll Free: (800) 648-4720 ■ Toll Free Fax: (888) 320-7761

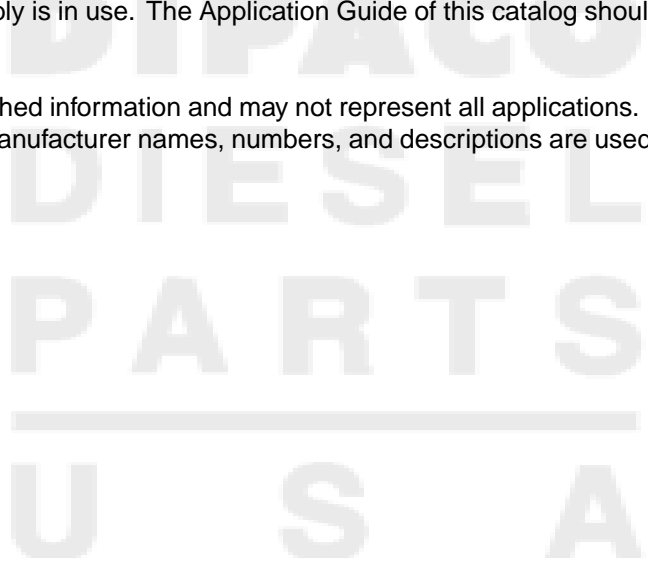
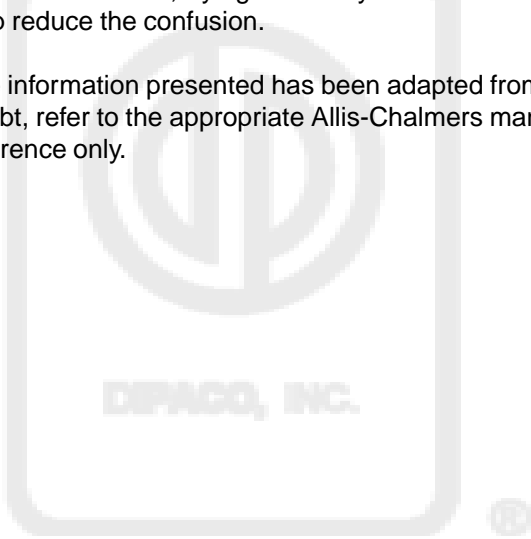


## INTRODUCTION

---

Allis-Chalmers made their own holders and nozzle for a number of years. Often they used the same holder and nozzle with a different opening pressure due to different fuel injection pumps and engine applications. This has led to some confusion, trying to identify which holder assembly is in use. The Application Guide of this catalog should help reduce the confusion.

The information presented has been adapted from published information and may not represent all applications. If in doubt, refer to the appropriate Allis-Chalmers manual. Manufacturer names, numbers, and descriptions are used for reference only.

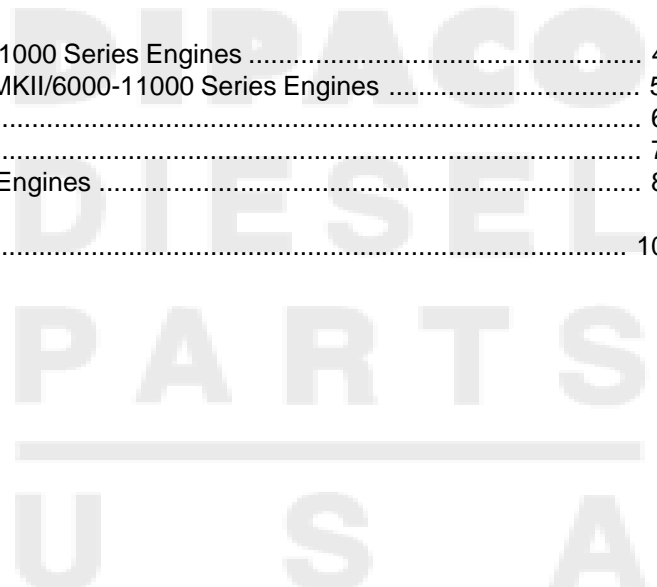
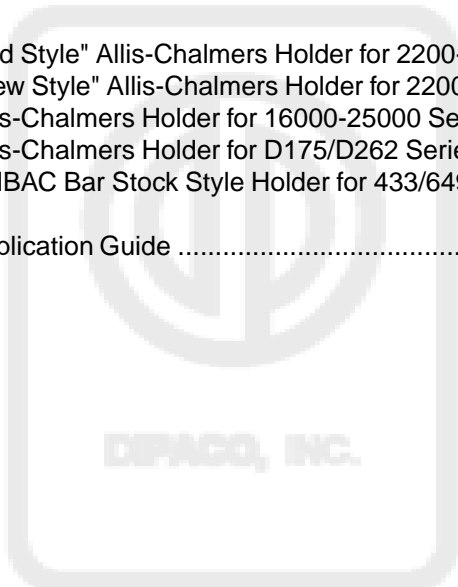




## TABLE OF CONTENTS

---

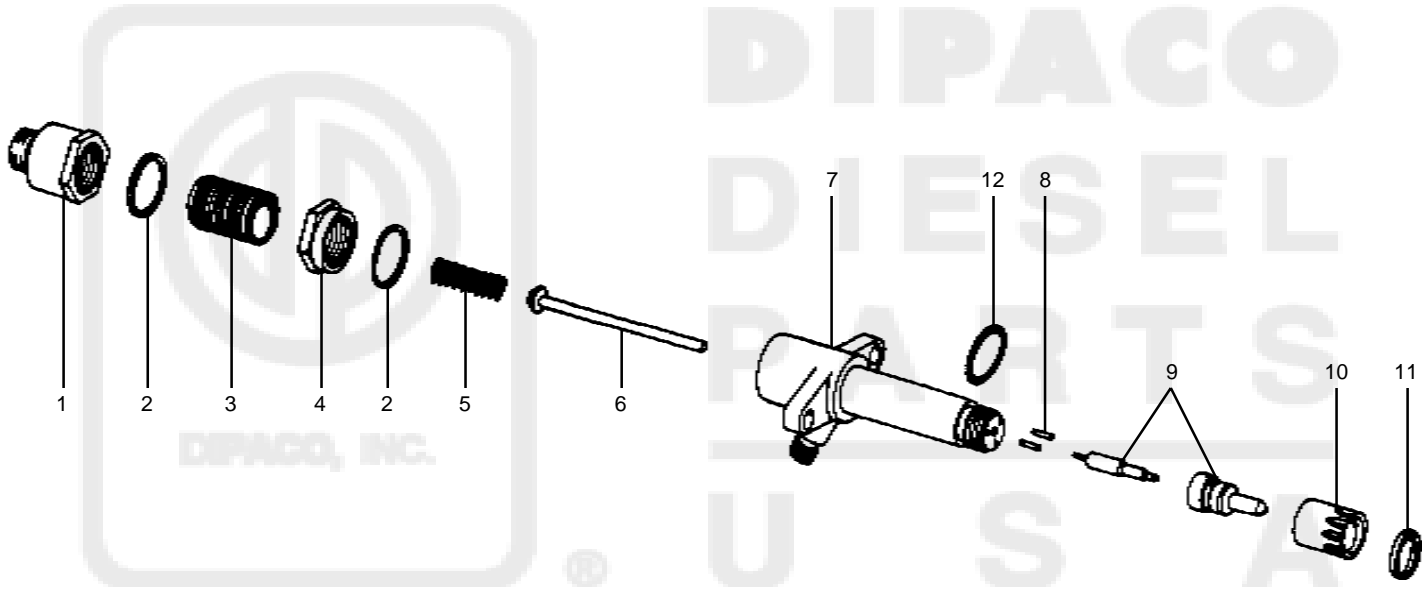
DESCRIPTION	PAGE
"Old Style" Allis-Chalmers Holder for 2200-3500/6000-11000 Series Engines .....	4
"New Style" Allis-Chalmers Holder for 2200-3500/2900 MKII/6000-11000 Series Engines .....	5
Allis-Chalmers Holder for 16000-25000 Series Engines .....	6
Allis-Chalmers Holder for D175/D262 Series Engines .....	7
AMBAC Bar Stock Style Holder for 433/649/670 Series Engines .....	8
Application Guide .....	10





**DIPACO**  
**DIESEL**  
**PARTS**  
**U S A**

**"OLD STYLE" ALLIS-CHALMERS HOLDER**  
**2200-3500/6000-11000 ENGINES**



REF	PART	DESCRIPTION	QTY
1	4396054	CAP NUT	1
2	4511243	CAP NUT GASKET	2
3	4378033	ADJUSTING SCREW	1
4	4517266	LOCKING NUT	1
5	4380652	SPRING	1
6	4025148	SPINDLE ROD <i>2200-3500 Engines</i>	1
6	4380656	SPINDLE ROD <i>6000-11000 Engines</i>	1
7		NOZZLE HOLDER BODY <i>Not serviced separately</i>	1
8	922943	DOWEL PIN	2
9	See Application Guide	NOZZLE ASSEMBLY	1
10	4025146	NOZZLE RETAINING NUT <i>2200-3500 Engines</i>	1
10	4380662	NOZZLE RETAINING NUT <i>6000-1100 Engines</i>	1
11	4025150	NOZZLE GASKET <i>2200-3500 Engines</i>	1
11	4378031	NOZZLE GASKET <i>6000-11000 Engines</i>	1

REF	PART	DESCRIPTION	QTY
12	4025385	DUST SHIELD	2

DIPACO, Inc.

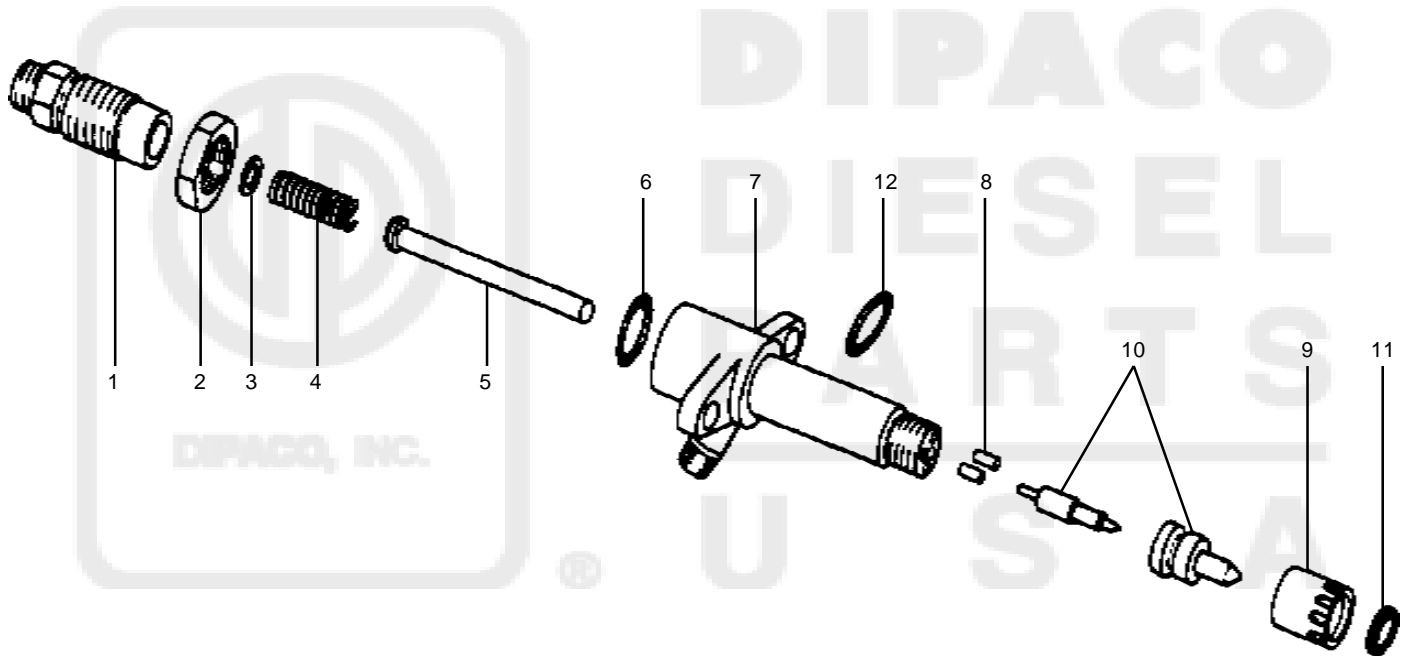
105 East Parr Boulevard, Reno, Nevada 89512 USA

www.dipaco.com ■ sales@dipaco.com

Telephone: (775) 329-7511 ■ Fax: (775) 329-9740 ■ Toll Free: (800) 648-4720 ■ Toll Free Fax: (888) 320-7761



**"NEW STYLE" ALLIS-CHALMERS HOLDER**  
**2200-3500/2900MKII/6000-11000 ENGINES**



REF	PART	DESCRIPTION	QTY
1	4023570	PRESSURE ADJUSTING SCREW	1
2	4517266	LOCK NUT	1
3	4023571	PRESSURE ADJ. SPRING WASHER	1
4	4380652	PRESSURE ADJUSTING SPRING	1
5	4025148	SPINDLE ROD	1
5	4380656	SPINDLE ROD <i>2200-3500/2900 MKII Engines</i> <i>6000-11000 Engines</i>	
6	930506	O RING	1
7		NOZZLE HOLDER BODY <i>Not serviced separately</i>	1
8	922943	DOWEL PIN	2
9	4025146	NOZZLE RETAINING NUT <i>2200-3500 Engines</i>	1
9	4024011	NOZZLE RETAINING NUT <i>2900 MKII Engines</i>	1
9	4380662	NOZZLE RETAINING NUT <i>6000-11000 Engines</i>	1
10	See Application Guide	NOZZLE ASSEMBLY	1
11	4025150	NOZZLE GASKET <i>2200-3500 Engines</i>	1

REF	PART	DESCRIPTION	QTY
11	4378031	NOZZLE GASKET <i>6000-11000 Engines</i> <i>The 2900 MKII eng and 5455B/605 tractors do not use a nozzle gasket.</i>	1
12	4025385	DUST SHIELD <i>2200-3500/6000-11000 Engines</i>	2
12	4024010	DUST SHIELD <i>2900 MKII Engines</i>	1
-	4060859	HOLDER ASSEMBLY - LESS NOZZLE <i>2200-3500 Engines</i>	1
-	4060908	HOLDER ASSEMBLY - LESS NOZZLE <i>6000-11000 Engines</i>	1
-	4007968	HOLDER ASSEMBLY - LESS NOZZLE <i>2900 MKII Engines</i>	1

DIPACO, Inc.

105 East Parr Boulevard, Reno, Nevada 89512 USA

www.dipaco.com ■ sales@dipaco.com

Telephone: (775) 329-7511 ■ Fax: (775) 329-9740 ■ Toll Free: (800) 648-4720 ■ Toll Free Fax: (888) 320-7761



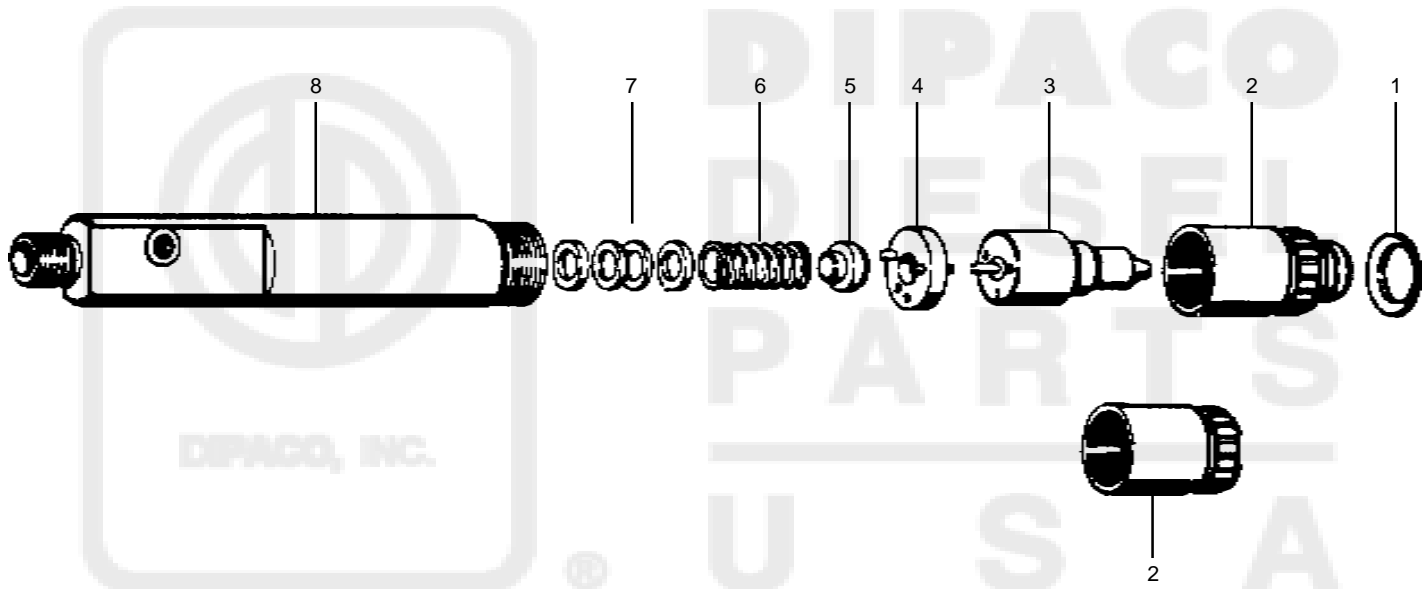






**DIPACO**  
**DIESEL**  
**PARTS**  
**U S A**

**AMBAC BAR STOCK STYLE HOLDER**  
**433/649/670 ENGINES**



REF	PART	DESCRIPTION	QTY
1	4025150	GASKET	1
2	4062808	RETAINING NUT, HEAT SHIELD	1
2	4063244	RETAINING NUT, TAPERED	1
3	See Application Guide	NOZZLE ASSEMBLY	1
4	4062807	SPACER ASSEMBLY	1
5	4062806	SPRING SEAT	1
6	4062805	SPRING	1
7	AKN85SM-6852A	HOLDER BODY	1
8	4062761	SHIM KIT	1

REF	PART	DESCRIPTION	QTY

DIPACO, Inc.

105 East Parr Boulevard, Reno, Nevada 89512 USA

www.dipaco.com ■ sales@dipaco.com

Telephone: (775) 329-7511 ■ Fax: (775) 329-9740 ■ Toll Free: (800) 648-4720 ■ Toll Free Fax: (888) 320-7761



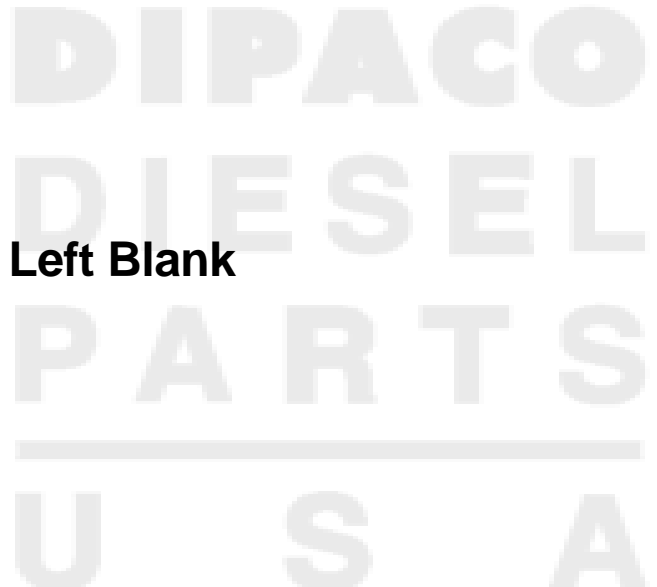
**DIPACO**  
**DIESEL**  
**PARTS**  

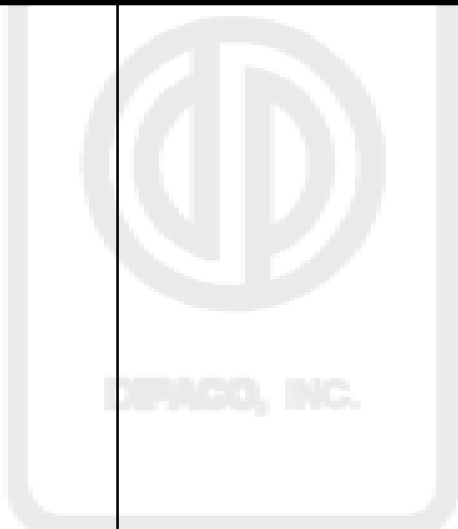
---

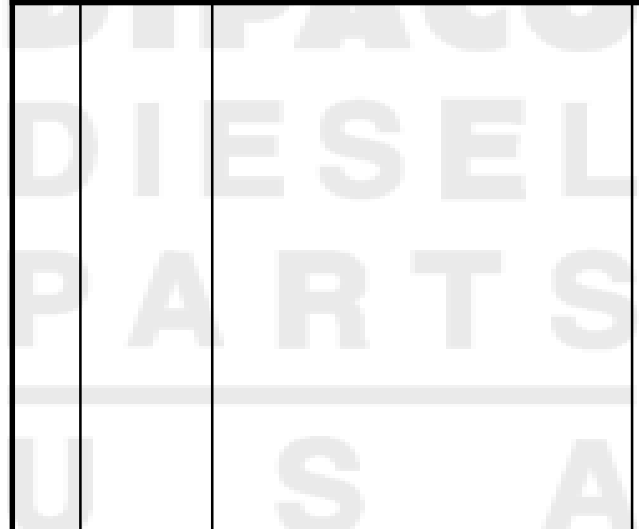
**U S A**



**This Page Left Blank**



REF	PART	DESCRIPTION	QTY
			

REF	PART	DESCRIPTION	QTY
			

DIPACO, Inc.

105 East Parr Boulevard, Reno, Nevada 89512 USA

[www.dipaco.com](http://www.dipaco.com) ■ [sales@dipaco.com](mailto:sales@dipaco.com)

Telephone: (775) 329-7511 ■ Fax: (775) 329-9740 ■ Toll Free: (800) 648-4720 ■ Toll Free Fax: (888) 320-7761



**DIPACO**  
**DIESEL**  
**PARTS**  
**U S A**

## APPLICATION GUIDE

See Page 19 For Application Guide Notes

APPLICATION AND ENGINE	HOLDER ASSY	NOZZLE	HOLDER	NOZZLE GASKET	DUST SHIELD	OPENING PRESSURE	TORQUE	
							RET NUT	CAP NUT
<b>D15 TRACTOR</b>								
<b>D175 ENGINE</b>								
PRIOR TO ENG S/N D05033	4511200	4050032	4060858	4511204	-	2175±25	70	70
EFF ENG S/N D05033 UP	4516394	4516393	4060858	4511204	-	2175±25	70	70
<b>D17 WHEEL TRACTOR</b>								
<b>D262 ENGINE</b>								
PRIOR S/N D01680	4511200	4050032	4060858	4511204	-	2175±25	70	70
S/N D01680 UP	4516394	4516393	4060858	4511204	-	2175±25	70	70
<b>D19 WHEEL TRACTOR</b>								
<b>D262 ENGINE</b>								
PRIOR S/N D01499	4511200	4050032	4060858	4511204	-	2175±25	70	70
EFF S/N D01499 UP	4516394	4516393	4060858	4511204	-	2175±25	70	70
<b>D21 TRACTOR</b>								
<b>3400 ENGINE</b>	4026576	4035507	4060859 (A)	4025150	4025385	2825±25	50	70
<b>3400 MKII ENGINE</b>	4027880	4035507	4060859 (A)	4025150	4025385	2825±25	50	70
<b>3500 ENGINE</b>	4022904	4036044	4060859 (A)	4025150	4025385	3125±25	50	70
<b>160, 170, 175 TRACTOR</b>	CAV FUEL SYSTEM							
<b>180, 185 TRACTOR</b>								
<b>2800 ENGINE</b>								
PRIOR S/N 15561	4022901	4007218	4060859 (A)	4025150	4025385	2825±25	50	70
S/N 15561 UP	USE AMBAC STYLE HOLDER AND NOZZLE ASSEMBLY							
<b>190, 190XT, 190XT III TRACTOR</b>								
<b>2800 ENGINE</b>	4022901	4007218	4060859 (A)	4025150	4025385	2825±25	50	70
<b>2800 MKII ENGINE</b>	4024028	4007223	4007968	-	4024010	3475±25	50	50
<b>2900 ENGINE</b>	4022904	4036044	4060859 (A)	4025150	4025385	3125±25	50	70
<b>200 TRACTOR</b>								
<b>2900 ENGINE</b>	4022904	4036044	4060859 (A)	4025150	4025385	3125±25	50	70
<b>210, 220 TRACTOR</b>								
<b>3500 ENGINE</b>	4027883	4035508	4060859 (A)	4025150	4025385	3125±25	50	70
<b>440 TRACTOR</b>	CUMMINS ENGINE							
<b>5040, 5045 TRACTOR</b>	CAV FUEL SYSTEM							
<b>5050, 6040 TRACTOR</b>	FIAT ENGINE							
<b>6060, 6070, 6080 TRACTOR</b>								
<b>433/2200 ENGINE</b>	4063575	4063245	(B)	4009035	4009040	3975±75	30-35	-
	4063266	4063329	(B)	4009035	4009040	3950±60	30-35	-
<b>7000 TRACTOR</b>								
<b>649I ENGINE</b>								
PRIOR S/N 2556	4023489	4007224	4007968	-	4024010	3675±25	50	50
S/N 2556 UP			(B)					

DIPACO, Inc.

105 East Parr Boulevard, Reno, Nevada 89512 USA

www.dipaco.com ■ sales@dipaco.com

Telephone: (775) 329-7511 ■ Fax: (775) 329-9740 ■ Toll Free: (800) 648-4720 ■ Toll Free Fax: (888) 320-7761



## APPLICATION GUIDE

See Page 19 For Application Guide Notes

APPLICATION AND ENGINE	HOLDER ASSY	NOZZLE	HOLDER	NOZZLE GASKET	DUST SHIELD	OPENING PRESSURE	TORQUE	
							RET NUT	CAP NUT
<b>7010 TRACTOR</b> <b>649T ENGINE</b> PRIOR S/N 2556 S/N 2556 UP	4006797 4063575 4063266	4007225 4063245 4063329	4007968 (B) (B)	- 4009035 4009035	4024010 4009040 4009040	4025±25 3975±75 3950±60	50 30-35 30-35	50 - -
<b>7020 WHEEL TRACTOR</b> <b>649I ENGINE</b> PRIOR S/N 4392 S/N 4392 UP	4006797 4063575 4063266	4007225 4063245 4063329	4007968 (B) (B)	- 4009035 4009035	4024010 4009040 4009040	4025±25 3975±75 3950±60	50 30-35 30-35	50 - -
<b>7030, 7040, 7050 TRACTOR</b> <b>3500/3700 ENGINES</b>	4022904	4036044	4060859 (A)	4025150	4025385	3125±25	50	70
<b>7045 TRACTOR</b> <b>670T ENGINE</b> PRIOR S/N 3732 S/N 3732 UP	4022904 4036654	4036044 4036653	4060859 (A) (B)	4025150 4025150	4025385 4009040	3125±25 3950±50	50 30-35	70 -
<b>7050 TRACTOR</b> <b>3700 ENGINE</b> PRIOR S/N 3D-53558 S/N 3D-53558 UP	4027883 4036654	4035508 4036653	4060859 (A) (B)	4025150 4025150	4025385 4009040	3125±25 3950±50	50 30-35	70 -
<b>7060 TRACTOR</b> <b>3700 ENGINE</b>	4029898	4036044	4060859 (A)	4025150	4025385	3825±25	60	60
<b>7080 TRACTOR</b> <b>3750 ENGINE</b> PRIOR S/N 3718 S/N 3718 UP	4029013 4036652	4035509 4036651	4060859 (A) (B)	4025150 4025150	4025385 4009040	3825±25 4275±75	50 30-35	50 -
<b>8010 WHEEL TRACTOR</b> <b>649T ENGINE</b>	4063575 4063266	4063245 4063329	(B) (B)	4009035 4009035	4009040 4009040	3975±75 3950±60	30-35 30-35	- -
<b>8030, 8050, 8070, 4W220 WHEEL TRACTOR</b> <b>670I/670T ENGINES</b>	4036652	4036651	(B)	4025150	4009040	4275±75	30-35	-
<b>4W305 WHEEL TRACTOR</b> <b>6120 ENGINE</b>	4391957	4396702	(B)	4378031	-	4125±25	75	50
<b>A, R COMBINE</b> <b>D262 ENGINE</b> PRIOR S/N 122396	4511200	4050032	4060858	4511204	-	2175±25	70	70
<b>A COMBINE</b> <b>D262 ENGINE</b> S/N D01681 UP	4516394	4516393	4060858	4511204	-	2175±25	70	70
<b>C, CII COMBINE</b> <b>D262 ENGINE</b> PRIOR ENG S/N D01499 EFF ENG S/N D01499 UP	4511200 4516394	4050032 4516393	4060858 4060858	4511204 4511204	- -	2175±25 2175±25	70 70	70 70

DIPACO, Inc.

105 East Parr Boulevard, Reno, Nevada 89512 USA

www.dipaco.com ■ sales@dipaco.com

Telephone: (775) 329-7511 ■ Fax: (775) 329-9740 ■ Toll Free: (800) 648-4720 ■ Toll Free Fax: (888) 320-7761



**DIPACO**  
**DIESEL**  
**PARTS**  
**U S A**

**APPLICATION GUIDE**

See Page 19 For Application Guide Notes

APPLICATION AND ENGINE	HOLDER ASSY	NOZZLE	HOLDER	NOZZLE GASKET	DUST SHIELD	OPENING PRESSURE	TORQUE RET NUT	TORQUE CAP NUT
<b>E COMBINE</b>	GASOLINE	MODEL						
<b>EIII COMBINE</b>	GASOLINE	MODEL						
<b>F COMBINE</b> <b>2800 ENGINE</b>	4023577	4007218	4060859	4025150	4025385	3475±25	50	50
<b>FII COMBINE</b> <b>2800 ENGINE</b> PRIOR S/N 48201 S/N 48201 UP	4023577 4063575 4063266	4007218 4063245 4063329	4060859 (B) (B)	4025150 4009035 4009035	4025385 4009040 4009040	3475±25 3975±25 3950±25	50 30-35 30-35	50 - -
<b>FIII COMBINE</b> <b>2800 ENGINE</b> S/N 49601 UP	4063575 4063266	4063245 4063329	(B) (B)	4009035 4009035	4009040 4009040	3975±25 3950±25	30-35 30-35	- -
<b>G COMBINE</b> <b>2900 ENGINE</b> PRIOR S/N 17001 S/N 17001 UP	4022904 4023069	4036044 4036044	4060859 (A) 4060859 (A)	4025150 4025150	4025385 4025385	3125±25 3425±25	50 60	70 60
<b>KII COMBINE</b> <b>2200 ENGINE</b> PRIOR S/N 25201 S/N 25201 UP	GASOLINE 4007968 4063575 4063266	MODEL 4007224 4063245 4063329	4007968 (B) (B)	- 4009035 4009035	4024010 4009040 4009040	3425±25 3975±25 3950±25	50 30-35 30-35	50 - -
<b>L COMBINE</b> <b>2900 ENGINE</b> PRIOR ENG S/N 13000 W/D2900 W/158 H.P. D3500 "ROOSA"	4023489 4022904	4007224 4036044	4007968 4060859 (A)	- 4025150	4024010 4025385	3425±25 3125±25	50 50	50 70
<b>LII COMBINE</b> TRACTOR S/N 13001-15500 <b>670T ENGINE</b> PRIOR S/N 70-11322 (C) <b>670T ENGINE</b> S/N 70-11322 UP (C)	- 4036042 4036654	4007225 4036044 4036653	4007968 4060859 (A) (B)	- 4025150 4025150	4024010 4025385 4009040	3425±25 3850±25 3950±25	50 50 30-35	50 50 -
<b>LIII COMBINE</b> TRACTOR S/N 28001 <b>649I/T ENGINE</b> TYPE "E" <b>649I/T ENGINE</b> TYPE "K" <b>670T ENGINE</b>	4063565 4063577 4036652	4063350 4063350 4036651	(B) (B) (B)	- - 4025150	4009040 4009040 4009040	3950±25 3950±25 4275±25	30-35 30-35 30-35	- - -
<b>M COMBINE</b> <b>2900MKII ENGINE</b> PRIOR TRACTOR S/N 15400 MKI 120 H.P. W/ROOSA M II 130 H.P.	4022904 4023489	4036044 4007224	4060859 (A) 4007968	4025150 -	4024010 4024010	3125±25 3425±25	50 50	70 50

DIPACO, Inc.

105 East Parr Boulevard, Reno, Nevada 89512 USA

www.dipaco.com ■ sales@dipaco.com

Telephone: (775) 329-7511 ■ Fax: (775) 329-9740 ■ Toll Free: (800) 648-4720 ■ Toll Free Fax: (888) 320-7761



**APPLICATION GUIDE**

See Page 19 For Application Guide Notes

APPLICATION AND ENGINE	HOLDER ASSY	NOZZLE	HOLDER	NOZZLE GASKET	DUST SHIELD	OPENING PRESSURE	TORQUE	
							RET NUT	CAP NUT
<b>MII COMBINE</b>								
<b>2900 ENGINE</b>								
TRACTOR S/N 15401-18400	-	4007225	4007968	-	4024010	3425±25	50	50
TRACTOR S/N 22101-23801	4009013	4029014	4060859 (A)	4025150	4024010	3825±25	50	50
	4063266	4063329	(B)	4009035	4009040	3950±60	30-35	-
	4063575	4063245	(B)	4009035	4009040	3975±75	30-35	-
<b>N V COMBINE</b>								
<b>670 ENGINE</b>								
PRIOR S/N 70-11332	4022904	4036044	4060859 (A)	4025150	4025385	3125±25	50	70
S/N 70-11332 UP	4036654	4036653	(B)	4025150	4009040	3950±25	30-35	-
COMBINE S/N 6101 UP	4036652	4036651	(B)	4025150	4009040	4275±75	30-35	-
<b>N VI COMBINE</b>								
<b>670 ENGINE</b>								
	4036652	4036651	(B)	4025150	4009040	4275±75	30-35	-
<b>N VII COMBINE</b>								
<b>685I ENGINE</b>								
PRIOR TRACTOR S/N 4500	4322412	4322227	(B)	4378031	4322607	3850±25	30-35	-
TRACTOR S/N 4501 UP	4322412	4322227	(B)	4378031	4322607	3850±25	30-35	-
PRIOR S/N 85-02441	4322412	4322227	(B)	4378031	4025385	3850±25	30-35	-
<b>HD3 CRAWLER</b>								
<b>D175 ENGINE</b>								
PRIOR S/N D05033	4511200	4050032	4060858	4511204	-	2175±25	70	70
S/N D05034 UP	4516394	4516393	4060858	4511204	-	2175±25	70	70
<b>HD4 CRAWLER</b>								
<b>433/2200 ENGINE</b>								
	4022901	4007218	4060859 (A)	4025150	4025385	2825±25	50	70
<b>HD6 CRAWLER</b>								
<b>344/516 ENGINE</b>								
PRIOR S/N 13322	4346227	4050594	4040553	4511204	4025385	2825±25	50	60
<b>HD6G CRAWLER</b>								
<b>344/516 ENGINE PRIOR S/N 13322</b>								
	4346227	4050594	4040553	4511204	4025385	2825±25	50	60
<b>6000/7000 ENGINE S/N 6-15383 UP</b>								
	4359369	4321933	4060908	4378031	4025385	3825±25	50	70
<b>HD6A, AG, B, E, EP CRAWLER</b>								
<b>6000 ENGINE</b>								
PRIOR S/N 6-15383	4359369	4321933	4060908	4378031	4025385	3825±25	50	70
<b>HD7G CRAWLER</b>								
<b>6000/7000 ENGINE</b>								
PRIOR S/N 7-15384	4359369	4321933	4060908	4378031	4025385	3825±25	50	70
S/N 7-15384 UP	4359369	4321933	4060908	4378031	4025385	3825±25	50	70
<b>HD7G-B CRAWLER</b>								
<b>3500 ENGINE</b>								
PRIOR S/N 3D-15949	4027883	4035508	4060859 (A)	4025150	4025385	3125±25	50	70
S/N 3D-15949-3D-18869	4028860	4035508	4060859 (A)	4025150	4025385	3125±25	50	50
S/N 3D-18870 UP	4027883	4035508	4060859 (A)	4025150	4025385	3125±25	50	70

DIPACO, Inc.

105 East Parr Boulevard, Reno, Nevada 89512 USA

www.dipaco.com ■ sales@dipaco.com

Telephone: (775) 329-7511 ■ Fax: (775) 329-9740 ■ Toll Free: (800) 648-4720 ■ Toll Free Fax: (888) 320-7761



**DIPACO**  
**DIESEL**  
**PARTS**  
**U S A**

## APPLICATION GUIDE

See Page 19 For Application Guide Notes

APPLICATION AND ENGINE	HOLDER ASSY	NOZZLE	HOLDER	NOZZLE GASKET	DUST SHIELD	OPENING PRESSURE	TORQUE	
							RET NUT	CAP NUT
<b>HD11B, E, EC, ES, S, F, FC, CRAWLER</b> 344/516 ENGINE S/N 101-6427 10000/11000 ENGINE S/N 6428-12201	4346227	4050594	-	4511204	4025385	2850±50	50	60
	4359369	4321933	4060908	4378031	4025385	2825±25	50	70
<b>D11G. GC CRAWLER</b> 10000 ENGINE S/N 10-7107 UP	4359369	4321933	4060908	4378031	4025385	3825±25	50	70
<b>HD11EP CRAWLER</b> 685T/10000/11000 PRIOR S/N 12201 S/N 12201 UP	4354783	4321933	4060908 (A)	4378031	4025385	2825±25	50	70
	4354785	4321932	4060908 (A)	4378031	4025385	2825±25	50	70
<b>HD11E, ES, AG CRAWLER</b> 10000/11000 ENGINES S/N 12201 UP	4359370	4321932	4060908 (A)	4378031	4025385	2825±25	50	70
<b>HD11B CRAWLER</b> 11000 ENGINE PRIOR S/N 11-18999 S/N 11-18882-18934 S/N 11-18999-20378 S/N 11-20378 UP	4359401	4321932	4060908 (A)	4378031	4025385	3825±25	50	70
	4359396	4321933	4060908 (A)	4378031	4025385	3825±25	50	70
	4359396	4321933	4060908 (A)	4378031	4025385	3825±25	50	70
	4320642	4321935	4060908 (A)	4378031	4025385	3825±25	50	70
<b>HD 12G CRAWLER</b> 685T/10000/11000 ENGINE S/N 43C1001 UP	4359401	4321932	4060908 (A)	4378031	4025385	3825±25	50	70
<b>HD12GB CRAWLER</b> 685T/10000/11000 ENGINE	4359396	4321933	4060908 (A)	4378031	4025385	3825±25	50	70
<b>HD16 CRAWLER</b> 844 ENGINE PRIOR TRACTOR S/N 4001	4320642	4321935	4060908 (A)	4378031	-	3825±25	50	70
<b>HD16GC CRAWLER</b> 16000 ENGINE	4390623	4378021	4062106	4378031	-	2825±25	70	70
<b>HD16D, DC, DP CRAWLER</b> 16000/21000/25000/6120/6138 ENGINE PRIOR S/N 16-05069 S/N 16-05069-08963 S/N 16-08964-19862 S/N 16-09863 UP (D)	4390624	4378020	4062106	4378031	-	2825±25	70	70
	4390625	4396702	4062106	4378031	-	3825±25	70	70
	4391957	4396702	4062106	4378031	-	4125±25	75	75
	4392121	4396702	4396701	4378031	-	4125±25	75	75
<b>HD16B CRAWLER</b> 16000/21000/25000/6120/6138 ENGINE (D)	4392121	4396702	4396701	4378031	-	4125±25	75	75
<b>HD21A, F CRAWLER</b> 16000/21000/25000 ENGINES PRIOR TRACTOR S/N 11001	4363761	4050594	-	4511204	-	2150±50	50	60

DIPACO, Inc.

105 East Parr Boulevard, Reno, Nevada 89512 USA

www.dipaco.com ■ sales@dipaco.com

Telephone: (775) 329-7511 ■ Fax: (775) 329-9740 ■ Toll Free: (800) 648-4720 ■ Toll Free Fax: (888) 320-7761



**APPLICATION GUIDE**

See Page 19 For Application Guide Notes

APPLICATION AND ENGINE	HOLDER ASSY	NOZZLE	HOLDER	NOZZLE GASKET	DUST SHIELD	OPENING PRESSURE	TORQUE	
							RET NUT	CAP NUT
<b>HD21G CRAWLER</b>								
<b>16000/21000/25000 ENGINES</b>								
TRACTOR S/N 11001-12801	4390624	4378020	4062106	4378031	-	2825±25	70	70
PRIOR S/N 21-3380	4390624	4378020	4062106	4378031	-	2825±25	70	70
S/N 21-3814-3833	4390624	4378020	4062106	4378031	-	2825±25	70	70
<b>HD21A CRAWLER</b>								
<b>16000/21000/25000 ENGINES</b>								
S/N 12801 UP (D)	4390625	4396702	4062106	4378031	-	3825±25	70	70
<b>HD21P CRAWLER</b>								
<b>16000/21000/25000/6120/6138</b>								
S/N 12904-14605	4390625	4396702	4062106	4378031	-	3825±25	70	70
S/N 14606-16000 (D)	4391957	4396702	4062106	4378031	-	4125±25	75	75
<b>HD21B CRAWLER</b>								
<b>16000/21000/25000/6120/6138</b>								
S/N 16005 UP (D)	4392121	4396702	4396701	4378031	-	4125±25	75	75
<b>HD21C CRAWLER</b>								
<b>25000 ENGINE</b>								
S/N 71A21001 UP	4392121	4396702	4396701	4378031	-	4125±25	75	75
<b>TL12D LOADER</b>								
<b>D262 ENGINE</b>								
LOADER S/N 2003 UP	4511200	4050032	4060858	4511204	-	2175±25	70	70
PRIOR S/N 122405	4511200	4050032	4060858	4511204	-	2175±25	70	70
S/N 122405 UP	4516394	4516393	4060858	4511204	-	2175±25	70	70
<b>TL14D LOADER</b>								
<b>D262 ENGINE LOADER S/N 1525 UP</b>								
	4359369	4321933	4060908 (A)	4378031	4025385	3825±25	50	70
<b>TL16D LOADER</b>								
<b>6000/7000 ENGINE LOADER S/N 1801 UP</b>								
	4359369	4321933	4060908 (A)	4378031	4025385	3825±25	50	70
<b>TL20D LOADER</b>								
<b>516 ENGINE</b>								
LOADER S/N 536 UP	4346227	4050594	-	4511204	4025385	2150±50	50	60
PRIOR S/N 108983	4346227	4050594	-	4511204	4025385	2150±50	50	60
S/N 108983-116788	4336039	4050594	4060908 (A)	4511204	4025385	2150±50	50	60
S/N 116789-118346	4359369	4321933	4060908 (A)	4378031	4025385	3825±25	50	70
S/N 118347 UP	4359369	4321933	4060908 (A)	4378031	4025385	3825±25	50	70
<b>TL30D LOADER</b>								
<b>685T/10000/11000 ENGINE</b>								
PRIOR S/N 118347	4359369	4321933	4060908 (A)	4378031	4025385	3825±25	50	70
S/N 118347 UP	4359369	4321933	4060906 (A)	4378031	4025385	3825±25	50	70
<b>TL40D LOADER</b>								
<b>16000/21000/25000/6120/6138 ENGINE</b>								
	4390625	4396702	4062106	4378031	-	3825±25	70	70
<b>345 LOADER</b>								
<b>2800 ENGINE</b>								
PRIOR S/N 3D-99234	4023577	4007218	4060859	4025150	4025385	3475±25	50	50
S/N 3D-99234 UP	4007219	4007218	4060859	4025150	4025385	3475±25	50	50

DIPACO, Inc.

105 East Parr Boulevard, Reno, Nevada 89512 USA

www.dipaco.com ■ sales@dipaco.com

Telephone: (775) 329-7511 ■ Fax: (775) 329-9740 ■ Toll Free: (800) 648-4720 ■ Toll Free Fax: (888) 320-7761





**DIPACO**  
**DIESEL**  
**PARTS**  
**U S A**

**APPLICATION GUIDE**

See Page 19 For Application Guide Notes

APPLICATION AND ENGINE	HOLDER ASSY	NOZZLE	HOLDER	NOZZLE GASKET	DUST SHIELD	OPENING PRESSURE	TORQUE	
							RET NUT	CAP NUT
<b>545, 545H LOADER</b>								
<b>2900 ENGINE</b>								
PRIOR TO SERIES B	4022904	4036044	4060859 (A)	4025150	4025385	3125±25	50	70
PRIOR S/N 2D-53675	4022904	4036044	4060859 (A)	4025150	4025385	3125±25	50	70
S/N 2D-53675 UP	4023568	4036044	4060859 (A)	4025150	4025385	3125±25	60	60
<b>545B, 605B LOADER</b>								
<b>2900 MKII ENGINE</b> PRIOR S/N 2D-83104	4023489	4007224	4007968	-	4024010	3475±25	50	50
<b>2900 MKII ENGINE</b> S/N 2D-83104 UP	4006748	4007224	4007968	-	4024010	3475±25	50	50
<b>649T ENGINE</b>	4024033	4007225	4007968	-	4024010	3475±25	50	50
<b>645 WHEEL LOADER</b>								
<b>3400/3500/3500MKII/3700/670 ENGINE</b>								
PRIOR S/N 3D-10184	4023568	4036044	4060859	4025150	4025385	3125±25	60	60
S/N 3D-10184 UP	4027883	4035508	4060859 (A)	4025150	4025385	3125±25	50	70
<b>645B WHEEL LOADER</b>								
<b>3400/3500/3500MKII/3700/670 ENGINE</b>								
S/N 11Y03501 UP	4029013	4035509	4060859	4025150	4025385	3825±25	50	50
S/N 16L03501 UP	4029013	4035509	4060859	4025150	4025385	3825±25	50	50
<b>745, 745H LOADER</b>								
<b>685T/10000/11000 ENGINE</b>								
PRIOR S/N 11-12871	4359370	4321932	4060908 (A)	4378031	4025385	2850±50	50	70
S/N 11-12871-18335	4359401	4321932	4060908 (A)	4378031	4025385	3825±25	50	70
S/N 11-18336-18779	4359396	4321933	4060908 (A)	4378031	4025385	3825±25	50	70
S/N 11-18780-20377	4359401	4321932	4060908 (A)	4378031	4025385	3825±25	50	70
S/N 11-20378 UP	4320642	4321935	4060908 (A)	4378031	4025385	3825±25	50	70
<b>745B, 745HB LOADER</b>								
<b>685T/10000/11000 ENGINE</b>								
S/N 72C02901 UP	4320642	4321935	4060908 (A)	4378031	4025385	3825±25	50	70
S/N 62Y02901 UP	4320642	4321935	4060908 (A)	4378031	4025385	3825±25	50	70
S/N 94A02901 UP	4320642	4321935	4060908 (A)	4378031	4025385	3825±25	50	70
<b>745C LOADER</b>								
<b>685T/10000/11000 ENGINE</b>								
S/N 64M03651 UP	4320642	4321935	4060908 (A)	4378031	4025385	3825±25	50	70
S/N 22Y03651 UP	4320642	4321935	4060908 (A)	4378031	4025385	3825±25	50	70
<b>945, 945B LOADER</b>								
<b>16000/21000/25000/6120/6138 ENGINE</b>								
PRIOR S/N 25-06564	4392121	4396702	4396701	4378031	-	4125±25	75	75
S/N 25-06565 UP	4392121	4396702	4396701	4378031	-	4125±25	75	75
<b>ACC 60, 70 FORKLIFT</b>								
<b>D262 ENGINE</b>	4516394	4516393	4060858	4511204	-	2175±25	70	70
<b>ACC 80, 100CD FORKLIFT</b>								
<b>D262 ENGINE</b>	4516394	4516393	4060858	4511204	-	2175±25	70	70

DIPACO, Inc.

105 East Parr Boulevard, Reno, Nevada 89512 USA

www.dipaco.com ■ sales@dipaco.com

Telephone: (775) 329-7511 ■ Fax: (775) 329-9740 ■ Toll Free: (800) 648-4720 ■ Toll Free Fax: (888) 320-7761



## APPLICATION GUIDE

See Page 19 For Application Guide Notes

APPLICATION AND ENGINE	HOLDER ASSY	NOZZLE	HOLDER	NOZZLE GASKET	DUST SHIELD	OPENING PRESSURE	TORQUE	
							RET NUT	CAP NUT
<b>DD GRADER</b>								
<b>D262 ENGINE</b>								
PRIOR S/N 98590	4500533	4050032	4060858	4511204	-	2150±25	70	70
EFF ENG S/N 98590 UP	4511200	4050032	4060858	4511204	-	2175±25	70	70
EFF ENG S/N 2573 UP	4516394	4516393	4060858	4511204	-	2175±25	70	70
<b>65 GRADER</b>								
<b>D262 ENGINE</b>								
S/N 24A00201 UP	4516394	4516393	4060858	4511204	-	2175±25	70	70
S/N 56Y02201 UP	4516394	4516393	4060858	4511204	-	2175±25	70	70
<b>65B GRADER</b>								
<b>D262 ENGINE</b>								
S/N 62S02401 UP	BOSCH - OMAP - CAV - FIAT -	00771065 00770958 00770899 007677451						
<b>M100, M100B GRADER</b>								
<b>685T/10000/11000 ENGINE</b>								
PRIOR GRADER S/N 1209	4354783	4321933	4060908 (A)	4378031	4025385	2825±25	50	70
GRADER S/N 1209 UP	4354785	4321932	4060908 (A)	4378031	4025385	2825±25	50	70
S/N 67S05001-06588	4354785	4321932	4060908 (A)	4378031	4025385	2825±25	50	70
S/N 67S06589 UP	4359396	4321933	4060908 (A)	4378031	4025385	2825±25	50	70
<b>MD100C GRADER</b>								
<b>685T/10000/11000 ENGINE</b>								
ENGINE S/N 27Y08001 UP	4320642	4321935	4060908	4378031	4025385	3825±25	50	70
<b>M150C, 200C GRADER</b>								
<b>685T/10000/11000 ENGINE</b>								
S/N 99C01001 UP	4320642	4321935	4060908	4378031	4025385	3825±25	50	70
S/N 90M01001 UP	4320642	4321935	4060908	4378031	4025385	3825±25	50	70
<b>260 SCRAPER</b>								
<b>16000 ENGINE</b>								
	4390623	4378021	4062106	4378031	-	2825±25	70	70
<b>15000 ENGINE</b>								
	4390624	4378020	4062106	4378031	-	2825±25	70	70
<b>260A, AE SCRAPER</b>								
<b>19000/25000 ENGINES</b>								
SCRAPER S/N 8001-9000	4391957	4396702	4062106	4378031	-	4125±25	75	75
S/N 59L06001 UP	4391957	4396702	4062106	4378031	-	4125±25	75	75
PRIOR S/N 21-10115	4391957	4396702	4062106	4378031	-	4125±25	75	75
S/N 21-10115 UP (D)	4392121	4396702	4396701	4378031	-	4125±25	75	75
<b>260B SCRAPER</b>								
<b>6138I/25000 MKII ENGINES</b>								
S/N 29M00101 UP	4392121	4396702	4396701	4378031	-	4125±25	75	75
<b>260E SCRAPER</b>								
<b>19000 ENGINES</b>								
PRIOR S/N 19-01765	4390625	4396702	4062106	4378031	-	3825±25	70	70
S/N 19-01765-01868	4390625	4396702	4062106	4378031	-	3825±25	70	70
S/N 19-01869 UP (D)	4391957	4396702	4062106	4378031	-	4125±25	75	75

DIPACO, Inc.

105 East Parr Boulevard, Reno, Nevada 89512 USA

www.dipaco.com ■ sales@dipaco.com

Telephone: (775) 329-7511 ■ Fax: (775) 329-9740 ■ Toll Free: (800) 648-4720 ■ Toll Free Fax: (888) 320-7761



**DIPACO**  
**DIESEL**  
**PARTS**  
**U S A**

**APPLICATION GUIDE**

See Page 19 For Application Guide Notes

APPLICATION AND ENGINE	HOLDER ASSY	NOZZLE	HOLDER	NOZZLE GASKET	DUST SHIELD	OPENING PRESSURE	TORQUE RET NUT	TORQUE CAP NUT
<b>261B SCRAPER</b> 6138I/25000 MKII ENGINES	4392121	4396702	4396701	4378031	-	4125±25	75	75
<b>262B SCRAPER</b> 685T/11000 MKII ENGINES	4392121	4396702	4396701	4378031	-	4125±25	75	75
<b>263B SCRAPER</b> 685T/11000 MKII ENGINES REAR ENGINE - ALL	4392121	4396702	4396701	4378031	-	4125±25	75	75
	4320642	4321935	4060908	4378031	-	3825±25	50	70
<b>TS300 SCRAPER</b> 844 BUDA ENGINE PRIOR S/N 39965 S/N 39965 UP	4361580	4050594	-	4511204	4025385	2150±25	50	60
	4363761	4050594	AKB95S1874	4511204	4025385	2150±25	50	60
<b>TS360 SCRAPER</b> 844 BUDA ENGINE PRIOR SCRAPER S/N 2001 SCRAPER S/N 2001 UP	4363761	4050594	4062106	4511204	4025385	2150±25	50	60
	4390624	4378020	4062106	4378031	4025385	2825±25	70	70
<b>460 SCRAPER</b> 25000 ENGINE PRIOR SCRAPER S/N 4300	4390625	4396702	4062106	4378031	-	3825±25	70	70
<b>460B SCRAPER</b> 25000 ENGINE PRIOR SCRAPER S/N 4300-5000 PRIOR S/N 25-01978 S/N 25-01979 UP (D)	4390625	4396702	4062106	4378031	-	3825±25	70	70
	4390625	4396702	4062106	4378031	-	3825±25	70	70
	4391957	4396702	4062106	4378031	-	4125±25	75	75
<b>840B LOADER</b> 2800 ENGINE	4022901	4007218	4060859	4025150	4025385	2825±25	50	70
<b>940 LOADER</b> 2900 ENGINE	4023489	4007224	4007968	4025150	4024010	3825±25		
<b>APPLICATION GUIDE NOTES</b>								
(A) This is a late style holder with a one piece top nut and o-ring seal. This requires an adapter, part number D4023572, and a gasket, part number D4023573, to bring its height even with the return line.								
(B) Robert Bosch and AMBAC bar stock style holder assembly.								
(C) Below 200 BHP.								
(D) Long-sac versus short-sac as used in 16000H, 17000, 21000 MKII and 25000 MKII engines. Some engines originally used holder assembly D4392304, which was a long-sac type and is discontinued. remove the D4392576 insert from the head and use the D4396702 nozzle. The above change was effective with the following engine serial numbers: 16-10155 plus 16-09919 through 16-09943 17-01009 19-02158 21-10854 plus 21-10581 through 21-10585 25-02871 Use 4062106 holder for short-sac applications.								

DIPACO, Inc.

105 East Parr Boulevard, Reno, Nevada 89512 USA

www.dipaco.com ■ sales@dipaco.com

Telephone: (775) 329-7511 ■ Fax: (775) 329-9740 ■ Toll Free: (800) 648-4720 ■ Toll Free Fax: (888) 320-7761



## NOTES TO APPLICATION GUIDE

APPLICATION AND ENGINE	HOLDER ASSY	NOZZLE	HOLDER	NOZZLE GASKET	DUST SHIELD	OPENING PRESSURE	TORQUE	
							RET NUT	CAP NUT

**(A)** This is a late style holder with a one piece top nut and o-ring seal. This requires an adapter, part number D4023572, and a gasket, part number D4023573, to bring its height even with the return line.

**(B)** Robert Bosch and AMBAC bar stock style holder assembly.

**(C)** Below 200 B.H.P.

**(D)** Long-sac versus short-sac as used in 16000H, 17000, 21000 MKII and 25000 MKII engines. Some engines originally used holder assembly D4392304, which was a "long-sac type" and is discontinued. Remove the D4392576 insert from the head and use the D4396702 nozzle. The above change was effective with the following engine serial numbers:

16-10155 plus 16-09919 through 16-09943

17-01009

19-02158

21-10854 plus 21-10581 through 21-10585

25-02871

Use 4062106 holder for short-sac applications. Use 4396701 for long-sac applications.

DIPACO, Inc.

105 East Parr Boulevard, Reno, Nevada 89512 USA

www.dipaco.com ■ sales@dipaco.com

Telephone: (775) 329-7511 ■ Fax: (775) 329-9740 ■ Toll Free: (800) 648-4720 ■ Toll Free Fax: (888) 320-7761



**DIPACO**  
**DIESEL**  
**PARTS**  

---

**U S A**

**DIPACO Replacement Parts  
Catalog For Caterpillar Fuel  
Injection Systems  
November 1998**

**3208 SLEEVE METERING  
3304/3306 SLEEVE METERING**

**3304B/3306B NEW SCROLL  
3406B/3406C NEW SCROLL**



The information presented in this catalog has been adapted from published information and is believed to be correct, however this catalog is an overview of each pump group. Many parts used within a pump group, i.e. 3406B, are the same, however there are some changes within each Serial Number and Arrangement Number group.

Within each pump group is a serial number and arrangement number break which gives specific information regarding the configuration of each particular pump. When ordering any parts, except DIPACO DIESEL PARTS gasket sets and overhaul gasket kits to rebuild Caterpillar pumps, you will need the Serial Number and Arrangement Number for your specific pump. If in doubt on any information regarding the pump you are servicing refer to current Caterpillar repair manuals or contact DIPACO DIESEL PARTS.

Each parts illustration in this catalog is accompanied by a parts list. When a part number is indented, it is included with the part number under which it is indented.

DIPACO DIESEL PARTS is continually adding new parts to our line. For parts availability, please consult our current price list or contact your DIPACO distributor or DIPACO DIESEL PARTS directly.

Manufacturers names, numbers, or descriptions are used as reference only.



DIPACO, Inc.

105 East Parr Boulevard, Reno, Nevada 89512 ■ USA

[www.dipaco.com](http://www.dipaco.com) ■ [sales@dipaco.com](mailto:sales@dipaco.com)

Telephone: (775) 329-7511 ■ Fax: (775) 329-9740 ■ Toll Free: (800) 648-4720 ■ Toll Free Fax: (888) 320-7761



## TABLE OF CONTENTS

TOPIC	PAGE
<b>3208 SLEEVE METERING FUEL PUMP</b>	
PUMP BODY - CAMSHAFT .....	4
PLUNGER AND BARREL - FRONT COVER .....	6
GOVERNOR .....	8
<b>3304/3306 SLEEVE METERING FUEL PUMP</b>	
PUMP BODY - CAMSHAFT .....	10
PLUNGER AND BARREL - FRONT COVER .....	12
GOVERNOR .....	14
<b>3304B/3306B NEW SCROLL FUEL PUMP</b>	
PUMP BODY - CAMSHAFT .....	18
PLUNGER AND BARREL .....	20
GOVERNOR .....	22
<b>3406B/3406C NEW SCROLL FUEL PUMP</b>	
PUMP BODY - CAMSHAFT .....	26
PLUNGER AND BARREL .....	28
GOVERNOR (MECHANICAL) .....	30
GOVERNOR (ELECTRONIC) .....	34
<b>AIR FUEL RATIO (ALL FUEL PUMPS)</b>	
SLEEVE METERING AND NEW SCROLL .....	40
<b>PRIMER PUMP/SOLENOID/TORQUE CONTROL (ALL FUEL PUMPS)</b>	
SLEEVE METERING AND NEW SCROLL .....	42
<b>OVERHAUL GASKET SETS (ALL FUEL PUMPS)</b>	
SLEEVE METERING AND NEW SCROLL .....	44

DIPACO, Inc.

105 East Parr Boulevard, Reno, Nevada 89512 ■ USA

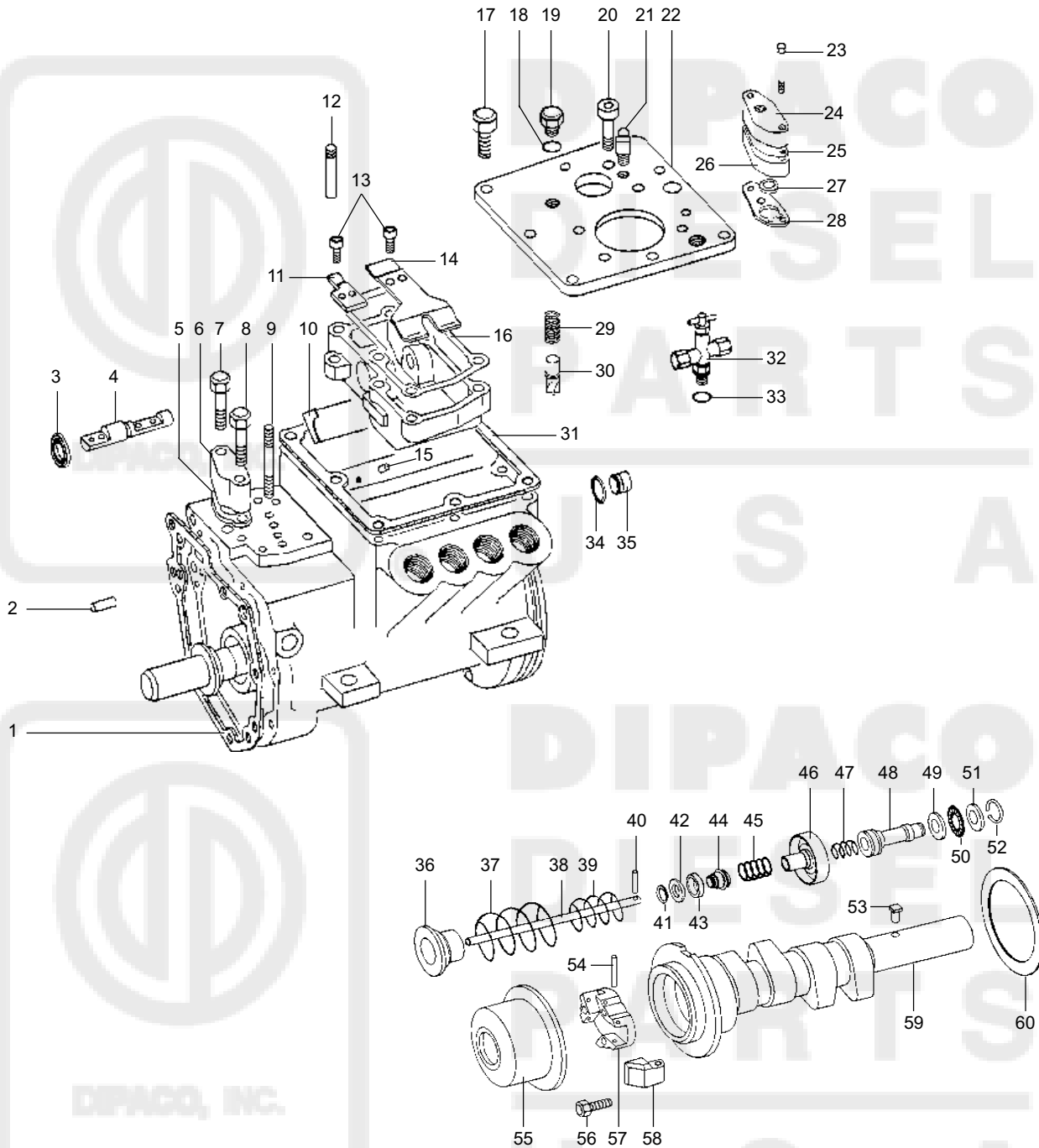
www.dipaco.com ■ sales@dipaco.com

Telephone: (775) 329-7511 ■ Fax: (775) 329-9740 ■ Toll Free: (800) 648-4720 ■ Toll Free Fax: (888) 320-7761



**DIPACO**  
**DIESEL**  
**PARTS**  
**U S A**

### 3208 PUMP BODY - CAMSHAFT (SLEEVE METERING)



DIPACO, Inc.

105 East Parr Boulevard, Reno, Nevada 89512 ■ USA

www.dipaco.com ■ sales@dipaco.com

Telephone: (775) 329-7511 ■ Fax: (775) 329-9740 ■ Toll Free: (800) 648-4720 ■ Toll Free Fax: (888) 320-7761

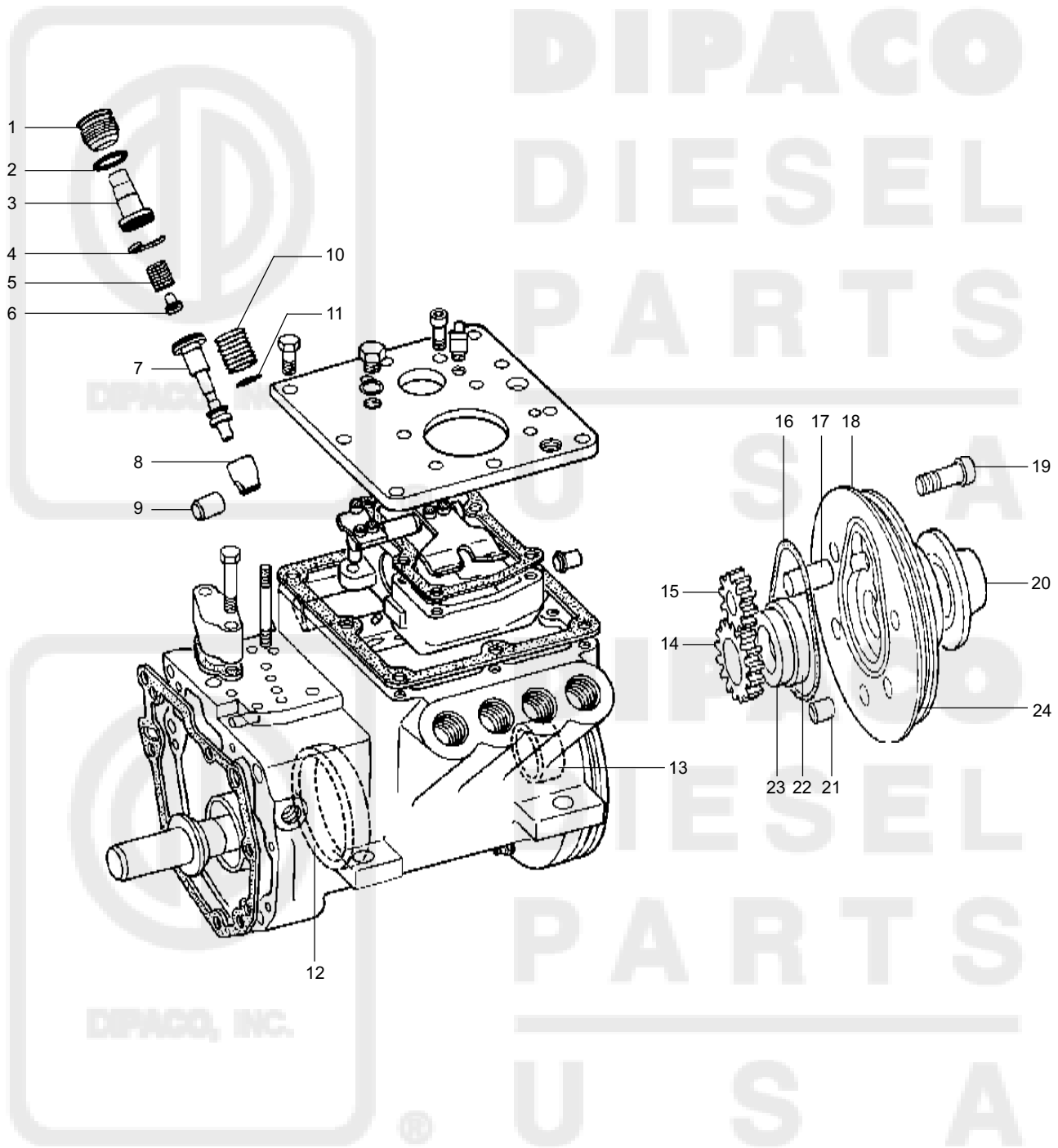






**DIPACO**  
**DIESEL**  
**PARTS**  
**U S A**

### 3208 PLUNGER AND BARREL - FRONT COVER (SLEEVE METERING)



DIPACO, Inc.

105 East Parr Boulevard, Reno, Nevada 89512 ■ USA

www.dipaco.com ■ sales@dipaco.com

Telephone: (775) 329-7511 ■ Fax: (775) 329-9740 ■ Toll Free: (800) 648-4720 ■ Toll Free Fax: (888) 320-7761



### 3208 PLUNGER AND BARREL - FRONT COVER (SLEEVE METERING)

REF	PART	DESCRIPTION	QTY	REF	PART	DESCRIPTION	QTY
1	7W8120	RETAINER	8				
2	6F6672	O RING	8				
3	4N0209	BONNET	8				
4	4N0224	CLIP	8				
5	9L9424	SPRING	8				
6	9B1320	CHECK VALVE (HAT-SMOOTH)	8				
6	7N5148	CHECK VALVE (HAT-SCRATCHED)	8				
6	8N1414	CHECK VALVE (RFC)	8				
6	1W6987	CHECK VALVE (ORFC)	8				
6	1W6987	CHECK VALVE (ORFC)	8				
7	6N7527	P & B 8.0 MM (NA)	8				
7	1W3010	P & B 8.5 MM (TURBO)	8				
8	8N1317	LIFTER (NA-1 CAMSHAFT)	8				
8	6N6794	LIFTER (NA-2/3/4 CAMSHAFT)	8				
8	9N5817	LIFTER (TURBO)	8				
9	4N2685	ROLLER (NA)	8				
9	9N5827	ROLLER (TURBO)	8				
10	9N5862	SPRING	8				
11	4N2728	RETAINER	8				
12	8N0628	REAR CAMSHAFT BUSHING	1				
13	7W6335	FRONT CAMSHAFT BUSHING	1				
14	4N0429	DRIVE GEAR	1				
15	4N0406	IDLER GEAR	1				
16	5M6509	O RING	1				
17	8H9804	SHAFT	1				
18	4N1132	TRANSFER HOUSING	1				
19	9F6641	BOLT	4				
20	4N2954	HUB	1				
21	8S6814	DOWEL	1				
22	4N1584	SEAL	1				
23	4N0636	SEAL	1				
24	9M9729	MOUNTING O RING	1				
-	1P4001	OUTLET FITTING (NOT SHOWN)	1				
-	6N9988	SOLENOID 12V (NOT SHOWN)	1				
-	6N9987	SOLENOID 24V (NOT SHOWN)	1				

DIPACO, Inc.

105 East Parr Boulevard, Reno, Nevada 89512 ■ USA

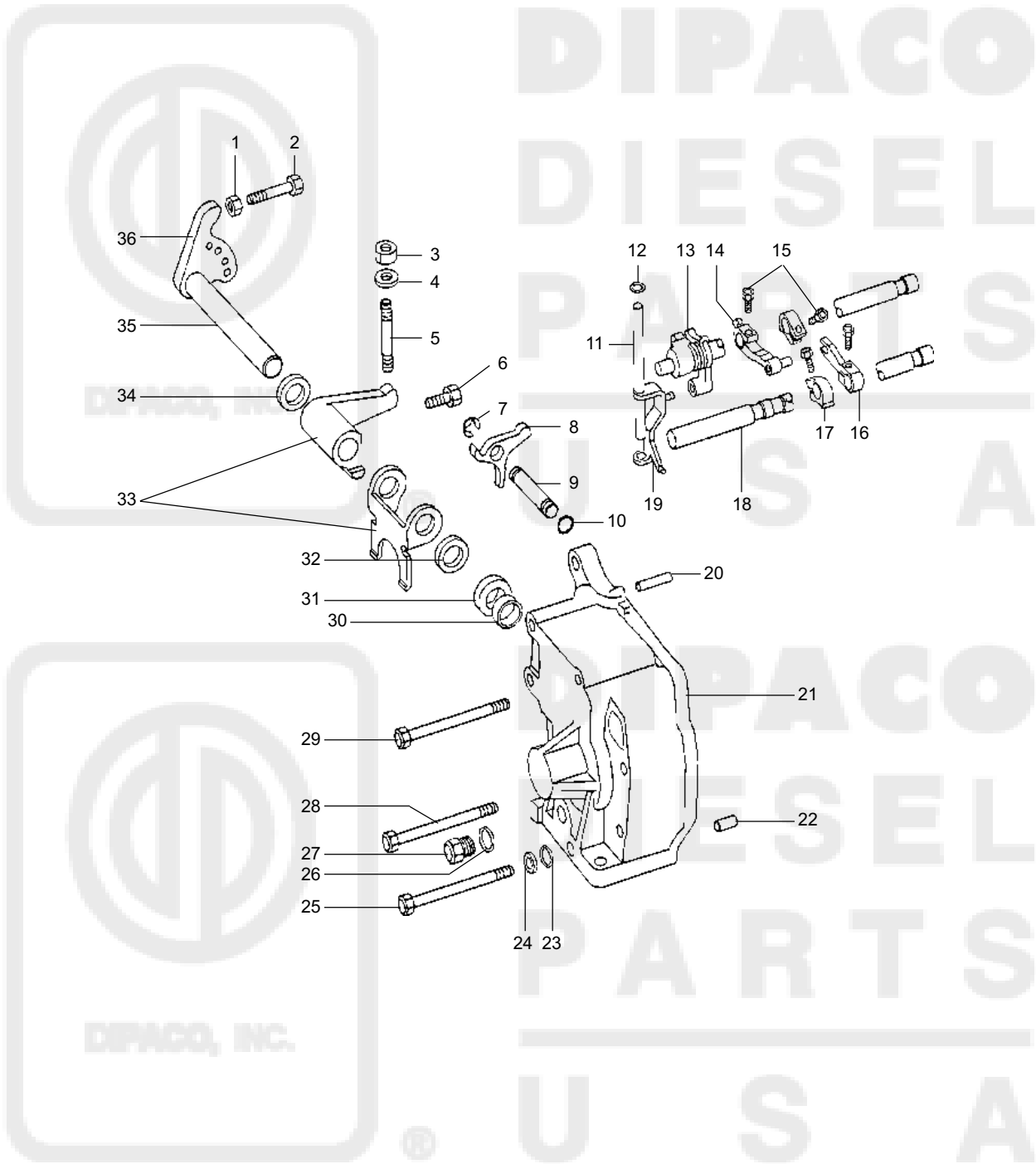
www.dipaco.com ■ sales@dipaco.com

Telephone: (775) 329-7511 ■ Fax: (775) 329-9740 ■ Toll Free: (800) 648-4720 ■ Toll Free Fax: (888) 320-7761



**DIPACO**  
**DIESEL**  
**PARTS**  
**U S A**

## 3208 GOVERNOR ASSEMBLY (SLEEVE METERING)



DIPACO, Inc.

105 East Parr Boulevard, Reno, Nevada 89512 ■ USA

www.dipaco.com ■ sales@dipaco.com

Telephone: (775) 329-7511 ■ Fax: (775) 329-9740 ■ Toll Free: (800) 648-4720 ■ Toll Free Fax: (888) 320-7761



### 3208 GOVERNOR ASSEMBLY (SLEEVE METERING)

REF	PART	DESCRIPTION	QTY	REF	PART	DESCRIPTION	QTY
1	1D4716	NUT	1	<b>*NOTE: THROTTLE SHAFT-A WORN SHAFT CAN BE PRESSED OUT OF THE PLATE AND A NEW DIPACO SHAFT PRESSED IN, ORDER PART NUMBER D4N2773B.</b>			
2	4N2708	BOLT	1				
3	9M1311	NUT	1				
4	6L3921	WASHER	1				
5	6N4176	SETSCREW	1				
6	031-0214	BOLT	A/R				
7	2M7819	RETAINER CLIP	1				
8	4N0445	LEVER	1				
9	4N0523	DOWEL	1				
10	2D6392	O RING	1				
11	4N0528	SHAFT	1				
12	3H0442	O RING	1				
13	4N9828	CONTROL SHAFT ASSEMBLY	1				
14	4N3922	CROSSOVER LEVER CONTROL	1				
15	2N2658	SCREW	10				
16	4N0563	CROSSOVER LEVER	1				
17	9N5820	P&B CONTROL LEVER	8				
18	9L6807	CONTROL SHAFT	2				
19	4N2677	RISER LEVER	1				
20	4N2333	DOWEL	1				
21	8N3946	GOVERNOR HOUSING	1				
22	8S6814	DOWEL	2				
23	2D6392	O RING	1				
24	6N7523	WASHER	1				
25	1D4533	BOLT	3				
26	3J7354	O RING	1				
27	9S4182	PLUG	1				
28	8F8178	BOLT	1				
29	2A4781	BOLT	3				
30	8N3945	BUSHING	2				
31	2W4037	SEAL	1				
32	4N3329	WASHER	1				
33	7C6202	LEVER	1				
-	7C6201	LEVER SEAT	1				
34	4N3329	WASHER	1				
35	4N2773B	THROTTLE SHAFT (*SEE NOTE)	1				
36	4N2773	THROTTLE SHAFT ASSEMBLY	1				

DIPACO, Inc.

105 East Parr Boulevard, Reno, Nevada 89512 ■ USA

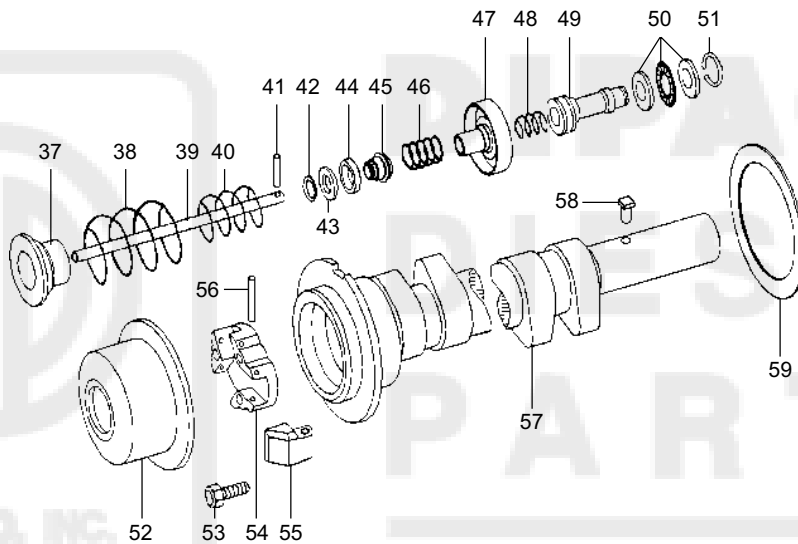
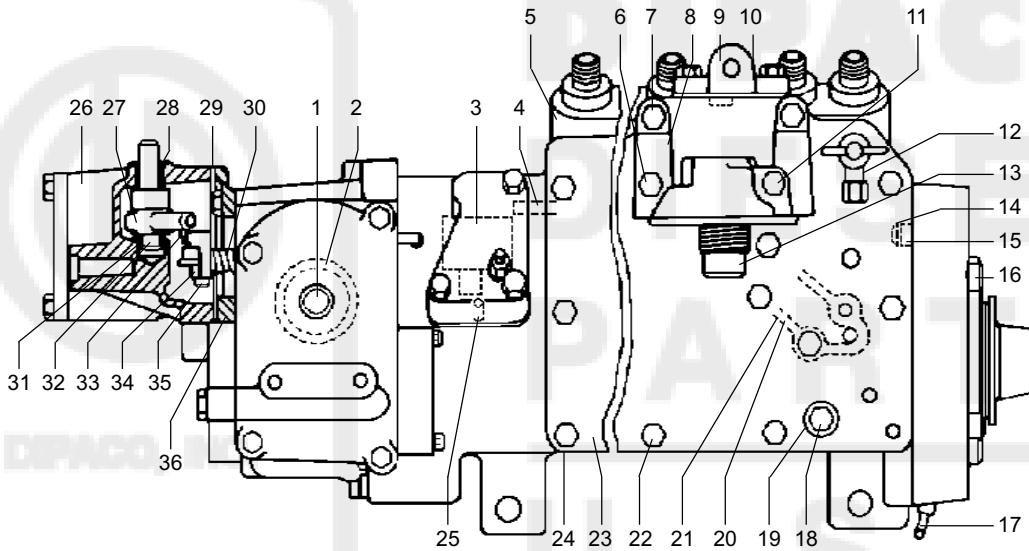
www.dipaco.com ■ sales@dipaco.com

Telephone: (775) 329-7511 ■ Fax: (775) 329-9740 ■ Toll Free: (800) 648-4720 ■ Toll Free Fax: (888) 320-7761



**DIPACO**  
**DIESEL**  
**PARTS**  
**U S A**

### 3304/3306 PUMP BODY - CAMSHAFT (SLEEVE METERING)



DIPACO, Inc.

105 East Parr Boulevard, Reno, Nevada 89512 ■ USA

www.dipaco.com ■ sales@dipaco.com

Telephone: (775) 329-7511 ■ Fax: (775) 329-9740 ■ Toll Free: (800) 648-4720 ■ Toll Free Fax: (888) 320-7761



### 3304/3306 PUMP BODY - CAMSHAFT (SLEEVE METERING)

REF	PART	DESCRIPTION	QTY	REF	PART	DESCRIPTION	QTY
1	6N0248	SHAFT ASSEMBY	1	50	DPE17219	BEARING AND RACE ASSEMBLY	1
2	9S8597	SPRING	1		4N2927	THRUST WASHER (.060" EACH)	2
3	-	TORQUE CONTROL GROUP	1		7M7219	BEARING	1
4	4N2333	PIN	1	51	4N2953	RETAINING SPRING	1
5	-	FUEL INJECTION PUMP GROUP	1	52	4N1723	WEIGHT CARRIER SHIELD	1
6	9F7022	BOLT	2	53	8N2662	BOLT	3
7	9F6580	BOLT	2	54	8N2663	WEIGHT CARRIER	1
8	4N5490	BASE ASSEMBLY	1	55	4N0425	GOVERNOR WEIGHT	3
	9S4167	STUD	1	56	4N0511	WEIGHT DOWEL	3
9	4N7572	ELBOW	1	57	6N6567	CAMSHAFT - 3304	1
10	4N9337	GASKET	1	57	4N4313	CAMSHAFT - 3306	1
11	8S4710	BOLT	1	58	4N3779	KEY	1
12	6D0238	VALVE ASSEMBLY	1	59	9N5822	THRUST BEARING	1
13	9S4167	STUD	1				
14	4N1826	DOWEL	1				
15	2D6392	SEAL	1				
16	5J5314	BOLT	4				
17	1P4001	FITTING	1				
18	9S4180	PLUG	1				
19	4J7533	SEAL	1				
20	6N2810	CHANNEL	1				
21	4N4431	GASKET	1				
22	0S1616	BOLT - 3304	11				
22	0S1616	BOLT - 3306	13				
23	4N4350	COVER - 3304	1				
23	4N4351	COVER - 3306	1				
24	4N9056	GASKET - 3304	1				
24	4N9057	GASKET - 3306	1				
25	4N5481	STUD	1				
26	6N7375	ADAPTER ASSEMBLY	1				
27	3N2820	LEVER ASSEMBLY	1				
	7L4993	DOWEL	1				
28	3N2813	SEAL	1				
29	2W1626	GASKET	1				
30	9N0967	SPRING	1				
31	4N9467	BEARING	2				
32	3N2815	SHAFT	1				
33	7L4993	DOWEL	1				
34	3N2824	LEVER ASSEMBLY	1				
35	2N2658	BOLT	1				
36	7N3096	BASE	1				
37	4N4276	SPRING SEAT	1				
38	-	OUTER GOVERNOR SPRING (*SEE NOTE)	1				
39	4N9018	WEIGHT CARRIER SHAFT	1				
40	-	INNER GOVERNOR SPRING (**SEE NOTE)	1				
41	4N9019	DOWEL	1				
42	4N6404	RETAINING RING	1				
43	4N6406	SPACER	1				
44	4N6407	SPOOL	1				
45	4N6408	PISTON ASSEMBLY	1				
46	6N2517	DASHPOT SPRING	1				
47	2W8623	SEAT	1				
48	4N0527	OVERFUELING SPRING	1				
49	4N0434	RISER	1				

**\*NOTE: OUTER GOVERNOR SPRING**

COLOR CODE	
1W4793	PURPLE-PURPLE
1W4925	PURPLE
1W6804	PINK-PINK-PINK
2W9003	YELLOW-YELLOW
4N5659	PINK-WHITE
4N5661	WHITE-WHITE
4N6119	GREEN-GREEN-GREEN
4N9226	GREEN-GREEN
6N2129	PINK-PINK
6N2132	GREEN
7N3807	PINK
9L6508	YELLOW

**\*\*NOTE: INNER GOVERNOR SPRING**

COLOR CODE	
4N5663	PINK

DIPACO, Inc.

105 East Parr Boulevard, Reno, Nevada 89512 ■ USA

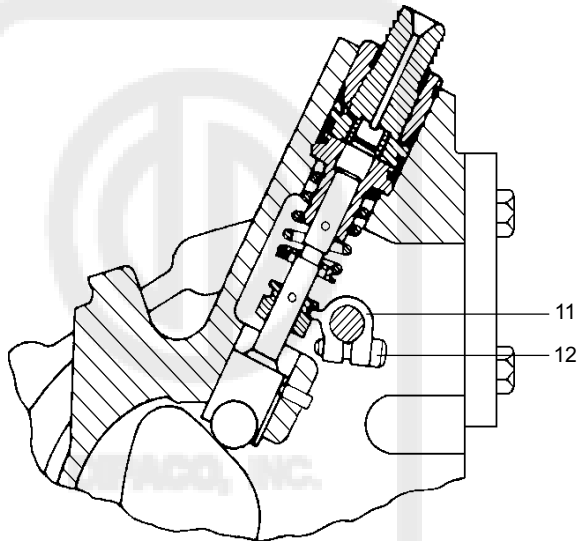
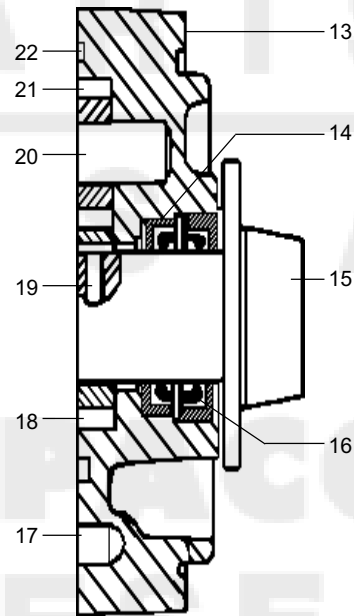
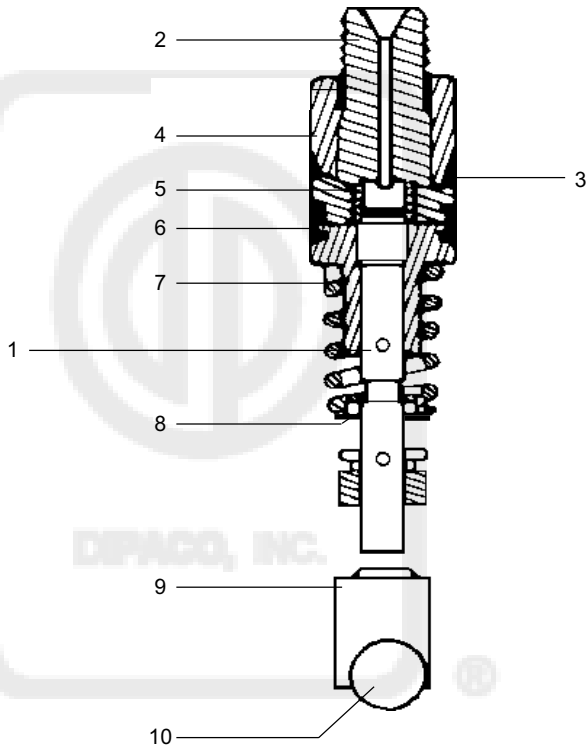
www.dipaco.com ■ sales@dipaco.com

Telephone: (775) 329-7511 ■ Fax: (775) 329-9740 ■ Toll Free: (800) 648-4720 ■ Toll Free Fax: (888) 320-7761



**DIPACO**  
**DIESEL**  
**PARTS**  
**U S A**

### 3304/3306 PLUNGER & BARREL - FRONT COVER (SLEEVE METERING)



DIPACO, Inc.

105 East Parr Boulevard, Reno, Nevada 89512 ■ USA

www.dipaco.com ■ sales@dipaco.com

Telephone: (775) 329-7511 ■ Fax: (775) 329-9740 ■ Toll Free: (800) 648-4720 ■ Toll Free Fax: (888) 320-7761





### 3304/3306 PLUNGER & BARREL - FRONT COVER (SLEEVE METERING)

REF	PART	DESCRIPTION	QTY	REF	PART	DESCRIPTION	QTY
1	6N7527	P & B 8.0 MM (NA)	4/6				
1	1W3010	P & B 8.5 MM (TURBO)	4/6				
2	4N0209	BONNET	4/6				
3	6F6672	O RING	4/6				
4	7W8120	RETAINER	4/6				
5	9B1320	CHECK VALVE	4/6				
6	4N0224	CLIP	4/6				
7	9N5862	SPRING	4/6				
8	4N2728	RETAINER	4/6				
9	8N1317	LIFTER	4/6				
10	4N2685	ROLLER	4/6				
11	9N5820	P & B CONTROL LEVER	4/6				
12	2N2658	SCREW	4/6				
13	9L6863	BODY ASSEMBLY - FRONT COVER	1				
14	4N0636	SEAL	1				
15	4N2954	SLEEVE	1				
16	4N1584	SEAL	1				
17	8S6814	DOWEL	1				
18	4N0429	GEAR (15 TEETH)	1				
19	4N3779	KEY	1				
20	8H9804	SHAFT	1				
21	4N0406	GEAR (10 TEETH)	1				
22	5M6509	O RING	1				
-	2H3934	COVER MOUNTING O RING	1				

DIPACO, Inc.

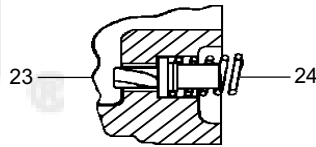
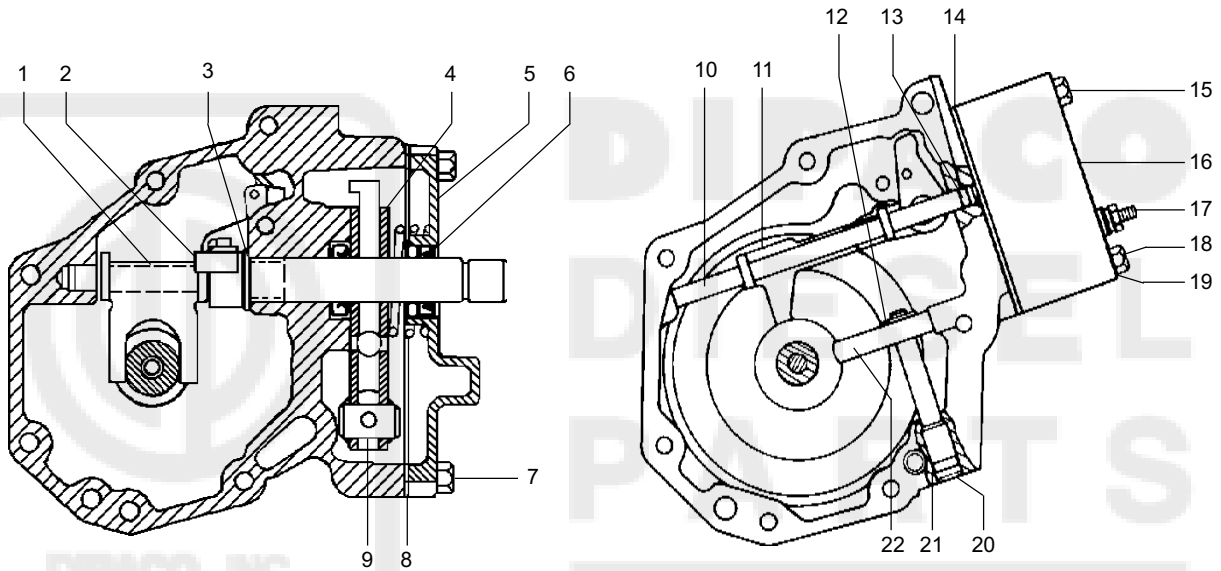
105 East Parr Boulevard, Reno, Nevada 89512 ■ USA

www.dipaco.com ■ sales@dipaco.com

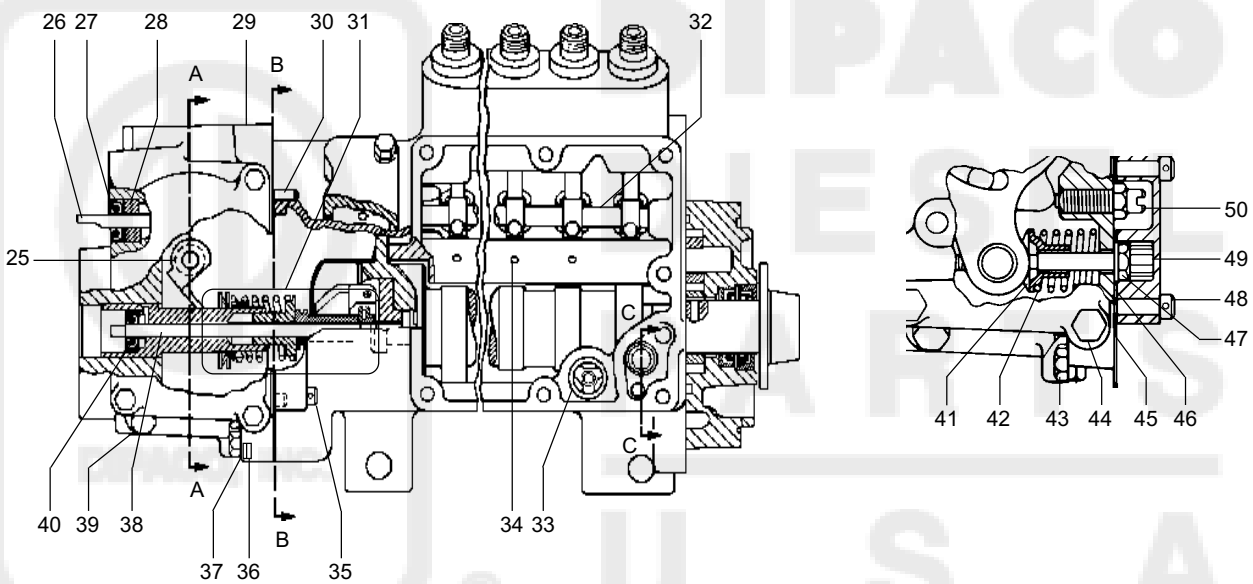
Telephone: (775) 329-7511 ■ Fax: (775) 329-9740 ■ Toll Free: (800) 648-4720 ■ Toll Free Fax: (888) 320-7761



### 3304/3306 GOVERNOR (SLEEVE METERING)



SECTION C-C



DIPACO, Inc.

105 East Parr Boulevard, Reno, Nevada 89512 ■ USA

www.dipaco.com ■ sales@dipaco.com

Telephone: (775) 329-7511 ■ Fax: (775) 329-9740 ■ Toll Free: (800) 648-4720 ■ Toll Free Fax: (888) 320-7761



**3304/3306 GOVERNOR (SLEEVE METERING)**

REF	PART	DESCRIPTION	QTY	REF	PART	DESCRIPTION	QTY
1	4N1881	LEVER	1	47	2A4781	BOLT [6.99 CM (2.75 IN) LONG]	1
2	9L8571	DOWEL	1	47	3B8695	BOLT [8.89 CM (3.50 IN) LONG]	1
3	8F5368	WASHER	1	48	1P2497	BOLT	1
4	6N5482	PLATE	2	49	4N5578	COVER	1
5	4N0687	COVER ASSEMBLY	1	-	4N0049	GASKET	1
6	2W4037	SEAL	1	50	4N0054	SCREW	1
7	0S1616	BOLT	4	-	5B3180	NUT	1
8	4N0402	GASKET	1				
9	9S8601	PIN	1				
10	4N0528	SHAFT	1				
11	4N2677	SHAFT ASSEMBLY	1				
12	2M7819	RING	1				
13	3H0442	SEAL	1				
14	4N0508	GASKET	1				
15	2M5471	BOLT	2				
16	4N1591	COVER ASSEMBLY	1				
17	6N0412	MACHINE SCREW	1				
-	4B2042	NUT	1				
-	3B4501	LOCKWASHER	1				
-	1P7326	WASHER [1.52MM (.060 IN) THICK]	1				
-	8F1326	WASHER [.813MM (.032 IN) THICK]	1				
18	2P3200	BOLT	1				
19	1J9671	SEAL	1				
20	4N0523	DOWEL	1				
21	2D6392	SEAL	1				
22	4N0445	LEVER	1				
23	4N1767	VALVE	1				
24	4N0605	SPRING	1				
25	2W4037	SEAL	1				
26	4N0927	SHAFT ASSEMBLY	1				
27	4N0260	SEAL	2				
28	6N2578	BEARING	1				
29	4N6547	HOUSING ASSEMBLY	1				
30	4N2333	DOWEL	1				
31	-	DASHPOT ASSEMBLY (SEE CAMSHAFT VIEW PAGE 10)	1				
32	4N0572	SHAFT ASSEMBLY	1				
33	1P2298	VALVE ASSEMBLY	1				
34	8N0984	PIN	6				
35	8S6814	DOWEL	2				
36	9S4180	PLUG	1				
37	4J7533	SEAL	1				
38	4N9018	SHAFT	1				
39	5M6214	PLUG	1				
40	4N0260	SEAL	1				
41	4N0116	GUIDE	1				
42	9S8632	SPRING	1				
43	1P9925	BOLT [6.35 CM (2.50 IN) LONG]	1				
43	2A4781	BOLT [6.99 CM (2.75 IN) LONG]	1				
43	3B8695	BOLT [8.89 CM (3.50 IN) LONG]	1				
44	1P9925	BOLT [6.35 CM (2.50 IN) LONG]	1				
44	2A4781	BOLT [6.99 CM (2.75 IN) LONG]	1				
44	3B8695	BOLT [8.89 CM (3.50 IN) LONG]	1				
45	4N0594	GASKET	1				
46	6N7523	WASHER	1				
47	1P9925	BOLT [6.35 CM (2.50 IN) LONG]	1				

DIPACO, Inc.

105 East Parr Boulevard, Reno, Nevada 89512 ■ USA

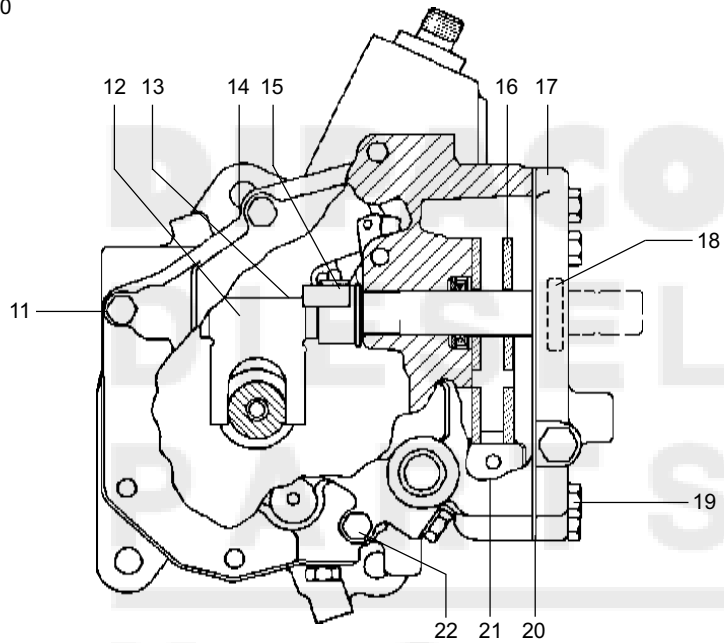
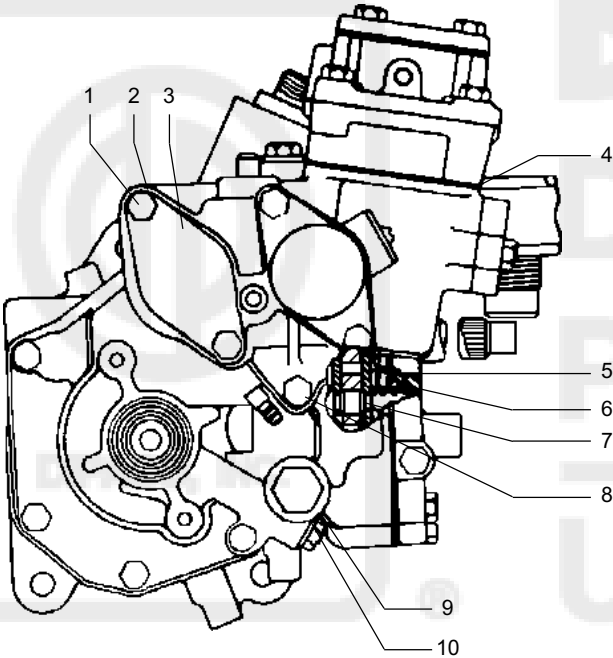
www.dipaco.com ■ sales@dipaco.com

Telephone: (775) 329-7511 ■ Fax: (775) 329-9740 ■ Toll Free: (800) 648-4720 ■ Toll Free Fax: (888) 320-7761



**DIPACO**  
**DIESEL**  
**PARTS**  
**U S A**

### 3304/3306 GOVERNOR (SLEEVE METERING)



DIPACO, Inc.

105 East Parr Boulevard, Reno, Nevada 89512 ■ USA

www.dipaco.com ■ sales@dipaco.com

Telephone: (775) 329-7511 ■ Fax: (775) 329-9740 ■ Toll Free: (800) 648-4720 ■ Toll Free Fax: (888) 320-7761



### 3304/3306 GOVERNOR (SLEEVE METERING)

REF	PART	DESCRIPTION	QTY	REF	PART	DESCRIPTION	QTY
1	2A0762	BOLT	4				
2	4N0117	GASKET	2				
3	4N8507	COVER	2				
4	6L5773	GASKET	1				
5	4N0444	SPACER	1				
6	2P0726	SPRING	1				
7	4N8179	PIN	1				
8	4L3776	BOLT	1				
9	9S4191	PLUG	1				
10	3J1907	SEAL	1				
11	1P9925	BOLT [6.35 CM (2.5 IN.) LONG]	1				
12	4N1881	LEVER	1				
13	9L5871	DOWEL	1				
14	2A4781	BOLT [6.99 CM (2.75 IN.) LONG]	1				
15	8F5368	WASHER	1				
16	6N5482	PLATE	2				
17	4N0687	COVER ASSEMBLY	1				
18	2W4037	SEAL	1				
19	0S1616	BOLT	4				
20	4N0402	GASKET	1				
21	9S8601	PIN	1				
22	3B8695	BOLT [8.89 CM (3.50 IN.) LONG]	1				

DIPACO, Inc.

105 East Parr Boulevard, Reno, Nevada 89512 ■ USA

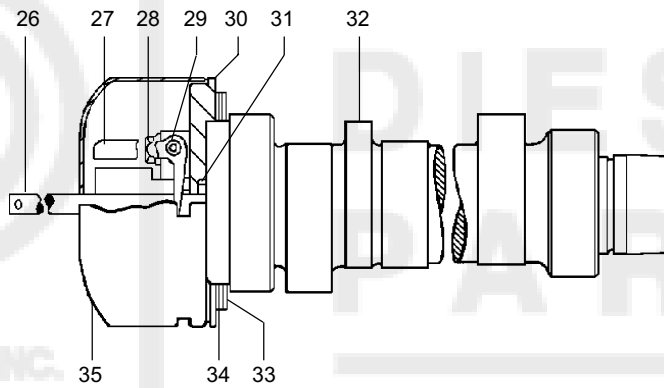
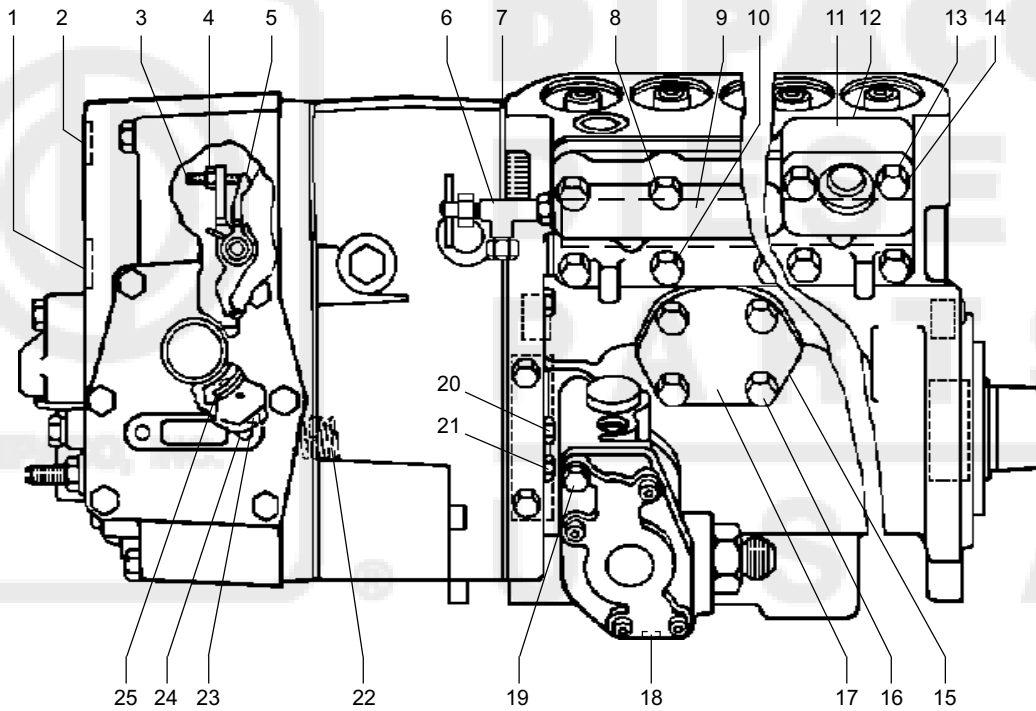
www.dipaco.com ■ sales@dipaco.com

Telephone: (775) 329-7511 ■ Fax: (775) 329-9740 ■ Toll Free: (800) 648-4720 ■ Toll Free Fax: (888) 320-7761



**DIPACO**  
**DIESEL**  
**PARTS**  
**U S A**

### 3304B/3306B PUMP BODY - CAMSHAFT (NEW SCROLL)



DIPACO, Inc.

105 East Parr Boulevard, Reno, Nevada 89512 ■ USA

www.dipaco.com ■ sales@dipaco.com

Telephone: (775) 329-7511 ■ Fax: (775) 329-9740 ■ Toll Free: (800) 648-4720 ■ Toll Free Fax: (888) 320-7761



**3304B/3306B PUMP BODY - CAMSHAFT (NEW SCROLL)**

REF	PART	DESCRIPTION	QTY	REF	PART	DESCRIPTION	QTY
1	6M5062	SEAL	1				
2	2D6392	SEAL	1				
3	7N5334	SCREW	1				
4	4B2049	NUT	1				
5	4W5735	LEVER	1				
5	8N3168	THROTTLE LEVER	1				
6	6N1716	VALVE ASSEMBLY	1				
7	7N8768	GASKET	1				
8	8B2377	BOLT	4				
9	8N5783	DEFLECTOR - 3304B	1				
9	8N5784	DEFLECTOR - 3306B	1				
10	4F7957	BOLT - 3304B	4				
10	4F7957	BOLT - 3306B	6				
11	7N9521	COVER - 3304B	1				
11	7N9907	COVER - 3306B	1				
12	7N3104	GASKET - 3304B	1				
12	7N9554	GASKET - 3306B	1				
13	1B2713	BOLT	2				
14	4B4276	WASHER	2				
15	7N1046	GASKET	1				
16	0S1615	BOLT	1				
17	7N1047	COVER	1				
18	0S1615	BOLT	1				
19	8F6302	BOLT	1				
20	6B4198	BOLT	2				
21	0S1616	BOLT	1				
22	2N2878	SPRING	1				
23	7N2176	PIN (DENT)	1				
24	7N1052	DOWEL	1				
25	8N3096	SPRING	1				
26	8N2510	SHAFT	1				
27	7N7264	WEIGHT	4				
28	5P9087	BOLT	4				
29	1W5440	DOWEL	4				
30	8N2511	CARRIER	1				
31	4N9019	DOWEL	1				
32	2W6175	CAMSHAFT - 3304B	1				
32	1W2555	CAMSHAFT - 3306B	1				
33	7N7166	RACE	1				
34	7L3326	BEARING	1				
35	7N7265	SHIELD	1				

DIPACO, Inc.

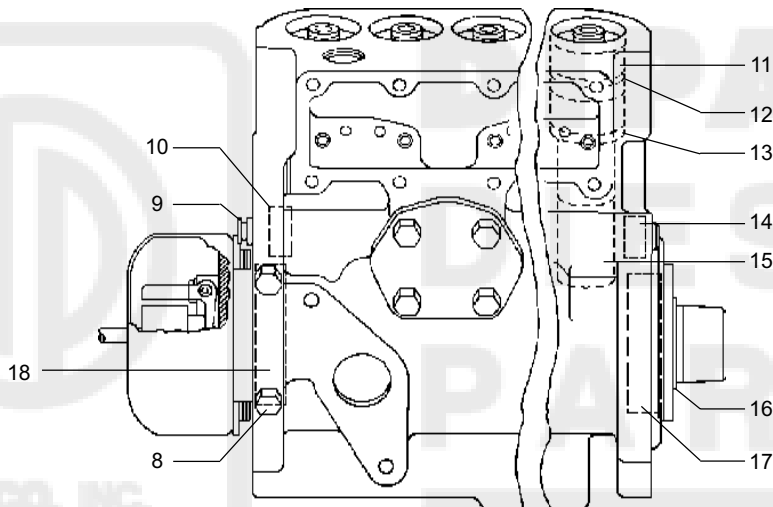
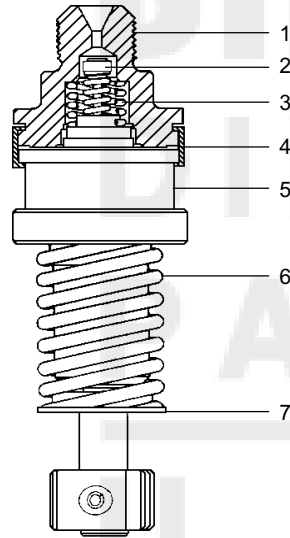
105 East Parr Boulevard, Reno, Nevada 89512 ■ USA

www.dipaco.com ■ sales@dipaco.com

Telephone: (775) 329-7511 ■ Fax: (775) 329-9740 ■ Toll Free: (800) 648-4720 ■ Toll Free Fax: (888) 320-7761



### 3304B/3306B PLUNGER AND BARREL (NEW SCROLL)



DIPACO, Inc.

105 East Parr Boulevard, Reno, Nevada 89512 ■ USA

www.dipaco.com ■ sales@dipaco.com

Telephone: (775) 329-7511 ■ Fax: (775) 329-9740 ■ Toll Free: (800) 648-4720 ■ Toll Free Fax: (888) 320-7761





### 3304B/3306B PLUNGER AND BARREL (NEW SCROLL)

REF	PART	DESCRIPTION	QTY	REF	PART	DESCRIPTION	QTY
1	8N2516	BUSHING	4/6				
2	8N1414	CHECK ASSEMBLY	4/6				
3	8N1415	SPRING	4/6				
4	7W1927	RING	4/6				
5	1W6541	PLUNGER AND BARREL ASSEMBLY	4/6				
5	7W5929	PLUNGER AND BARREL ASSEMBLY	4/6				
6	7N1067	SPRING	4/6				
7	7N1415	WASHER	4/6				
8	9S4180	PLUG	2				
9	1W3285	RACK - 3304	1				
9	1W3286	RACK - 3306	1				
10	1S1953	BEARING	1				
11	8N5117	BUSHING	4/6				
12	3D2992	O RING	4/6				
13	4W6869	SPACER	4/6				
14	1S3285	BEARING	1				
15	4P9832	LIFTER ASSEMBLY	4/6				
16	7N8421	RING	1				
17	7N7970	BEARING	1				
18	2M8604	BEARING	1				

DIPACO, Inc.

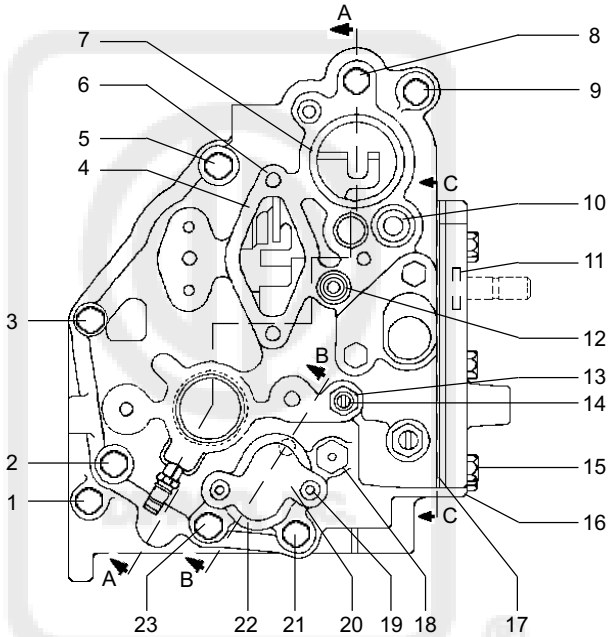
105 East Parr Boulevard, Reno, Nevada 89512 ■ USA

www.dipaco.com ■ sales@dipaco.com

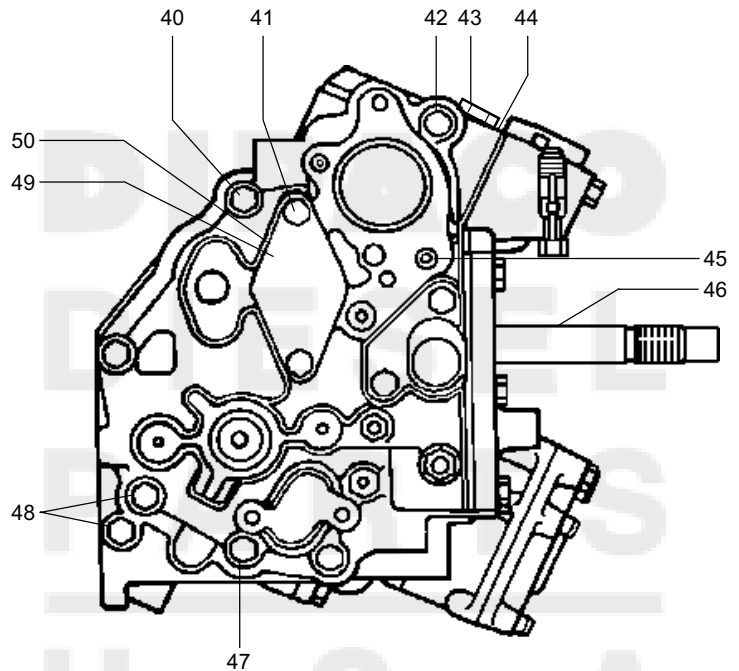
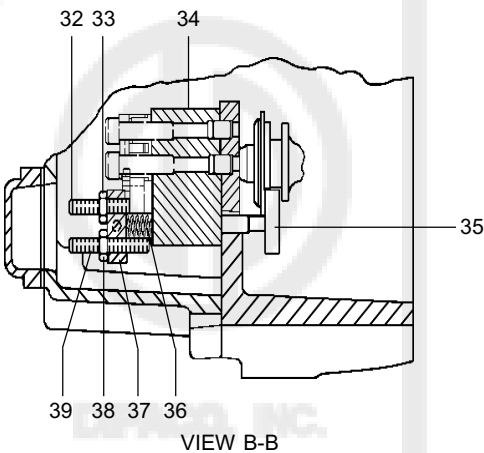
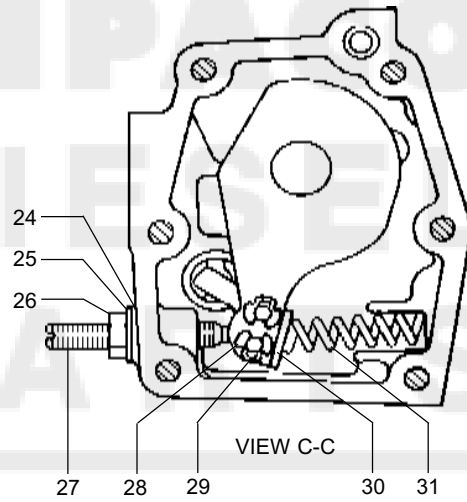
Telephone: (775) 329-7511 ■ Fax: (775) 329-9740 ■ Toll Free: (800) 648-4720 ■ Toll Free Fax: (888) 320-7761



**3304B/3306B GOVERNOR (NEW SCROLL)**



SEE PAGE 24  
FOR VIEW A-A



DIPACO, Inc.

105 East Parr Boulevard, Reno, Nevada 89512 ■ USA

www.dipaco.com ■ sales@dipaco.com

Telephone: (775) 329-7511 ■ Fax: (775) 329-9740 ■ Toll Free: (800) 648-4720 ■ Toll Free Fax: (888) 320-7761



**3304B/3306B GOVERNOR (NEW SCROLL)**

REF	PART	DESCRIPTION	QTY	REF	PART	DESCRIPTION	QTY
1	8F8178	BOLT	1				
2	8F8178	BOLT	1				
3	4N1761	BOLT	1				
4	4N0117	GASKET	1				
5	2W5448	COVER	1				
6	4N1761	BOLT	1				
7	0S1615	BOLT	1				
8	4N1761	BOLT	1				
9	4N1761	BOLT	4				
10	5L4758	SEAL	1				
11	8T2604	SEAL	1				
12	3J7354	SEAL	1				
13	4N5485	BODY	1				
-	5F9144	SEAL	1				
14	4N5484	VALVE	1				
-	6H9691	SEAL	1				
15	4F7957	BOLT	6				
16	7N8780	COVER ASSEMBLY	1				
17	7N8779	GASKET	1				
18	3P0009	INSULATOR	1				
19	1P2497	BOLT	2				
20	8N3258	COVER	1				
21	4N1761	BOLT	4				
22	6I2004	GASKET	1				
23	2S7383	BOLT	1				
24	5N4185	SEALING WASHER	1				
25	9M1974	WASHER	1				
26	5N3180	NUT	1				
27	7N2594	SETSCREW	1				
28	7N2171	RING	1				
29	7N2172	PIN	1				
30	8N3087	STOP	1				
31	2W7400	SPRING	1				
32	7N5334	SETSCREW	1				
33	4B2049	NUT	1				
34	8N7276	CONTROL GROUP	1				
35	8N2488	BOLT	1				
36	1W4243	SPRING	1				
37	8N3256	COLLAR	1				
38	4B2049	NUT	1				
39	5N4185	SEALING WASHER	1				
40	4N1761	BOLT	4				
41	0S1615	BOLT	2				
42	8M8515	BOLT	1				
43	9S4191	PLUG	1				
44	3J1907	SEAL	1				
45	5L4758	SEAL	1				
46	8N5403	SHAFT ASSEMBLY	1				
47	2S7383	BOLT	1				
48	8F8178	BOLT	2				
49	2W5448	COVER	1				
50	2W5447	GASKET	1				

DIPACO, Inc.

105 East Parr Boulevard, Reno, Nevada 89512 ■ USA

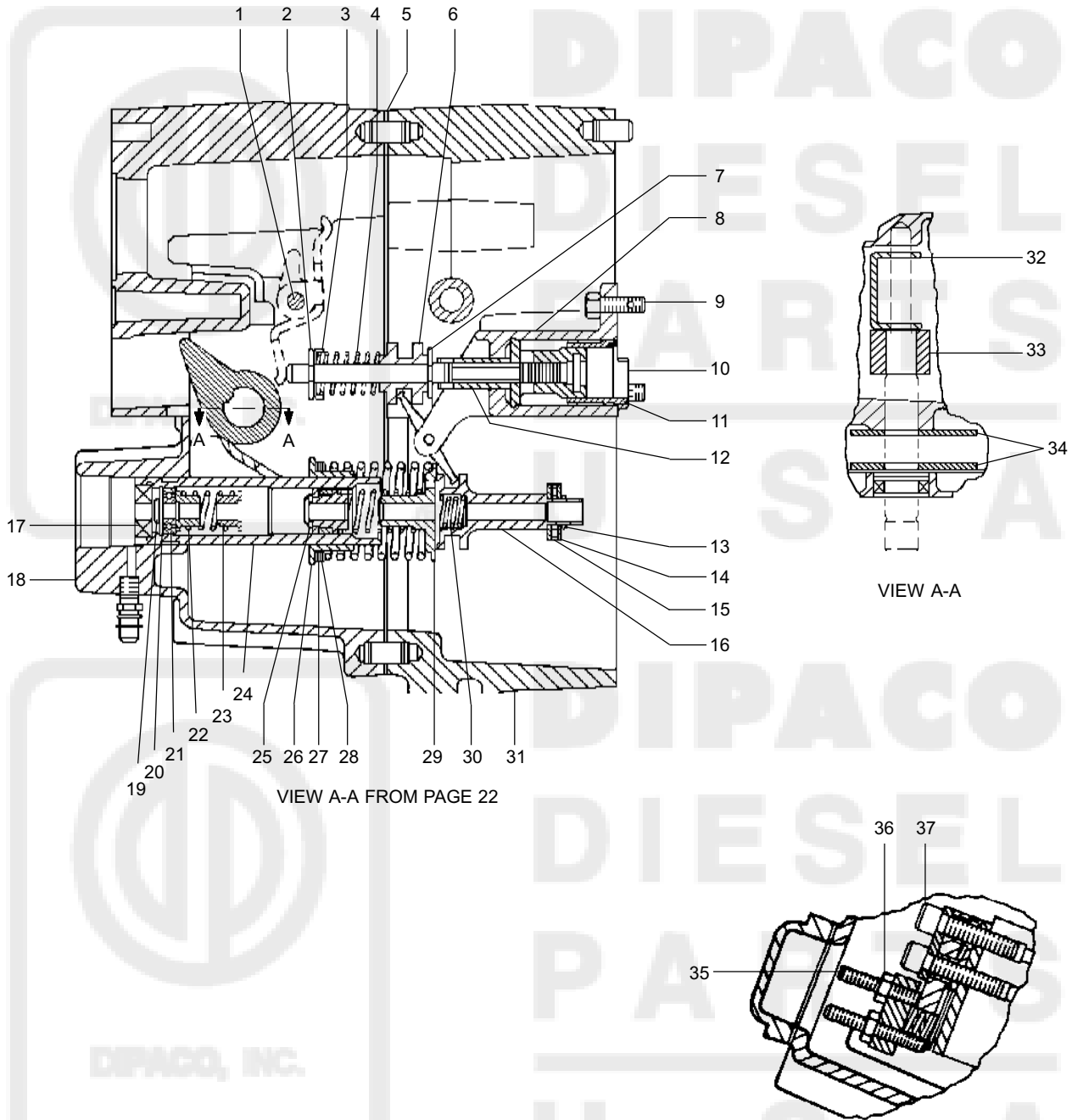
www.dipaco.com ■ sales@dipaco.com

Telephone: (775) 329-7511 ■ Fax: (775) 329-9740 ■ Toll Free: (800) 648-4720 ■ Toll Free Fax: (888) 320-7761



**DIPACO**  
**DIESEL**  
**PARTS**  
**U S A**

**3304B/3306B GOVERNOR (NEW SCROLL)**



VIEW A-A FROM PAGE 22

VIEW A-A

DIPACO, Inc.

105 East Parr Boulevard, Reno, Nevada 89512 ■ USA

www.dipaco.com ■ sales@dipaco.com

Telephone: (775) 329-7511 ■ Fax: (775) 329-9740 ■ Toll Free: (800) 648-4720 ■ Toll Free Fax: (888) 320-7761



**3304B/3306B GOVERNOR (NEW SCROLL)**

REF	PART	DESCRIPTION	QTY	REF	PART	DESCRIPTION	QTY
1	7N8785	SHAFT	1				
2	2M7819	RING	1				
3	1N3802	SEAT	1				
4	8N2496	GASKET	1				
5	1N3801	SPRING	1				
6	1N3800	SLEEVE	1				
7	2M7819	RING	1				
8	8N2507	PISTON ASSEMBLY	1				
	8N2505	VALVE	1				
	7N7271	LEVER	1				
	3G3835	PIN	1				
9	031-0216	BOLT	3				
10	7W0250	SLEEVE	1				
11	5P9757	SEAL	1				
12	1W4098	PISTON	1				
13	4N2953	RING	1				
14	4N2927	RACE	2				
15	7M7219	BEARING	1				
16	4W6868	RISER	1				
17	4N0260	SEAL	1				
18	8N2501	HOUSING ASSEMBLY	1				
19	7N8821	RING	3				
20	3D8317	RING	1				
21	4N0432	BEARING	1				
22	3K5733	SPRING	1				
23	7N7270	SLEEVE	2				
-	7N8821	RING	3				
24	8N2499	GUIDE	1				
25	4N6404	RING	1				
26	6N3504	SEAT	1				
27	2P9556	WASHER	1				
28	2N0828	WASHER	2				
29	8N2503	DASHPOT ASSEMBLY	1				
	4N6407	SPOOL	1				
	4N6406	RING	1				
30	7N7267	SPRING	1				
31	8N2495	HOUSING ASSEMBLY	1				
32	2W6120	LEVER	1				
33	8N3168	LEVER	1				
34	2W9305	PLATE	2				
35	7N5334	SETSCREW	1				
36	4B2049	NUT	1				
37	2W1861	CONTROL GROUP	1				

DIPACO, Inc.

105 East Parr Boulevard, Reno, Nevada 89512 ■ USA

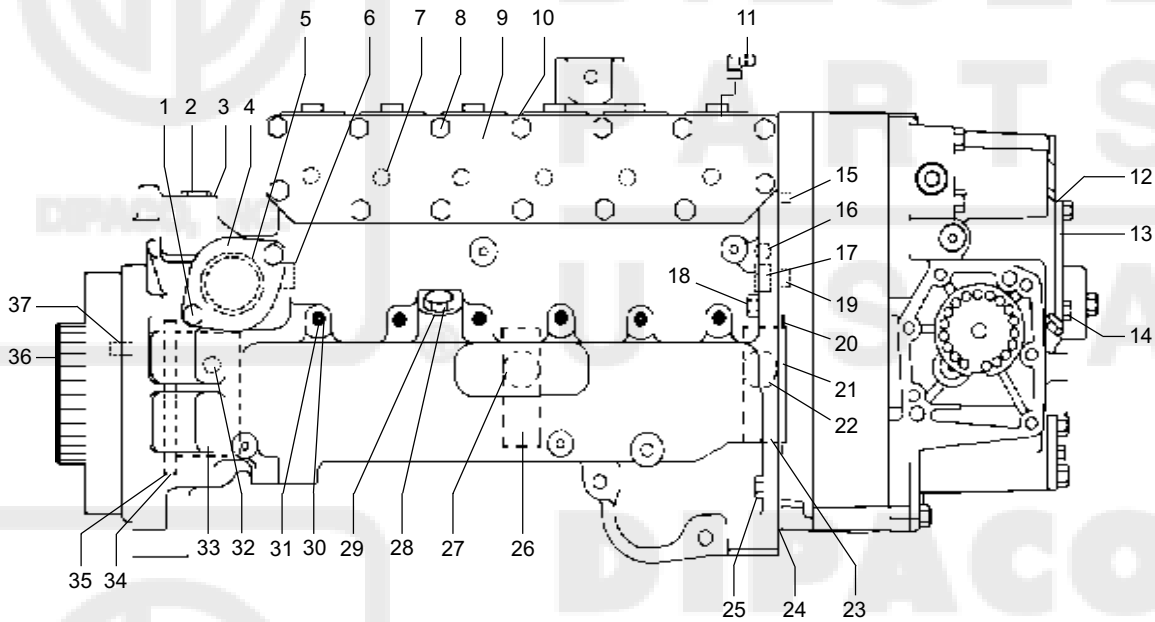
www.dipaco.com ■ sales@dipaco.com

Telephone: (775) 329-7511 ■ Fax: (775) 329-9740 ■ Toll Free: (800) 648-4720 ■ Toll Free Fax: (888) 320-7761



**DIPACO**  
**DIESEL**  
**PARTS**  
**U S A**

## 3406B/3406C PUMP BODY - CAMSHAFT (NEW SCROLL)



DIPACO, Inc.

105 East Parr Boulevard, Reno, Nevada 89512 ■ USA

[www.dipaco.com](http://www.dipaco.com) ■ [sales@dipaco.com](mailto:sales@dipaco.com)

Telephone: (775) 329-7511 ■ Fax: (775) 329-9740 ■ Toll Free: (800) 648-4720 ■ Toll Free Fax: (888) 320-7761



**3406B/3406C PUMP BODY - CAMSHAFT (NEW SCROLL)**

REF	PART	DESCRIPTION	QTY	REF	PART	DESCRIPTION	QTY
1	4F7957	BOLT	4				
2	9S4182	PLUG	1				
3	3J7354	SEAL	1				
4	1W5785	COVER	1				
5	1H9696	O RING	1				
6	1W3285	RACK BEARING	1				
7	8N0654	DOWEL	6				
8	2A0762	BOLT	14				
9	7W0683	COVER	1				
10	8N9374	GASKET	1				
11	1W3151	ELBOW ASSEMBLY	1				
	1W3153	ORIFICE	1				
	3J1907	SEAL	1				
12	2W5447	GASKET	1				
13	2W5448	COVER	1				
14	4F7957	BOLT	2				
15	8S6814	DOWEL PIN	1				
16	9S8001	PLUG	1				
-	4J7533	SEAL	1				
17	1S1953	RACK BEARING	1				
18	6V5894	BOLT	2				
19	8N9367	RACK	1				
20	7N7166	RACE	2				
21	7L3326	BEARING	1				
22	9S8007	PLUG	1				
-	7J0204	SEAL	1				
23	9N6668	BEARING	1				
24	8N9382	GASKET	1				
25	6V5894	BOLT	2				
26	8N2684	RING	1				
27	9S8007	PLUG	1				
-	7J0204	SEAL	1				
28	9S4182	PLUG	1				
29	3J7354	SEAL	1				
30	8N3731	PIN	6				
31	3H0442	O RING SEAL	6				
32	9S8003	O RING	1				
33	9N6667	BEARING	1				
34	7D1189	BEARING	1				
35	9J0114	RACE	2				
36	7W3102	CAMSHAFT	1				
37	6V5135	SETSCREW	4				

DIPACO, Inc.

105 East Parr Boulevard, Reno, Nevada 89512 ■ USA

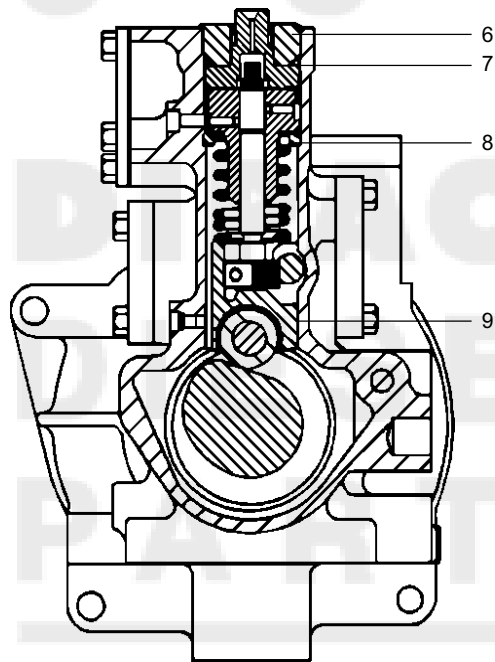
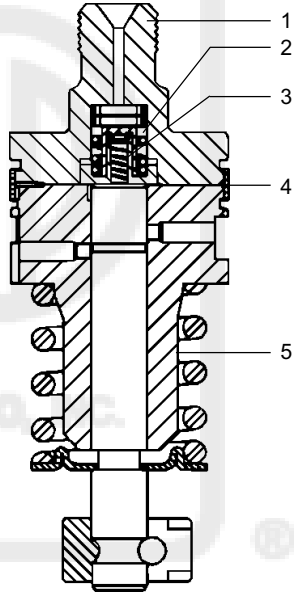
www.dipaco.com ■ sales@dipaco.com

Telephone: (775) 329-7511 ■ Fax: (775) 329-9740 ■ Toll Free: (800) 648-4720 ■ Toll Free Fax: (888) 320-7761



**DIPACO**  
**DIESEL**  
**PARTS**  
**U S A**

### 3406B/3406C PLUNGER & BARREL (NEW SCROLL)



DIPACO, Inc.

105 East Parr Boulevard, Reno, Nevada 89512 ■ USA

[www.dipaco.com](http://www.dipaco.com) ■ [sales@dipaco.com](mailto:sales@dipaco.com)

Telephone: (775) 329-7511 ■ Fax: (775) 329-9740 ■ Toll Free: (800) 648-4720 ■ Toll Free Fax: (888) 320-7761





### 3406B/3406C PLUNGER & BARREL (NEW SCROLL)

REF	PART	DESCRIPTION	QTY	REF	PART	DESCRIPTION	QTY
1	108-2102	BONNET	6				
2	4P7688	CHECK VALVE	6				
3	8N5993	SPRING	6				
4	1N3257	RETAINER RING	6				
5	108-6631	PLUNGER AND BARREL ASSEMBLY	6				
5	7W0182	PLUNGER AND BARREL ASSEMBLY	6				
5	7N1220	PLUNGER AND BARREL ASSEMBLY	6				
6	7C6617	BUSHING	6				
7	4D3107	SEAL O RING	6				
8	8N0672	SPACER	6				
9	7E6011	LIFTER	6				

DIPACO, Inc.

105 East Parr Boulevard, Reno, Nevada 89512 ■ USA

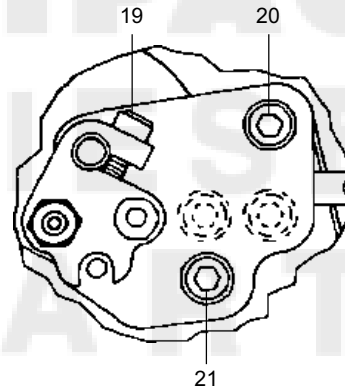
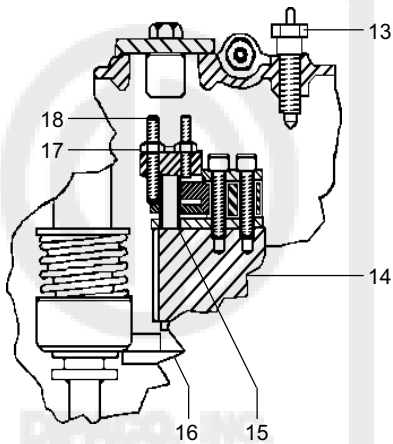
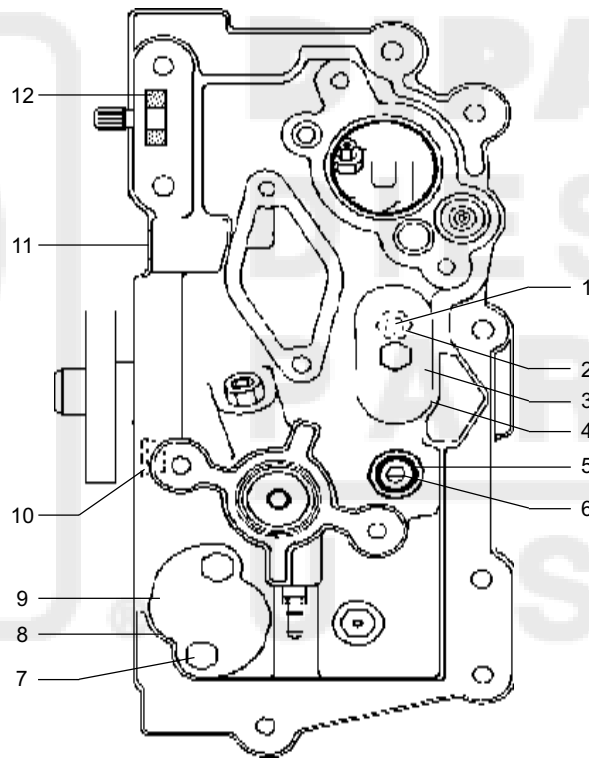
www.dipaco.com ■ sales@dipaco.com

Telephone: (775) 329-7511 ■ Fax: (775) 329-9740 ■ Toll Free: (800) 648-4720 ■ Toll Free Fax: (888) 320-7761



**DIPACO**  
**DIESEL**  
**PARTS**  
**U S A**

### 3406B MECHANICAL GOVERNOR (NEW SCROLL)



DIPACO, Inc.

105 East Parr Boulevard, Reno, Nevada 89512 ■ USA

www.dipaco.com ■ sales@dipaco.com

Telephone: (775) 329-7511 ■ Fax: (775) 329-9740 ■ Toll Free: (800) 648-4720 ■ Toll Free Fax: (888) 320-7761



**3406B MECHANICAL GOVERNOR (NEW SCROLL)**

REF	PART	DESCRIPTION	QTY	REF	PART	DESCRIPTION	QTY
1	1N3887	SETSCREW-SOCKET	1				
2	5B3180	JAM NUT	1				
3	1N3935	COVER	1				
4	8N3765	GASKET	1				
5	4W9362	SEALING NUT	1				
6	7N2594	SLOTTED SETSCREW	1				
7	2N5919	BOLT	2				
8	8N3765	GASKET	1				
9	8N3762	COVER	1				
10	9S8003	PLUG O RING	1				
-	1J9671	SEAL O RING	1				
11	9S8003	PLUG O RING	1				
-	1J9671	SEAL O RING	1				
12	6V5029	SEAL	1				
13	3P0009	INSULATOR STUD	1				
14	8N3956	BLOCK ASSEMBLY	1				
	8N3303	DOWEL	1				
15	1W4243	SPRING-BUMPER	1				
16	7W5836	BOLT ASSEMBLY	1				
17	4B2049	BOLT	1				
18	5H6552	SETSCREW	1				
19	6D3897	BOLT	1				
20	6L5551	BOLT	1				
21	6L5551	BOLT	1				

DIPACO, Inc.

105 East Parr Boulevard, Reno, Nevada 89512 ■ USA

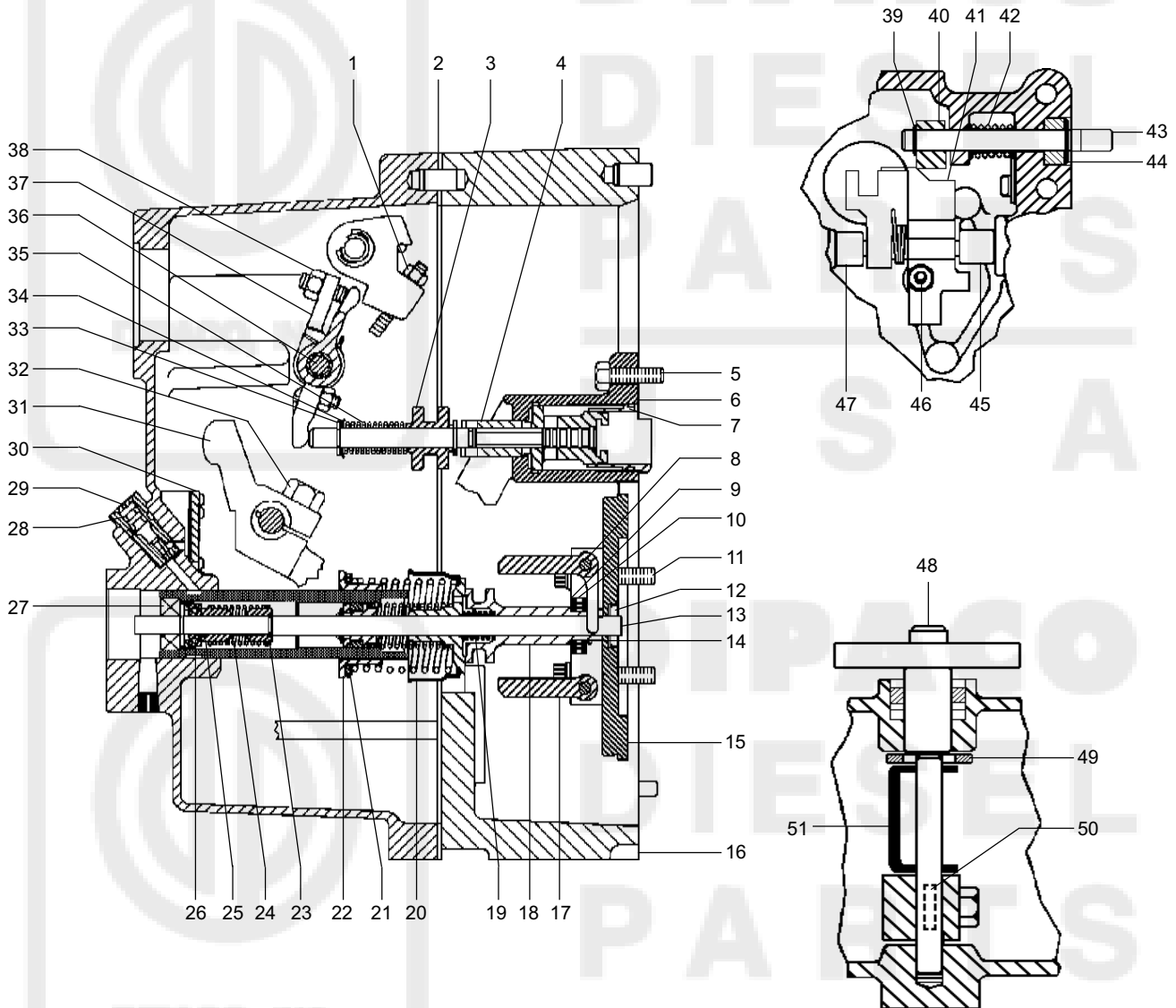
www.dipaco.com ■ sales@dipaco.com

Telephone: (775) 329-7511 ■ Fax: (775) 329-9740 ■ Toll Free: (800) 648-4720 ■ Toll Free Fax: (888) 320-7761



**DIPACO**  
**DIESEL**  
**PARTS**  
**U S A**

### 3406B MECHANICAL GOVERNOR (NEW SCROLL)



DIPACO, Inc.

105 East Parr Boulevard, Reno, Nevada 89512 ■ USA

www.dipaco.com ■ sales@dipaco.com

Telephone: (775) 329-7511 ■ Fax: (775) 329-9740 ■ Toll Free: (800) 648-4720 ■ Toll Free Fax: (888) 320-7761



**3406B MECHANICAL GOVERNOR (NEW SCROLL)**

REF	PART	DESCRIPTION	QTY	REF	PART	DESCRIPTION	QTY
1	5H6552	SETSCREW	1	38	6V6835	SETSCREW	1
-	4B2049	NUT	1	-	4B2049	NUT	1
2	8N9384	GASKET	1	39	2M7819	RING	1
3	1N3800	SLEEVE	1	40	2W0800	LEVER	1
4	1W4098	PISTON	1	41	4W5734	LEVER ASSEMBLY	1
5	031-0216	BOLT	3	42	2W0799	SPRING	1
6	8N2507	PISTON ASSEMBLY	1	43	2W0801	SHAFT	1
	8N2505	VALVE GOVERNOR	1	44	8S7803	RING	1
	7N7271	LEVER	1	45	1W3961	SPACER	1
	3G3835	PIN	1	46	6V6835	SETSCREW	1
7	5P9757	SEAL	1	-	4B2049	NUT	1
8	1S5440	DOWEL	1	47	1W3962	SPACER	1
9	4N2927	RACE	2	48	1W5337	SHAFT ASSEMBLY	1
10	7M7219	BEARING	1	49	1K3047	WASHER	1
11	5P9087	BOLT	4	50	5H2532	KEY	1
12	4N9019	DOWEL	1	51	2W6102	LEVER	1
13	8N2510	SHAFT	1				
14	4N2953	RING	1				
15	8N2511	CARRIER	1				
16	8N9680	HOUSING ASSEMBLY	1				
	8S6814	PIN (LONG)	4				
	4F6024	PIN (SHORT)	2				
17	7N7264	WEIGHT	4				
18	4W6868	RISER	1				
19	7N7267	SPRING	1				
20	7W4068	DASHPOT ASSEMBLY	1				
	7W4882	SPRING	1				
	7N7268	SEAT	1				
	1N3861	SHIELD	1				
	4N6408	PISTON ASSEMBLY	1				
	4N6407	SPOOL	1				
	4N6406	SPACER RING	1				
	4N6404	RETAINING RING	1				
21	2P9556	WASHER	1				
-	2N0828	SPRING WASHER	1				
22	6N3504	SEAT	1				
23	7N8821	RING	2				
24	3K5733	SPRING	1				
25	7N7270	SLEEVE	2				
26	4N0432	BEARING	1				
27	4N0260	SEAL	1				
28	7W4182	VALVE BODY	1				
-	5F9144	SEAL	1				
29	4N5484	VALVE	1				
-	6H9691	SEAL	1				
30	8N3760	COVER	1				
-	8N3761	GASKET	1				
-	030-9615	SCREW	4				
31	1W5342	LEVER	1				
32	0S1588	BOLT	1				
33	2M7819	RING	2				
34	1N3802	SEAT	1				
35	2W2216	SPRING	1				
36	4N5621	SHAFT	1				
37	4W5735	LEVER ASSEMBLY	1				

DIPACO, Inc.

105 East Parr Boulevard, Reno, Nevada 89512 ■ USA

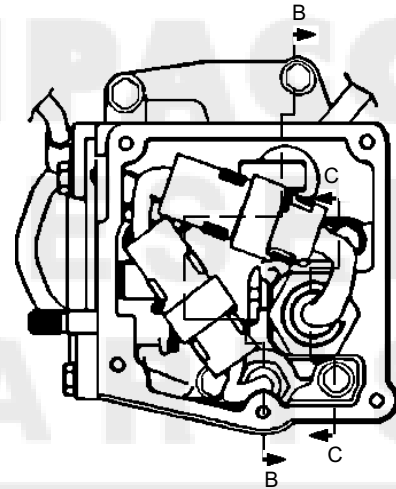
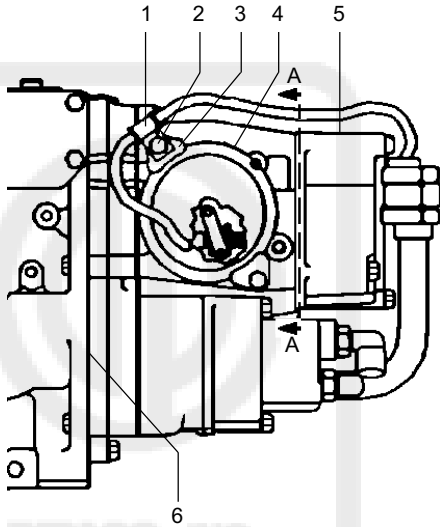
www.dipaco.com ■ sales@dipaco.com

Telephone: (775) 329-7511 ■ Fax: (775) 329-9740 ■ Toll Free: (800) 648-4720 ■ Toll Free Fax: (888) 320-7761

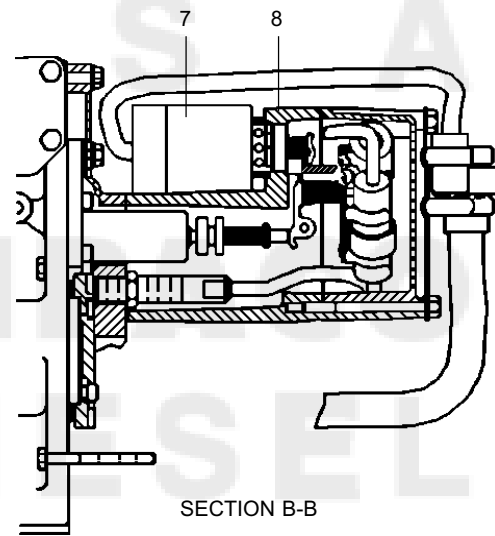
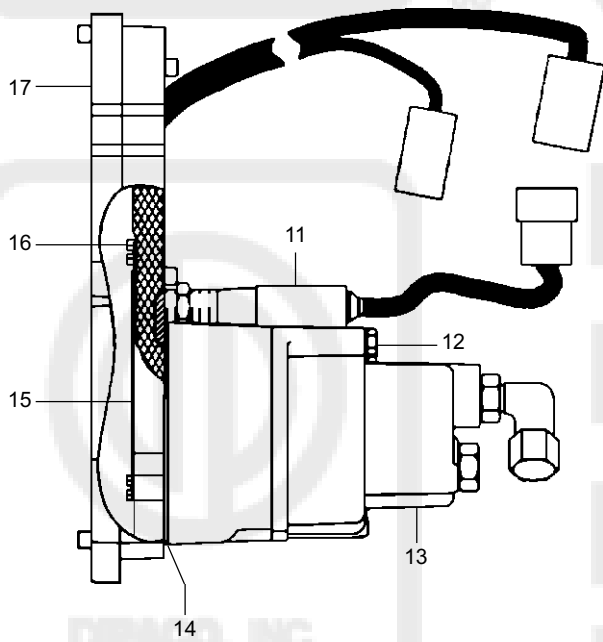


**DIPACO**  
**DIESEL**  
**PARTS**  
**U S A**

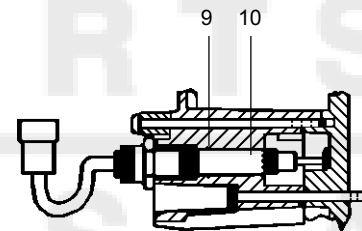
### 3406C ELECTRONIC GOVERNOR



SECTION A-A



SECTION B-B



SECTION C-C

DIPACO, Inc.

105 East Parr Boulevard, Reno, Nevada 89512 ■ USA

www.dipaco.com ■ sales@dipaco.com

Telephone: (775) 329-7511 ■ Fax: (775) 329-9740 ■ Toll Free: (800) 648-4720 ■ Toll Free Fax: (888) 320-7761



**3406C ELECTRONIC GOVERNOR**

REF	PART	DESCRIPTION	QTY	REF	PART	DESCRIPTION	QTY
1	8M2771	CLIP	1				
2	0S1347	BOLT	2				
3	4W2482	CLAMP	2				
4	100-7055	SOLENOID-ROTARY	1				
-	2H3931	O RING	1				
5	4W2801	GOVERNOR-ELECTRONIC	1				
6	4W2491	GASKET	1				
7	3E0076	SOLENOID ASSEMBLY	1				
8	6V1903	O RING	1				
9	7F8607	O RING	1				
10	9X7793	CONTROL GROUP	1				
	6I1993	HOUSING	1				
11	3E1815	SENSOR-DIGITAL	1				
12	8S4710	BOLT	2				
-	5P0537	WASHER	2				
13	9X4450	CONTROL GROUP	1				
14	7W7290	GASKET	1				
15	4W2365	RETAINER	1				
16	9B1722	SCREW	3				
17	4W2619	HOUSING ASSEMBLY	1				
	6L2244	PIN (SPRING)	2				
	8S6814	PIN (DOWEL)	2				

DIPACO, Inc.

105 East Parr Boulevard, Reno, Nevada 89512 ■ USA

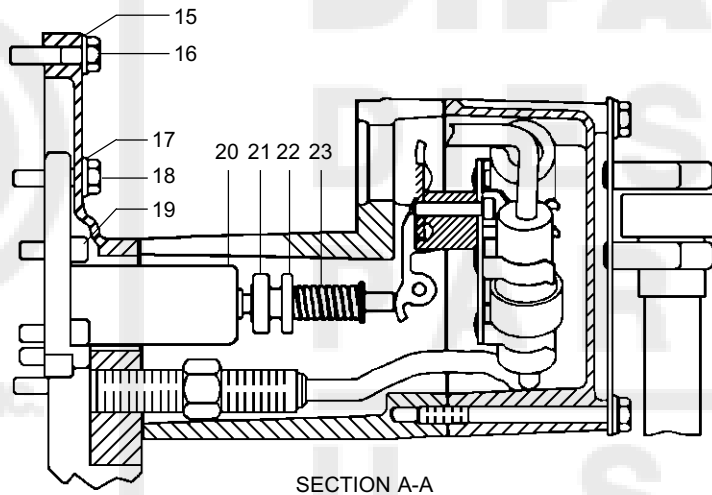
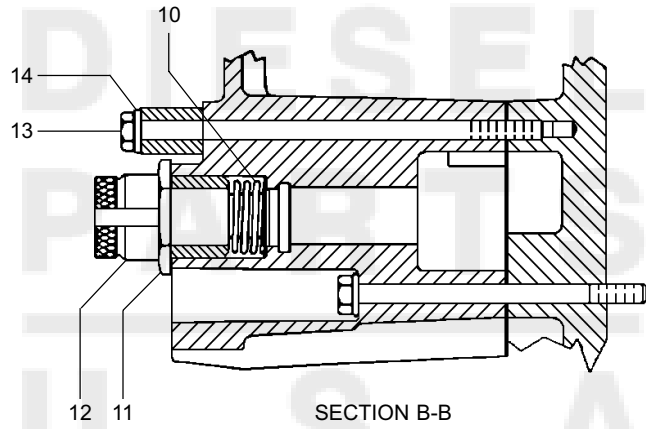
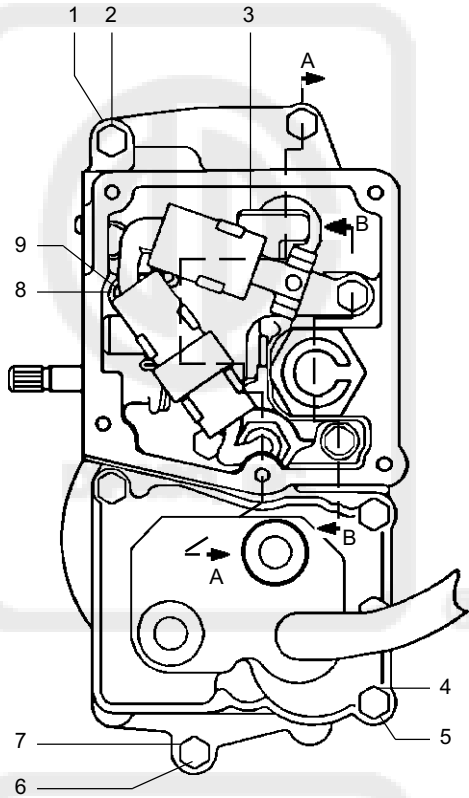
www.dipaco.com ■ sales@dipaco.com

Telephone: (775) 329-7511 ■ Fax: (775) 329-9740 ■ Toll Free: (800) 648-4720 ■ Toll Free Fax: (888) 320-7761



**DIPACO**  
**DIESEL**  
**PARTS**  
**U S A**

### 3406C ELECTRONIC GOVERNOR



DIPACO, Inc.

105 East Parr Boulevard, Reno, Nevada 89512 ■ USA

www.dipaco.com ■ sales@dipaco.com

Telephone: (775) 329-7511 ■ Fax: (775) 329-9740 ■ Toll Free: (800) 648-4720 ■ Toll Free Fax: (888) 320-7761





### 3406C ELECTRONIC GOVERNOR

REF	PART	DESCRIPTION	QTY	REF	PART	DESCRIPTION	QTY
1	5P0537	WASHER	9				
2	1B2714	BOLT	1				
3	4W9590	LEVER GROUP	1				
4	1B2717	BOLT	3				
5	5P0537	WASHER	9				
6	9F6580	BOLT	3				
7	5P0537	WASHER	9				
8	5P0537	WASHER	9				
9	2A5546	BOLT	1				
10	4B4909	SPRING	1				
11	4W2480	NUT	1				
12	4P9667	COLLAR	1				
13	1B2717	BOLT	3				
14	5P0537	WASHER	9				
15	5P0537	WASHER	9				
16	1B2717	BOLT	3				
17	5P0537	WASHER	9				
18	9F6580	BOLT	3				
19	7E3502	BOLT	3				
20	4P1367	PISTON ASSEMBLY	1				
	4P1372	PISTON	1				
	5P9757	O RING	1				
	7W7809	VALVE	1				
21	2M7819	RETAINER RING	2				
22	1N3800	SLEEVE	1				
23	1N3801	SPRING	1				

DIPACO, Inc.

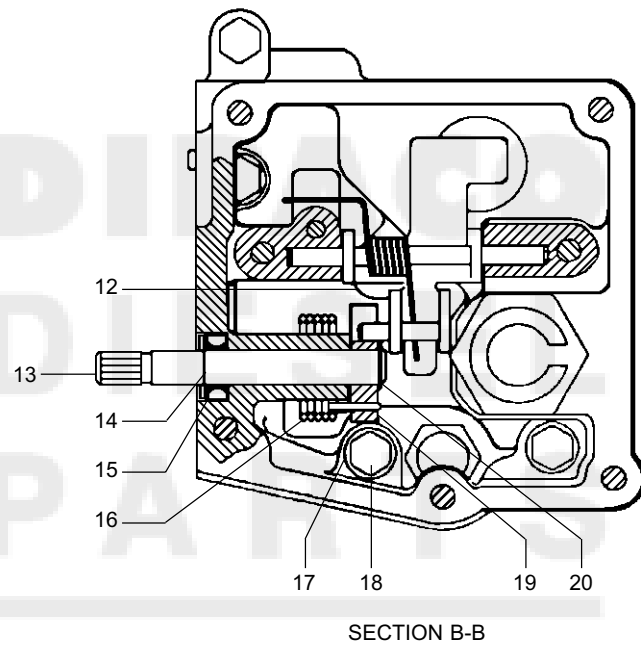
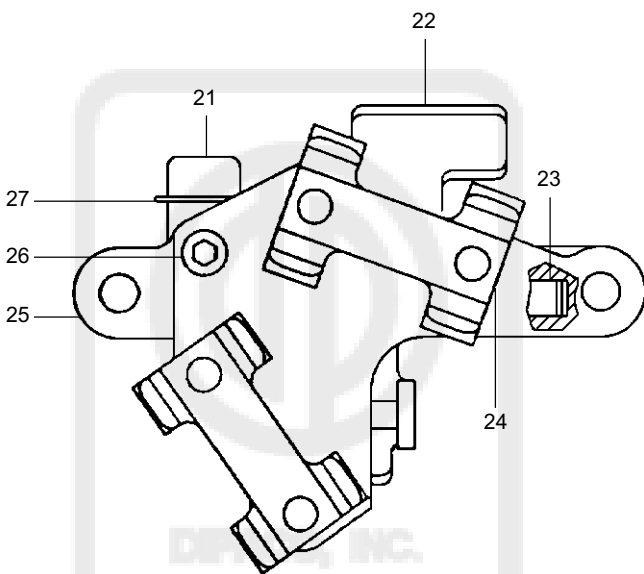
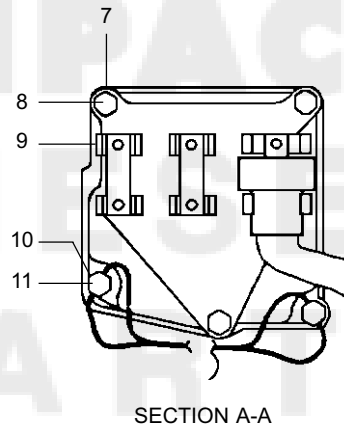
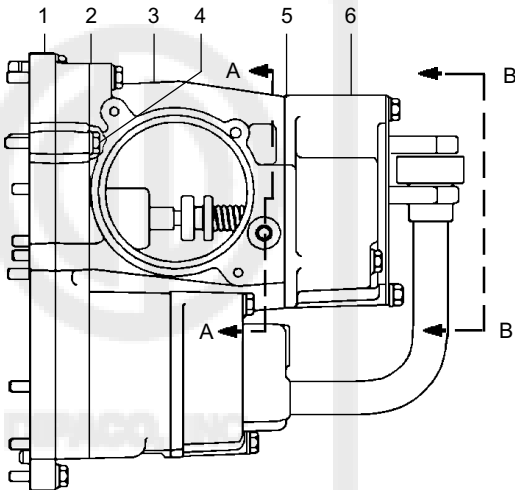
105 East Parr Boulevard, Reno, Nevada 89512 ■ USA

www.dipaco.com ■ sales@dipaco.com

Telephone: (775) 329-7511 ■ Fax: (775) 329-9740 ■ Toll Free: (800) 648-4720 ■ Toll Free Fax: (888) 320-7761



### 3406C ELECTRONIC GOVERNOR



DIPACO, Inc.

105 East Parr Boulevard, Reno, Nevada 89512 ■ USA

www.dipaco.com ■ sales@dipaco.com

Telephone: (775) 329-7511 ■ Fax: (775) 329-9740 ■ Toll Free: (800) 648-4720 ■ Toll Free Fax: (888) 320-7761



### 3406C ELECTRONIC GOVERNOR

REF	PART	DESCRIPTION	QTY	REF	PART	DESCRIPTION	QTY
1	7E5398	HOUSING	1				
2	4W2488	GASKET	1				
3	4W2525	HOUSING ASSEMBLY	1				
4	8B2377	BOLT	1				
-	5P0537	WASHER	8				
5	4W2489	GASKET	1				
6	4W2283	COVER	1				
7	5P0537	WASHER	8				
8	4B9365	BOLT	3				
9	7C2646	CLIP ASSEMBLY	1				
-	8C3334	RIVET	6				
10	6L1559	BOLT	2				
11	5P0537	WASHER	8				
12	2A5546	BOLT	2				
-	5P0537	WASHER	8				
13	4W2372	SHAFT	1				
14	8S7803	RETAINING RING	1				
15	6V5029	SEAL	1				
16	7W9850	SPRING	1				
17	5P0537	WASHER	8				
18	2A5546	BOLT	2				
19	4W2371	LEVER	1				
20	2W7819	RETAINING RING	1				
21	4W6962	PLATE	1				
22	4P1351	LEVER ASSEMBLY	1				
	6H3956	PIN	1				
23	4W6961	SHAFT	1				
24	9Y7836	CLIP ASSEMBLY	1				
	8C3334	RIVET	4				
25	4W6963	CLAMP	1				
26	1H3340	BOLT	1				
27	4W2484	SPRING	1				

DIPACO, Inc.

105 East Parr Boulevard, Reno, Nevada 89512 ■ USA

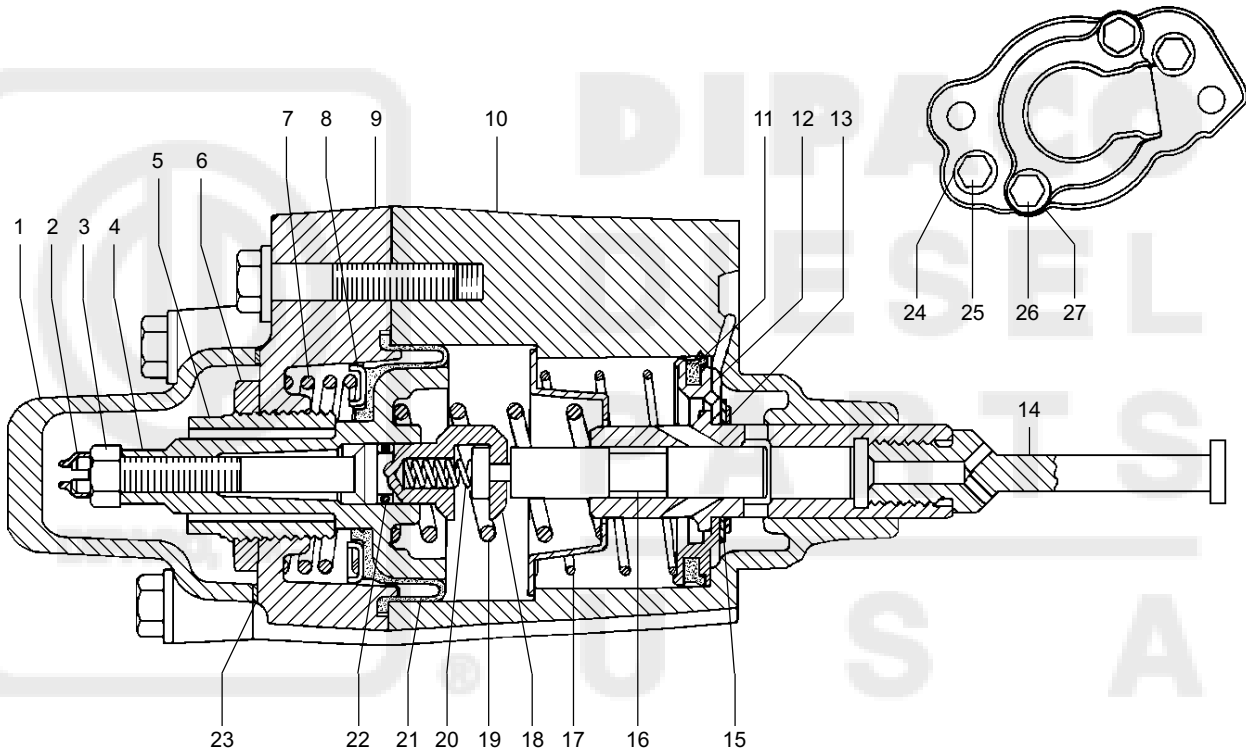
www.dipaco.com ■ sales@dipaco.com

Telephone: (775) 329-7511 ■ Fax: (775) 329-9740 ■ Toll Free: (800) 648-4720 ■ Toll Free Fax: (888) 320-7761

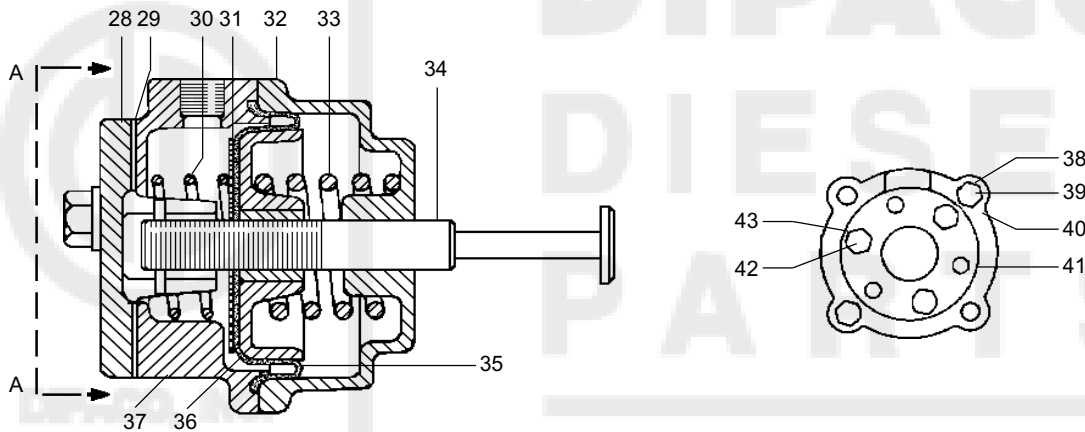


**DIPACO**  
**DIESEL**  
**PARTS**  
**U S A**

## AIR FUEL RATIO (ALL FUEL PUMPS)



**NEW SCROLL**



**SLEEVE METERING**

DIPACO, Inc.

105 East Parr Boulevard, Reno, Nevada 89512 ■ USA

www.dipaco.com ■ sales@dipaco.com

Telephone: (775) 329-7511 ■ Fax: (775) 329-9740 ■ Toll Free: (800) 648-4720 ■ Toll Free Fax: (888) 320-7761



**AIR FUEL RATIO (ALL FUEL PUMPS)**

REF	PART	DESCRIPTION	QTY	REF	PART	DESCRIPTION	QTY
1	1W2076	COVER	1				
2	6V2689	TUBE .007M	1				
3	1B4201	NUT	1				
4	4W0924	RETAINER	1				
5	7N9215	STOP	1				
6	3S4701	NUT	1				
7	7N9160	SPRING	1				
8	7N9216	WASHER	1				
9	7N8502	COVER	1				
10	7N9062	HOUSING	1				
11	8N5763	SEAL	1				
12	8N5764	PISTON	1				
13	8F4610	RING	1				
14	2W9316	VALVE ASSEMBLY	1				
15	2W9315	WASHER	2				
16	7N9036	VALVE (INTERNAL)	1				
17	8N5765	SPRING	1				
18	7N8316	EXTENSION (VALVE)	1				
19	7N9159	SPRING	1				
20	9N1754	SPRING	1				
21	4W1034	DIAPHRAGM	1				
22	7J0204	SEAL	1				
23	4P9608	GASKET	1				
24	5P0537	WASHER	2				
25	2A5546	BOLT	2				
26	5P6945	BOLT	2				
27	5P0537	WASHER	2				
28	6L5764	COVER	1				
29	6L5766	GASKET	1				
30	6N1606	SPRING	1				
31	6L5769	WASHER	1				
32	6N1603	HOUSING ASSEMBLY	1				
33	6N0968	SPRING	1				
34	9N0866	BOLT	1				
35	4S7458	DIAPHRAGM	1				
36	5S6120	RETAINER ASSEMBLY	1				
37	6L5767	COVER	1				
38	6N7523	WASHER	2				
39	4F7957	BOLT	2				
40	5S6120	RETAINER ASSEMBLY	1				
41	6L5767	COVER	1				
42	2N5919	BOLT	3				
43	6N7523	WASHER	3				

DIPACO, Inc.

105 East Parr Boulevard, Reno, Nevada 89512 ■ USA

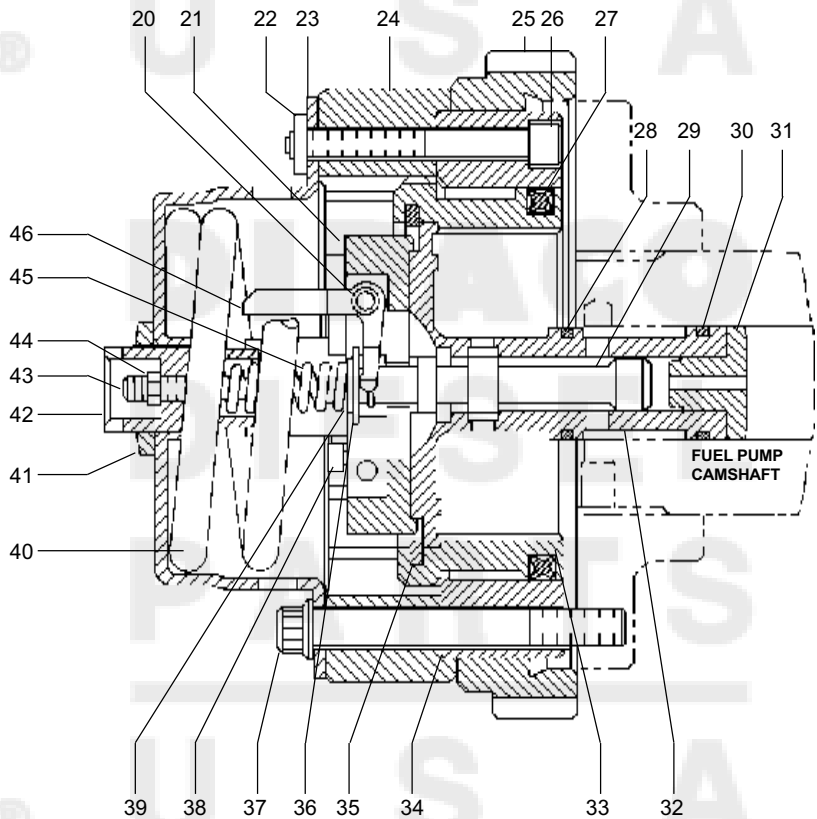
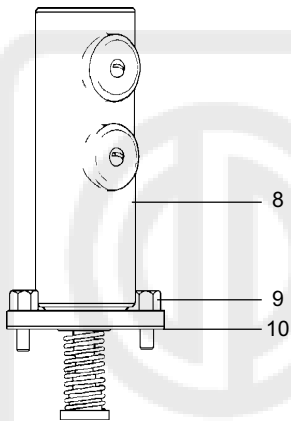
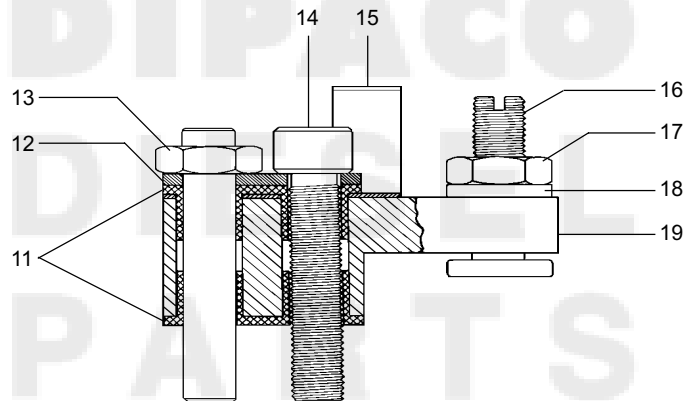
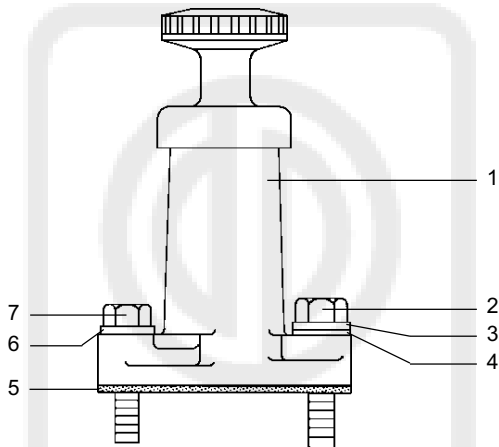
www.dipaco.com ■ sales@dipaco.com

Telephone: (775) 329-7511 ■ Fax: (775) 329-9740 ■ Toll Free: (800) 648-4720 ■ Toll Free Fax: (888) 320-7761



**DIPACO**  
**DIESEL**  
**PARTS**  
**U S A**

## PRIMER PUMP - SOLENOID - TORQUE CONTROL AUTOMATIC TIMING ADVANCE UNIT (ALL FUEL PUMPS)



DIPACO, Inc.

105 East Parr Boulevard, Reno, Nevada 89512 ■ USA

www.dipaco.com ■ sales@dipaco.com

Telephone: (775) 329-7511 ■ Fax: (775) 329-9740 ■ Toll Free: (800) 648-4720 ■ Toll Free Fax: (888) 320-7761



**PRIMER PUMP - SOLENOID - TORQUE CONTROL  
 AUTOMATIC TIMING ADVANCE UNIT (ALL FUEL PUMPS)**

REF	PART	DESCRIPTION	QTY	REF	PART	DESCRIPTION	QTY
		<b>PRIMER PUMPS</b>				<b>AUTOMATIC TIMING ADVANCE UNIT</b>	
1	4W0788	3208, 3300 SERIES, 3400B SERIES PUMP ASSEMBLY	1	20	1S5440	DOWEL	4
2	1H5514	BOLT	1	21	1W5434	CARRIER	4
3	9M1974	WASHER	1	22	5P3383	NUT	2
4	5P0537	WASHER	1	23	1W5441	RETAINING ASSEMBLY	1
5	1P0436	GASKET	1	24	1W5431	RING	1
6	9M1974	WASHER	1	25	7W0993	GEAR (64 TEETH)	1
7	9F7022	BOLT	1	26	6H3958	BOLT	4
		<b>SOLENOID ASSEMBLY</b>		27	4W0436	SEAL	1
8	8C5523	12V SOLENOID ASSEMBLY	1	28	4W0435	SEAL	1
9	4F7957	BOLT	2	29	1W5438	SPOOL	1
10	4N0117	GASKET	1	30	4W4616	SEAL	1
8	8C5524	24V SOLENOID ASSEMBLY	1	31	4W4617	PLUG	1
9	4F7957	BOLT	2	32	4W4618	BODY	1
10	4N0117	GASKET	1	33	1W5436	CARRIER	1
8	8C4772	32V SOLENOID ASSEMBLY	1	34	7W3218	RING	1
9	4F7957	BOLT	2	35	8F1145	RING	1
10	4N0117	GASKET	1	36	4N2927	RACE	1
8	8C4772	32V SOLENOID ASSEMBLY	1	37	6V7543	BOLT	4
9	9F6580	BOLT	2	38	6L5897	BOLT	4
10	6I2002	GASKET	1	39	8S7803	RING	1
		<b>TORQUE CONTROL</b>		40	1W5427	SPRING	1
11	1P6452	INSULATOR	2	41	3S4701	NUT	1
12	8M9064	SHIM	1	42	4W0811	SCREW	1
13	4L6458	NUT	1	43	5H6552	SETSCREW	1
14	4L7124	BOLT	1	44	4B2049	NUT	1
15	4N3882	CONTACT	1	45	2W4742	SPRING	1
16	4N3881	SCREW	1	46	7N7264	WEIGHT	4
17	9M1311	NUT	1				
18	4N3884	WASHER	1				
19	4N3883	BAR	1				
		<b>LIFT PUMP REPAIR KITS</b>					
-	DPE22240	REPAIR KIT 3300-3406 SERIES	1				
-	DPE22245	REPAIR KIT 1W1695-1W1700 PUMP GROUP-LATE 3300-3406 SERIES 7N6831 PUMP GROUP-EARLY	1				

DIPACO, Inc.

105 East Parr Boulevard, Reno, Nevada 89512 ■ USA

www.dipaco.com ■ sales@dipaco.com

Telephone: (775) 329-7511 ■ Fax: (775) 329-9740 ■ Toll Free: (800) 648-4720 ■ Toll Free Fax: (888) 320-7761



**OVERHAUL GASKET SETS**

<b>PART NUMBER</b>	<b>DESCRIPTION</b>	<b>APPLICATION</b>
DPE3208	GASKET SET	3208
DPE3208A	OVERHAUL GASKET SET	3208
DPE3208OH	OVERHAUL GASKET KIT	3208
DPE3208OHS	SUPER OVERHAUL GASKET SET	3208
DPE3208PM	PUMP MOUNT GASKET KIT	3208
DPE22240	LIFT PUMP REPAIR KIT (1W1695-1W1700 PUMP GROUP-LATE)	3300-3406 SERIES
DPE22245	LIFT PUMP REPAIR KIT (7N6831 PUMP GROUP-EARLY)	3300-3406 SERIES
DPE3300SC	SCROLL GASKET KIT	3300 SERIES
DPE3300SL	SLEEVE METERING GASKET KIT	3300 SERIES
DPE3300SLOH	SLEEVE METERING OVERHAUL GASKET KIT	3300 SERIES
DPE3300SLOHS	SLEEVE METERING SUPER OVERHAUL GASKET KIT	3300 SERIES
DPE3300SLPM	SLEEVE METERING PUMP MOUNT GASKET KIT	3300 SERIES
DPE3406BPM	NEW SCROLL PUMP MOUNT GASKET KIT	3406B
DPE43406	NEW SCROLL INJECTOR INSTALLATION KIT	3406B
DPE3406A	NEW SCROLL OVERHAUL GASKET KIT	3406B
DPE3406B	OVERHAUL GASKET KIT (W/ MECHANICAL GOVERNORS)	3406 B&C
DPE3406C	OVERHAUL GASKET KIT (W/ ELECTRONIC GOVERNORS)	3406C

DIPACO has developed special gasket sets and overhaul gasket sets for Caterpillar fuel pumps. These sets are designed to contain all of the gaskets, seals, o-rings, and other items you need to work on any fuel pump within the applicable series. These sets eliminate the need for a fuel shop to stock numerous different versions of gasket sets for one fuel pump series, saving the fuel shop time and money.



DIPACO, Inc.

105 East Parr Boulevard, Reno, Nevada 89512 ■ USA

www.dipaco.com ■ sales@dipaco.com

Telephone: (775) 329-7511 ■ Fax: (775) 329-9740 ■ Toll Free: (800) 648-4720 ■ Toll Free Fax: (888) 320-7761





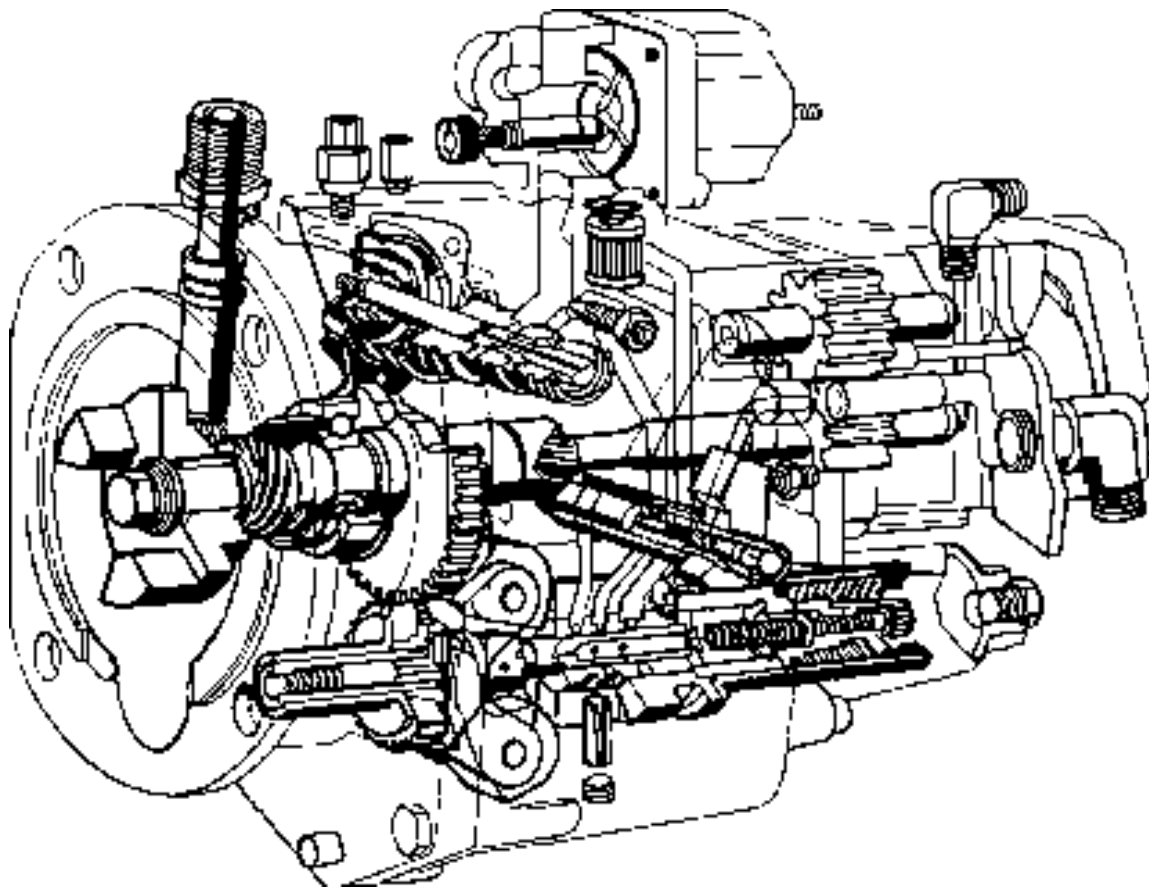
**DIPACO**  
**DIESEL**  
**PARTS**  

---

**U S A**

# **DIPACO Parts Catalog For Cummins Fuel Injection Systems**

**November 1998**



DIPACO, Inc.

105 East Parr Boulevard, Reno, Nevada 89512 USA

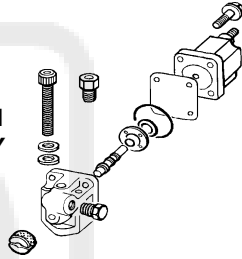
[www.dipaco.com](http://www.dipaco.com) ■ [sales@dipaco.com](mailto:sales@dipaco.com)

Telephone: (775) 329-7511 ■ Fax: (775) 329-9740 ■ Toll Free: (800) 648-4720 ■ Toll Free Fax: (888) 320-7761

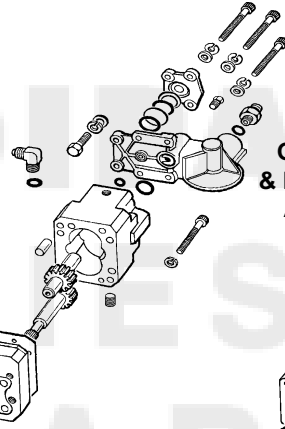


## PICTORIAL TABLE OF CONTENTS

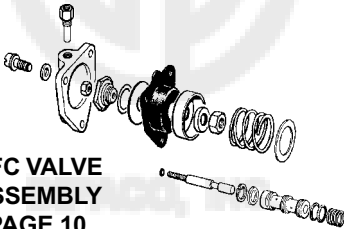
**FUEL SHUTDOWN  
VALVE ASSEMBLY**  
PAGE 32



**GEAR PUMP  
& FILTER HEAD  
ASSEMBLY**  
PAGE 34



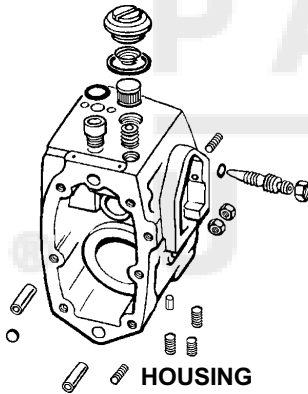
**AFC VALVE  
ASSEMBLY**  
PAGE 10  
**DUAL SPRING**  
PAGE 12



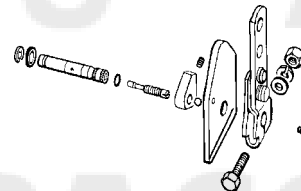
**GOVERNOR  
SPRING PACK  
ASSEMBLY**  
PAGE 26  
VS PAGE 28



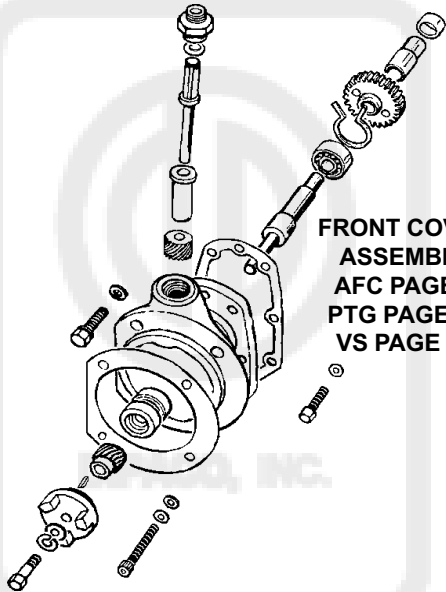
**HOUSING  
ASSEMBLY**  
AFC PAGE 4  
PTG PAGE 14  
VS PAGE 20



**THROTTLE SHAFT  
ASSEMBLY**  
AFC PAGE 8  
PTG PAGE 18



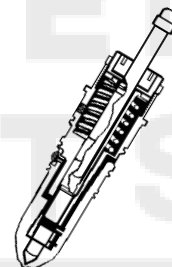
**FRONT COVER  
ASSEMBLY**  
AFC PAGE 6  
PTG PAGE 16  
VS PAGE 22



**GOVERNOR  
ASSEMBLY**  
PAGE 30



**INJECTOR  
ASSEMBLY**  
PAGE 44  
THROUGH  
PAGE 57



DIPACO, Inc.

105 East Parr Boulevard, Reno, Nevada 89512 USA

www.dipaco.com ■ sales@dipaco.com

Telephone: (775) 329-7511 ■ Fax: (775) 329-9740 ■ Toll Free: (800) 648-4720 ■ Toll Free Fax: (888) 320-7761



## TABLE OF CONTENTS

TOPIC	PAGE
AFC PUMP HOUSING .....	4
AFC FRONT COVER .....	6
AFC THROTTLE ASSEMBLY .....	8
AFC VALVE ASSEMBLY .....	10
AFC DUAL SPRING VALVE ASSEMBLY .....	12
PTG PUMP HOUSING .....	14
PTG FRONT COVER .....	16
PTG THROTTLE ASSEMBLY .....	18
VS PUMP HOUSING .....	20
VS FRONT COVER .....	22
VS UPPER SPRING PACK .....	24
STANDARD GOVERNOR SPRING PACK .....	26
VS GOVERNOR SPRING PACK .....	28
GOVERNOR ASSEMBLY .....	30
FUEL SHUTDOWN VALVE ASSEMBLY .....	32
GEAR PUMP AND DAMPER ASSEMBLY .....	34
CELECT™ FUEL SYSTEM .....	36
STC VALVE WITH DIAPHRAGM .....	38
STC VALVE WITH GASKET .....	40
TORQUE MODIFYING DEVICE .....	42
PTD INJECTOR ASSY .....	44
TOP STOP INJECTOR ASSY .....	46
5/16 PTD INJECTOR ASSY .....	48
K-PTD INJECTOR ASSY .....	50
NT-STC INJECTOR ASSY .....	52
K-STC INJECTOR ASSY .....	54
L-10 INJECTOR ASSY .....	56
PTG GASKET SET AND SPECIAL DIPACO OVERHAUL GASKET SET CONTENTS .....	66
AFC GASKET SET AND SPECIAL DIPACO OVERHAUL GASKET SET CONTENTS .....	68
O RING SPECIFICATIONS .....	70
PUMP TORQUE SPECIFICATIONS .....	72
FRONT COVER AND MAIN SHAFT SEAL INFORMATION .....	74
CALIBRATION KIT FOR PT FUEL SYSTEMS .....	76

NOTE: Each parts illustration is accompanied by a parts list. When a part number is indented, it is included with the part number under which it is indented.

The information presented in this catalog has been adapted from published information and is believed to be correct. If in doubt, refer to current Cummins repair manuals or contact DIPACO DIESEL PARTS. DIPACO DIESEL PARTS is continually adding new parts to our line. For parts availability, please consult our current price list or contact your DIPACO distributor or DIPACO. Manufacturer names, numbers, or descriptions are used as reference only.

DIPACO, Inc.

105 East Parr Boulevard, Reno, Nevada 89512 USA

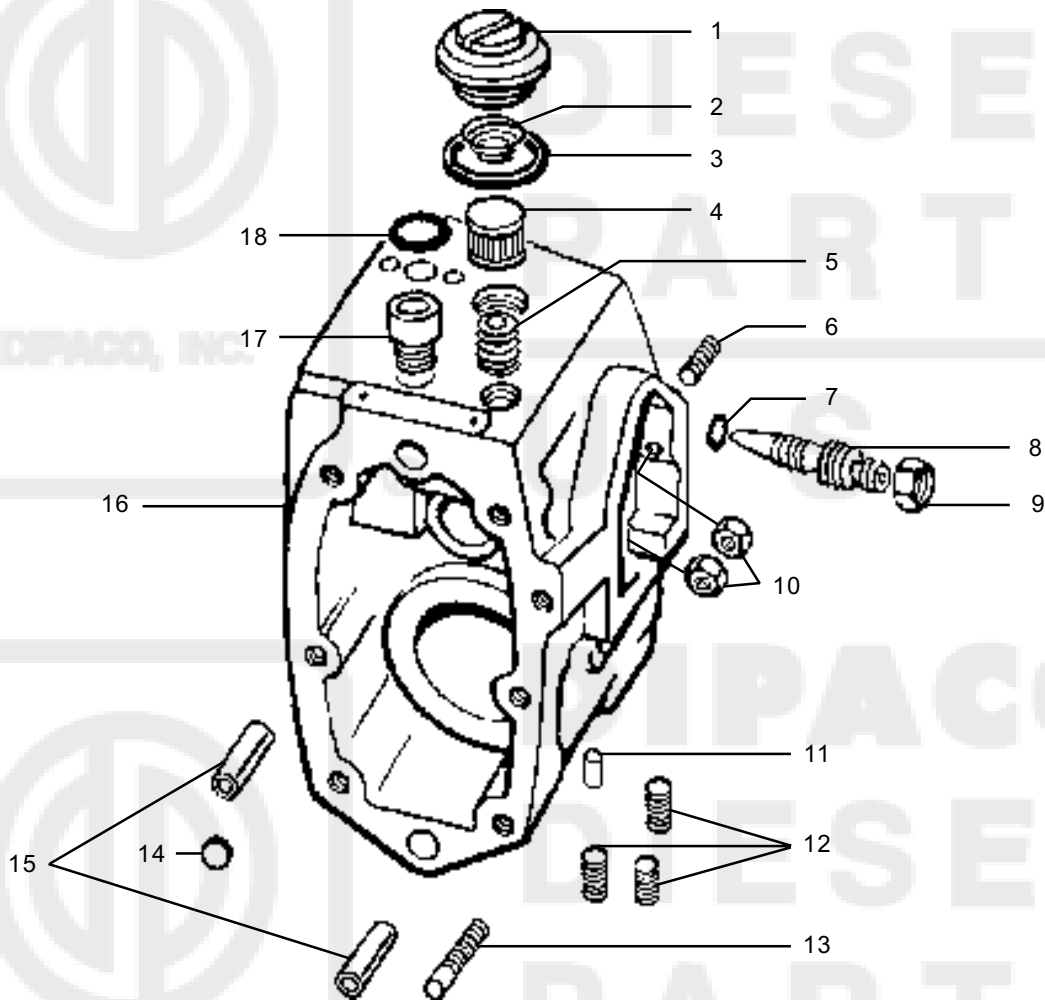
www.dipaco.com ■ sales@dipaco.com

Telephone: (775) 329-7511 ■ Fax: (775) 329-9740 ■ Toll Free: (800) 648-4720 ■ Toll Free Fax: (888) 320-7761



**DIPACO**  
**DIESEL**  
**PARTS**  
**U S A**

### AFC PUMP HOUSING



DIPACO, Inc.

105 East Parr Boulevard, Reno, Nevada 89512 USA

www.dipaco.com ■ sales@dipaco.com

Telephone: (775) 329-7511 ■ Fax: (775) 329-9740 ■ Toll Free: (800) 648-4720 ■ Toll Free Fax: (888) 320-7761



### AFC PUMP HOUSING

REF	PART	DESCRIPTION	QTY	REF	PART	DESCRIPTION	QTY
1	157088	CAP, FUEL PUMP FILTER	1				
2	70700	SPRING, FILTER	1				
3	154088	O RING	1				
4	146483	FILTER SCREEN WITH MAGNET	1				
4	137808	FILTER SCREEN W/O MAGNET	1				
4	149767	FILTER SCREEN WITH MAGNET	1				
4	149767N	FILTER SCREEN W/O MAGNET	1				
5	68607	PIPE PLUG	1				
6	195755	SET SCREW	1				
7	68061A	O RING	1				
8	214144	NEEDLE VALVE	1				
9	S248	NUT, NEEDLE VALVE	1				
10	S251	NUT, ADJUSTING SCREW	2				
11	163733	ROLL PIN	1				
12	3025460	PIPE PLUG	3				
13	3046407	SETSCREW	1				
14	214139	BALL PLUG	1				
15	118227	DOWEL	2				
16	3059632	PUMP HOUSING, VENTED	1				
17	3018888	CONNECTION	1				
18	154087	O RING	1				

DIPACO, Inc.

105 East Parr Boulevard, Reno, Nevada 89512 USA

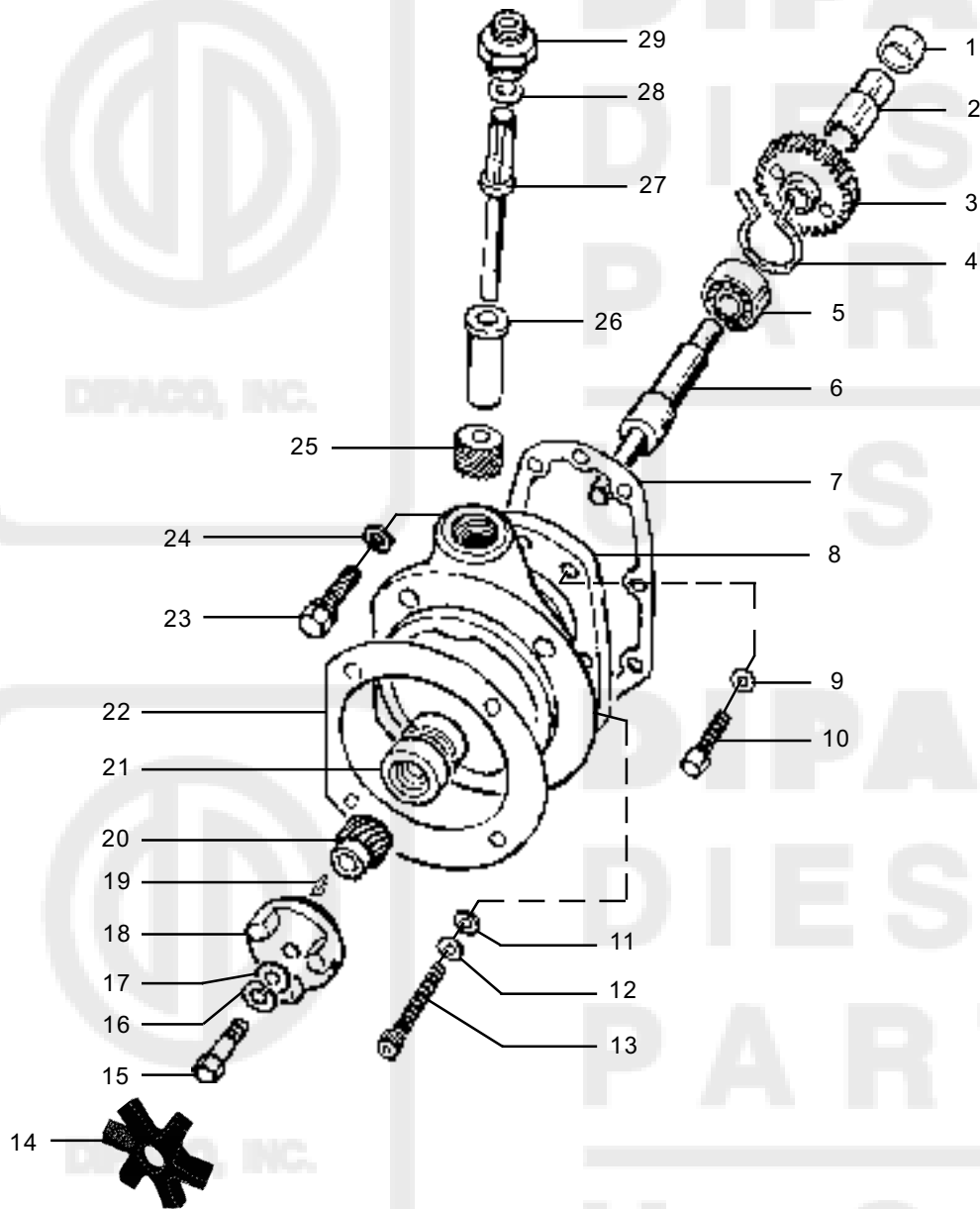
www.dipaco.com ■ sales@dipaco.com

Telephone: (775) 329-7511 ■ Fax: (775) 329-9740 ■ Toll Free: (800) 648-4720 ■ Toll Free Fax: (888) 320-7761



**DIPACO**  
**DIESEL**  
**PARTS**  
**U S A**

### AFC FRONT COVER



DIPACO, Inc.

105 East Parr Boulevard, Reno, Nevada 89512 USA

www.dipaco.com ■ sales@dipaco.com

Telephone: (775) 329-7511 ■ Fax: (775) 329-9740 ■ Toll Free: (800) 648-4720 ■ Toll Free Fax: (888) 320-7761



**AFC FRONT COVER**

REF	PART	DESCRIPTION	QTY	REF	PART	DESCRIPTION	QTY
1	100193	BUSHING	1	-	3803676	CONVERSION KIT	
2	212639	DRIVE COUPLING	1		3075524	HOUSING	1
3	212605	DRIVE GEAR	1		3075523	SEAL	1
4	212604	RETAINER	1		3062676	SEAL	1
5	S16052	BEARING	1				
6	212601	MAIN DRIVE SHAFT	1	-	DPE890015	FRONT COVER SEAL KIT	1
7	100764	GASKET W/O BLEED HOLE	1		D100764	GASKET, FRONT COVER	1
7	3063052	GASKET WITH BLEED HOLE	1		D212601	SHAFT, AFC MAIN	1
8	3063054	FRONT COVER (*See Note)	1		D3062676	SEAL (Metal Case - Green Coat)	2
8	3075524	FRONT COVER, NEW STYLE (*See Note)	1		D212603	SEAL, AFC TACH SHAFT	1
					D212607	SHAFT, AFC TACH	1
9	70704	WASHER	4		D3018682	CAPSCREW	1
10	3017051	CAPSCREW	3		D3000446	COVER, AFC THROTTLE SHAFT	1
11	103089	WASHER	2		D3069103	GASKET, FUEL PUMP MOUNT	1
12	S606	LOCK WASHER	2		D163945	SNAP RING, THROTTLE SHAFT	1
13	118226	CAPSCREW	2		DS2286	SCREW, NAMEPLATE MOUNTING	2
14	162426	SPIDER (Black)	1		D162426	SPIDER (Black)	1
14	3046200	SPIDER (White) NYLON	1		D100478	O RING, VITON	1
15	S110	CAPSCREW	1		DPE30200	DECAL	1
16	S605	LOCK WASHER	1		D3063052	GASKET	1
17	146160	WASHER	1				
18	212613	DRIVE COUPLING	1				
19	212668	KEY	1				
20	212602	TACH DRIVE GEAR (RH)	1				
20	216906	TACH DRIVE GEAR (LH)	1				
21	3062676	SEAL (Metal Case, Green Coated) (*See Note)	2				
21	3009625	SEAL (Metal Case) (*See Note)	2				
21	3075523	SEAL (New Style Front Cover) (*See Note)	2				
22	3069103	GASKET	1				
23	3018682	CAPSCREW, SEALING	1				
24	70704	WASHER	4				
25	212610	GEAR, TACH SHAFT (RH) [**Assy]	1				
25	216911	GEAR, TACH SHAFT (LH) [**Assy]	1				
26	212609	BUSHING	4				
27	212607	TACH SHAFT	1				
28	212603	SEAL	1				
29	3002110	ADAPTER	1				
-	3040815	PLUG, TACH DRIVE	1				
-	3040817	O RING, TACH DRIVE PLUG	1				
-	3015665	**TACH DRIVE ASSEMBLY (RH)	1				
	212607	TACH SHAFT	1				
	212609	BUSHING	1				
	212610	TACH SHAFT GEAR (RH)	1				
-	216913	**TACH DRIVE ASSEMBLY (LH)	1				
	212607	TACH SHAFT	1				
	212609	BUSHING	1				
	216911	TACH SHAFT GEAR (LH)	1				

**\*NOTE:Front Cover and Main  
Shaft Seal Bulletin, refer to page  
74 and 75**

DIPACO, Inc.

105 East Parr Boulevard, Reno, Nevada 89512 USA

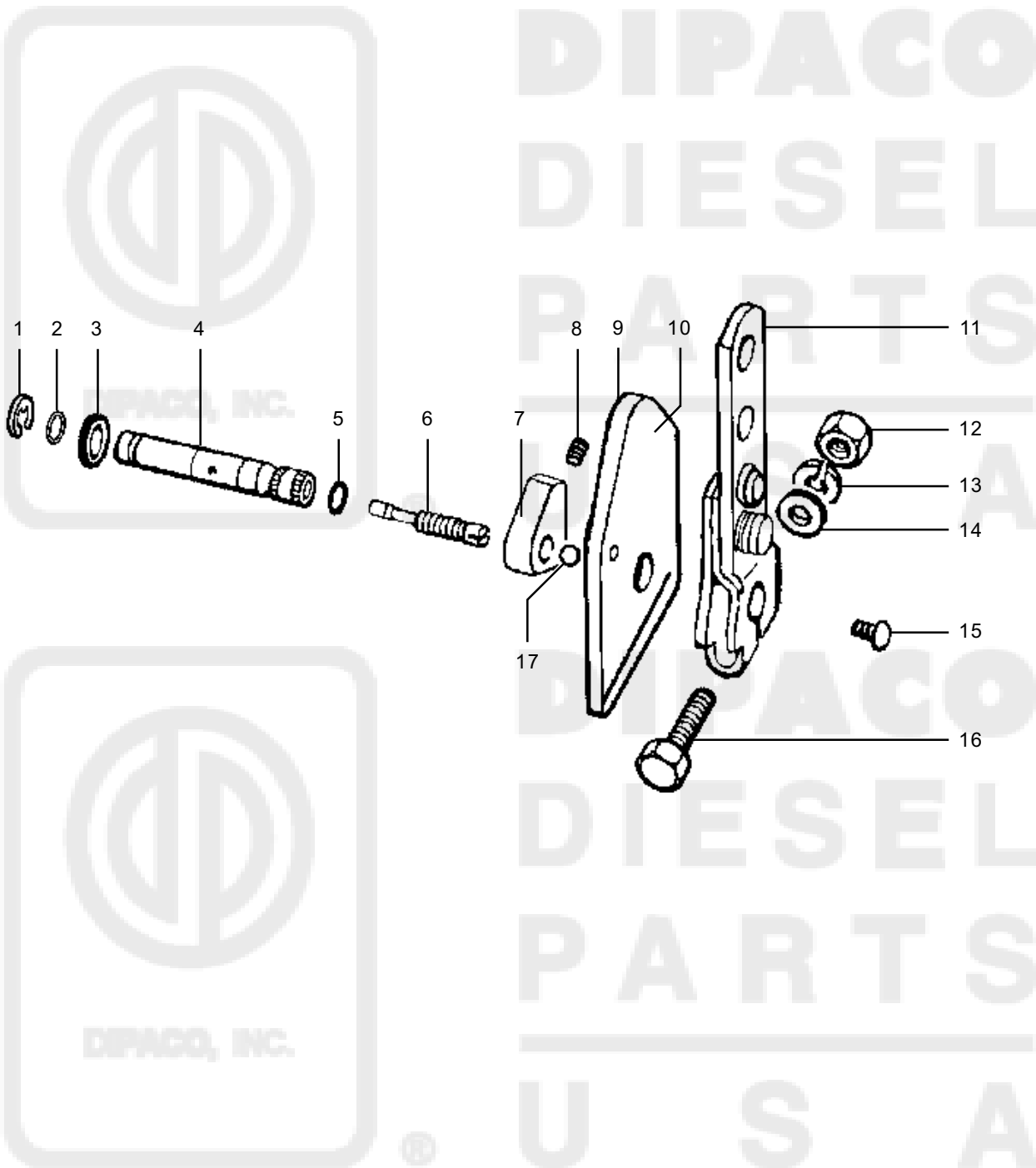
www.dipaco.com ■ sales@dipaco.com

Telephone: (775) 329-7511 ■ Fax: (775) 329-9740 ■ Toll Free: (800) 648-4720 ■ Toll Free Fax: (888) 320-7761



**DIPACO**  
**DIESEL**  
**PARTS**  
**U S A**

## AFC THROTTLE ASSEMBLY



DIPACO, Inc.

105 East Parr Boulevard, Reno, Nevada 89512 USA

www.dipaco.com ■ sales@dipaco.com

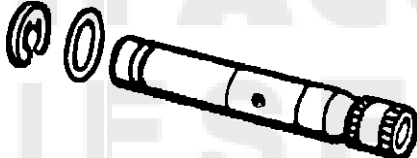
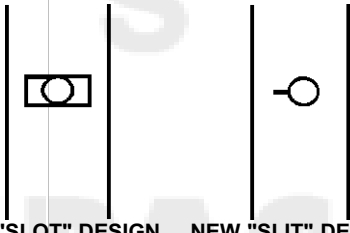
Telephone: (775) 329-7511 ■ Fax: (775) 329-9740 ■ Toll Free: (800) 648-4720 ■ Toll Free Fax: (888) 320-7761





**AFC THROTTLE ASSEMBLY**

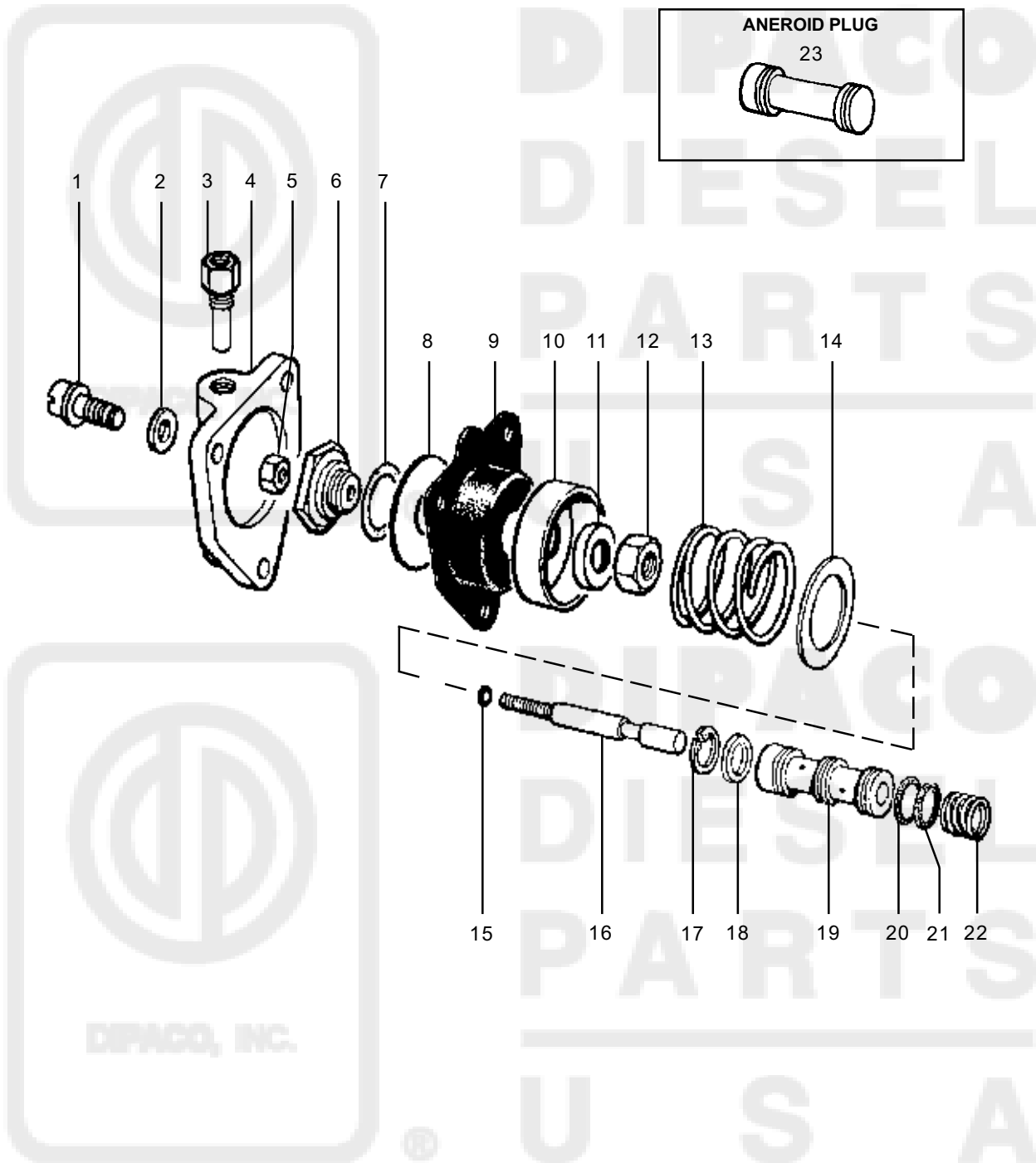
REF	PART	DESCRIPTION	QTY
1	163945	RETAINER	1
2	DPE46680	SHIM .005 (*See Note)	A/R
2	DPE46680A	SHIM .010 (*See Note)	A/R
3	100478	O RING	1
4	3046680	THROTTLE SHAFT (**See Note) [***Assembly-See Below] (Slit - New Style) SERIES 0-15	1
4	3006350	THROTTLE SHAFT (**See Note) [***Assembly-See Below] (Slot - Old Style) SERIES 0-15	1
4	3006360	THROTTLE SHAFT (**See Note) [***Assembly-See Below] (High Output) SERIES 0-7	1
5	213768	O RING	1
6	3076040	ADJUSTING SCREW (Nylok Insert)	1
7	3006343	STOP	1
8	3006344	SET SCREW	1
9	3000446	THROTTLE SHAFT COVER	1
10	DPE30200	DECAL	1
11	3048296	THROTTLE LEVER (Short)	1
11	3048294	THROTTLE LEVER (Long)	1
12	S251	NUT, JAM	1
13	S600	LOCK WASHER	1
14	70704	WASHER	1
15	S2286	DRIVE SCREW	2
16	S195B	CAPSCREW	1
17	213769	CHECK BALL (Steel)	1
17	213769N	CHECK BALL (Nylon)	1
4	3006430	***THROTTLE ASSY (Slit) Series 0 - 15	1
	3046680	THROTTLE SHAFT	1
	213769	CHECK BALL (Steel)	1
	3076040	ADJUSTING SCREW (Nylok Insert)	1
	213768	O RING	1
	100478	O RING	1
4	DPE6350	***THROTTLE ASSY (Slot) Series 0 - 15	1
	3006350	THROTTLE SHAFT	1
	213769	CHECK BALL (Steel)	1
	3076040	ADJUSTING SCREW (Nylok Insert)	1
	213768	O RING	1
	100478	O RING	1
4	3006400	***THROTTLE ASSY (High Output) Series 0 - 7	1
	3006360	THROTTLE SHAFT	1
	213769	CHECK BALL (Steel)	1
	3076040	ADJUSTING SCREW (Nylok Insert)	1
	213768	O RING	1
	100478	O RING	1

REF	PART	DESCRIPTION	QTY
<p><b>*Note:Throttle Shaft Shims-</b>Over time the throttle shaft retainer will wear against the pump housing. This wear increases the amount of lateral travel the shaft can have. This increased travel coupled with the small slit on the throttle shaft can cause poor throttle response.</p>  <p>To correct for the housing wear we are introducing two shims for use on the throttle shaft. The part numbers are DPE46680 for a .005" shim and DPE46680A for a .010" shim. If needed, one or more of these shims should be placed on the throttle shaft inside of the retainer. These shims will compensate for housing wear and allow for correct throttle action.</p> <p><b>**Note:Throttle Shaft Identification-</b>In the past throttle leakage adjustment has been very sensitive to flow setting and adjusting screw position or wear. In order to reduce sensitivity and thereby increase stability the shape of the throttle shaft port was changed.</p>  <p><b>OLD "SLOT" DESIGN      NEW "SLIT" DESIGN</b></p> <p>The simplest way to identify the change is to differentiate between the "slit" and "slot" designs. The "slot" is the previous design where the port was set into a channel. The new "slit" design has a fine groove coming from the shaft port. The "slit" design throttle shaft now requires about three times as much movement of the shaft as the "slot" design required to achieve the same flow.</p> <p>DIPACO carries both the old design and new designs of the 0.173" port size throttle shafts. The old throttle shaft was the D3006350 series. The new throttle shafts are the D3046680 series.</p> <p>High Output shafts with the 0.250" port size have also been updated to the new "slit" design. Currently, we only have available the older "slot" design series, D3006360, in eight sizes. The new series, D3046690, will be available at a later date.</p>			



**DIPACO**  
**DIESEL**  
**PARTS**  
**U S A**

### AFC VALVE ASSEMBLY



DIPACO, Inc.

105 East Parr Boulevard, Reno, Nevada 89512 USA

www.dipaco.com ■ sales@dipaco.com

Telephone: (775) 329-7511 ■ Fax: (775) 329-9740 ■ Toll Free: (800) 648-4720 ■ Toll Free Fax: (888) 320-7761



**AFC VALVE ASSEMBLY**

REF	PART	DESCRIPTION	QTY
1	70772B	CAPSCREW	3
2	S631	WASHER	3
3	3015522	CHECK VALVE	1
-	S1098	SEAL SLEEVE (Not Shown)	1
4	3015520	COVER	1
5	S251	JAM NUT	1
6	3023171	CENTER BOLT (*See Note)	1
7	3023870	WASHER (*See Note)	1
-	3044942	CENTER BOLT O RING, (*See Note)	1
		NEW STYLE (Not Shown)	
8	214150	RETAINER	1
9	3013811	DIAPHRAGM (Rubber)	1
9	3013811S	DIAPHRAGM (Silicone)	1
10	3013810	PISTON	1
11	3023088	PISTON RETAINER	1
12	S213A	NUT, JAM	1
13	179804	SPRING (White)	1
13	179806	SPRING (Orange)	1
13	179808	SPRING (Purple)	1
13	179816	SPRING (Blue/White)	1
13	179818	SPRING (Blue/Orange)	1
13	179820	SPRING (Blue/Purple)	1
13	179822	SPRING (White/Green)	1
13	179824	SPRING (White/Red)	1
13	179826	SPRING (White/Yellow)	1
13	179828	SPRING (Green/Red)	1
13	179830	SPRING (Green/Yellow)	1
13	179832	SPRING (Orange/Purple)	1
13	179834	SPRING (Red/Purple)	1
13	179836	SPRING (Purple/Yellow)	1
13	3000592	SPRING (Light Green)	1
13	3007692	SPRING (Light Blue/Green)	1
13	3007694	SPRING (Light Blue/Red)	1
13	3007696	SPRING (Light Blue/Yellow)	1
13	3007698	SPRING (Green/White)	1
14	3001707	SHIM	1
15	68061A	O RING	1
16	3021676-0	ANEROID PLUNGER (.3738)	1
16	3021676-1	ANEROID PLUNGER (.3740)	1
16	3021676-2	ANEROID PLUNGER (.3742)	1
16	3021676-3	ANEROID PLUNGER (.3744)	1
16	3021676-4	ANEROID PLUNGER (.3746)	1
16	3021676-5	ANEROID PLUNGER (.3748)	1
16	3021676-6	ANEROID PLUNGER (.3750)	1
16	3020739-0	VENTED ANEROID PLUNGER (.3738)	1
16	3020739-1	AFC VENTED ANEROID PLUNGER (.3740)	1
16	3020739-2	AFC VENTED ANEROID PLUNGER (.3742)	1
16	3020739-3	AFC VENTED ANEROID PLUNGER (.3744)	1
16	3020739-4	AFC VENTED ANEROID PLUNGER (.3746)	1
16	3020739-5	AFC VENTED ANEROID PLUNGER (.3748)	1

REF	PART	DESCRIPTION	QTY
16	3020739-6	AFC VENTED ANEROID PLUNGER (.3750)	1
17	S16240	SNAP RING	1
18	3042542	O RING (Brown Viton)	1
19	3021068	ANEROID BARREL	1
20	3045986	O RING (Brown Viton)	1
21	3066914	O RING (Brown Viton)	1
22	3018655	SPRING	1
23	3000438	ANEROID PLUG	1
-	3028347	ANEROID PLUG KIT	1
	3000438	PLUG	1
	3042542	O RING	1
	3045986	O RING	1

**\*Note: Cummins AFC Barrel and Plunger Sealing Changes-**  
Cummins has made a change to their AFC Barrel and Plunger assemblies. The center bolt, part number 3023171, now has an o-ring groove for sealing purposes. The new o-ring for this application is part number 3044942.

You may encounter either style bolt which is listed under the same part number 3023171. When you encounter the old style center bolt you must use the sealing gasket, part number 3023870. When you encounter the new style center bolt with the o-ring groove you can use either the old style gasket, or the new style o-ring for sealing purposes.

DIPACO includes both the sealing gasket, part number 3023870, and sealing o-ring part number 3044942, in our Overhaul Gasket Kits.

DIPACO, Inc.

105 East Parr Boulevard, Reno, Nevada 89512 USA

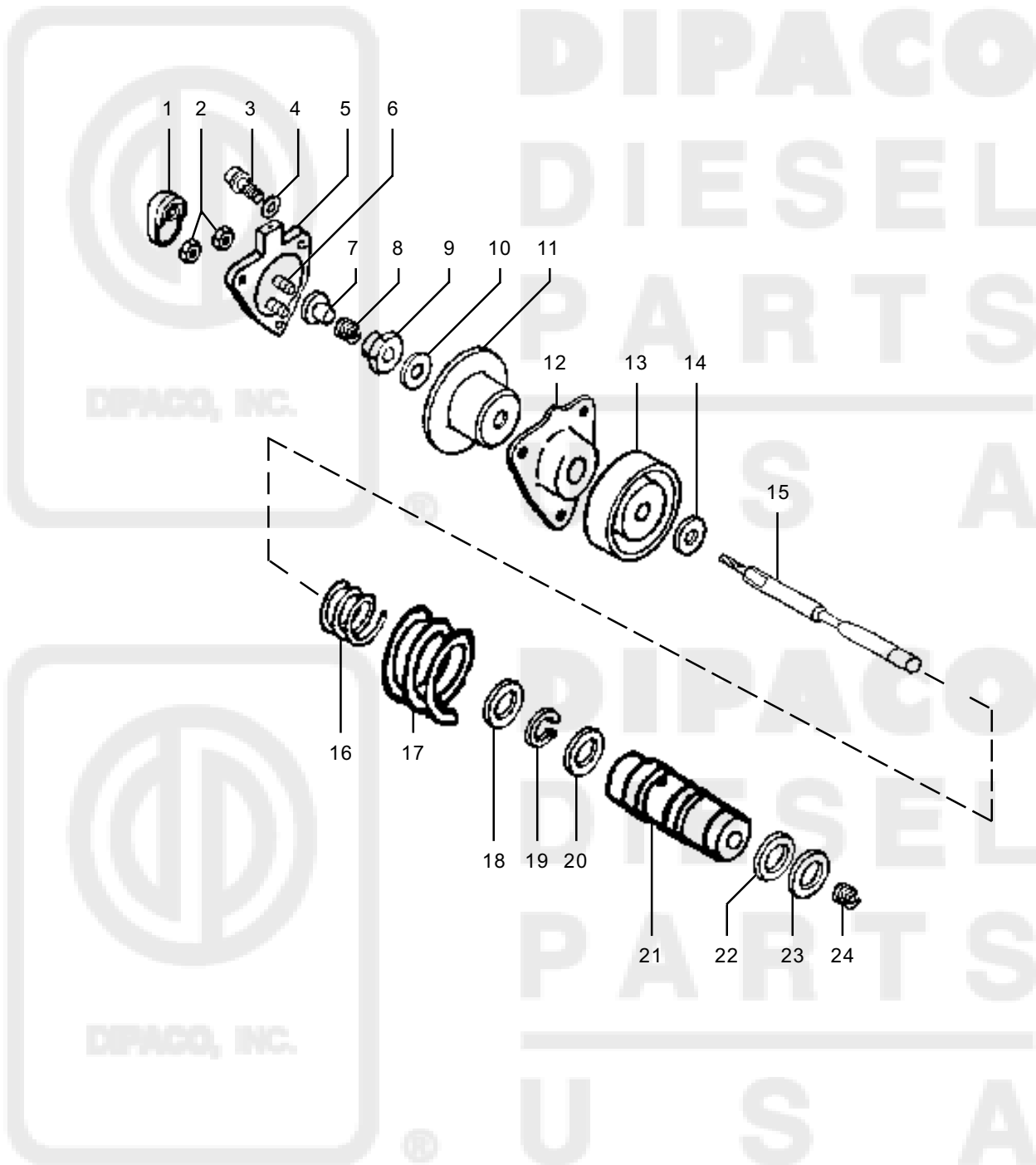
www.dipaco.com ■ sales@dipaco.com

Telephone: (775) 329-7511 ■ Fax: (775) 329-9740 ■ Toll Free: (800) 648-4720 ■ Toll Free Fax: (888) 320-7761



**DIPACO**  
**DIESEL**  
**PARTS**  
**U S A**

## AFC DUAL SPRING VALVE ASSEMBLY



DIPACO, Inc.

105 East Parr Boulevard, Reno, Nevada 89512 USA

www.dipaco.com ■ sales@dipaco.com

Telephone: (775) 329-7511 ■ Fax: (775) 329-9740 ■ Toll Free: (800) 648-4720 ■ Toll Free Fax: (888) 320-7761



### AFC DUAL SPRING VALVE ASSEMBLY

REF	PART	DESCRIPTION	QTY	REF	PART	DESCRIPTION	QTY
1	3058868	COVER, PROTECTIVE	1				
2	3029301	NUT, LOCKING	2				
3	70772B	CAPSCREW	3				
4	S631	WASHER	3				
5	3058867	COVER, FUEL CONTROL	1				
6	109917	CAPSCREW	2				
7	3049041	RETAINER, SPRING	1				
8	3067831	SPRING, COMPRESSION	1				
9	3051461	NUT, LOCKING	1				
10	3051463	WASHER	2				
11	3047276	PISTON, AFC	1				
12	3013811	DIAPHRAGM (Rubber)	1				
12	3013811S	DIAPHRAGM (Silicone)	1				
13	3047278	PISTON, AFC	1				
14	3051463	WASHER, PLAIN	2				
15	3067832	** PLUNGER, AFC	1				
16	3051069	BIAS SPRING (Yellow/Red)	1				
16	3051070	BIAS SPRING (Red/Green)	1				
16	3051071	BIAS SPRING (Green)	1				
16	3051072	BIAS SPRING (Purple)	1				
16	3051073	BIAS SPRING (Blue)	1				
16	3051074	BIAS SPRING (White)	1				
16	3051075	BIAS SPRING (Red)	1				
16	3051076	BIAS SPRING (Yellow)	1				
16	3054526	BIAS SPRING (Orange)	1				
17	PAGE 11	AFC SPRING	1				
18	3001707	SHIM, AFC	1				
19	S16240	RING, RETAINER	1				
20	3042542	O RING	2				
21	3067833	** BARREL, AFC	1				
22	3066914	O RING	1				
23	3045986	O RING	1				
24	3018655	SPRING, COMPRESSION	1				
**	3058944	PLUNGER AND BARREL ASSY (Sold as an Assembly Only)	1				

DIPACO, Inc.

105 East Parr Boulevard, Reno, Nevada 89512 USA

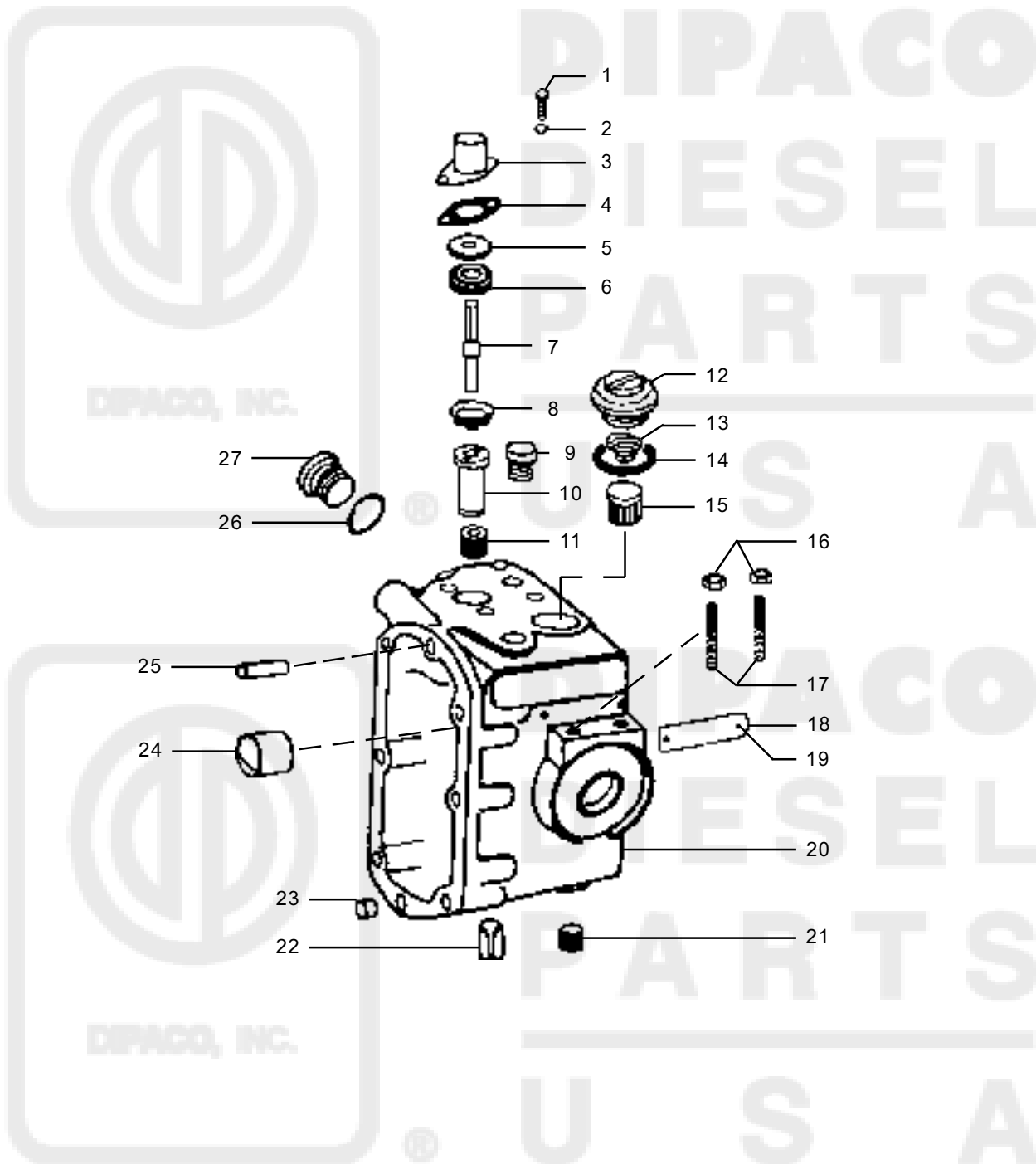
www.dipaco.com ■ sales@dipaco.com

Telephone: (775) 329-7511 ■ Fax: (775) 329-9740 ■ Toll Free: (800) 648-4720 ■ Toll Free Fax: (888) 320-7761



**DIPACO**  
**DIESEL**  
**PARTS**  
**U S A**

## PTG PUMP HOUSING



DIPACO, Inc.

105 East Parr Boulevard, Reno, Nevada 89512 USA

www.dipaco.com ■ sales@dipaco.com

Telephone: (775) 329-7511 ■ Fax: (775) 329-9740 ■ Toll Free: (800) 648-4720 ■ Toll Free Fax: (888) 320-7761



### PTG PUMP HOUSING

REF	PART	DESCRIPTION	QTY	REF	PART	DESCRIPTION	QTY
1	70772A	SCREW	2				
2	127018	WASHER	2				
3	155445	TACH SHAFT HOUSING	1				
4	70732	GASKET	1				
5	210218	FELT WASHER	1				
6	70809	SEAL	1				
7	104087	TACH SHAFT	1				
8	189638	SPACER	1				
9	112076	PLUG	1				
10	70723	BUSHING	1				
11	101981	GEAR, RH DRIVE	1				
11	70720	GEAR, LH DRIVE	1				
12	157088	CAP, FUEL PUMP FILTER	1				
13	70700	SPRING, FILTER	1				
14	154088	SQUARE CUT O RING	1				
15	146483	FILTER SCREEN WITH MAGNET	1				
15	137808	FILTER SCREEN W/O MAGNET	1				
15	149767	FILTER SCREEN WITH MAGNET	1				
15	149767N	FILTER SCREEN W/O MAGNET	1				
16	S251	NUT, LOCKING	2				
17	109915	ADJUSTING SCREW (Mech Gov)	2				
17	175578	ADJUSTING SCREW (MVS Gov)	2				
18	105375	NAMEPLATE	1				
19	S2286	DRIVE SCREW	2				
20	-	PUMP HOUSING	1				
21	200635	PLUG	1				
22	163733	ROLL PIN	1				
23	118227	DOWEL	2				
24	100193	BUSHING	1				
25	68549	DOWEL	1				
26	43696A	O RING	1				
27	139473	PLUG	1				

DIPACO, Inc.

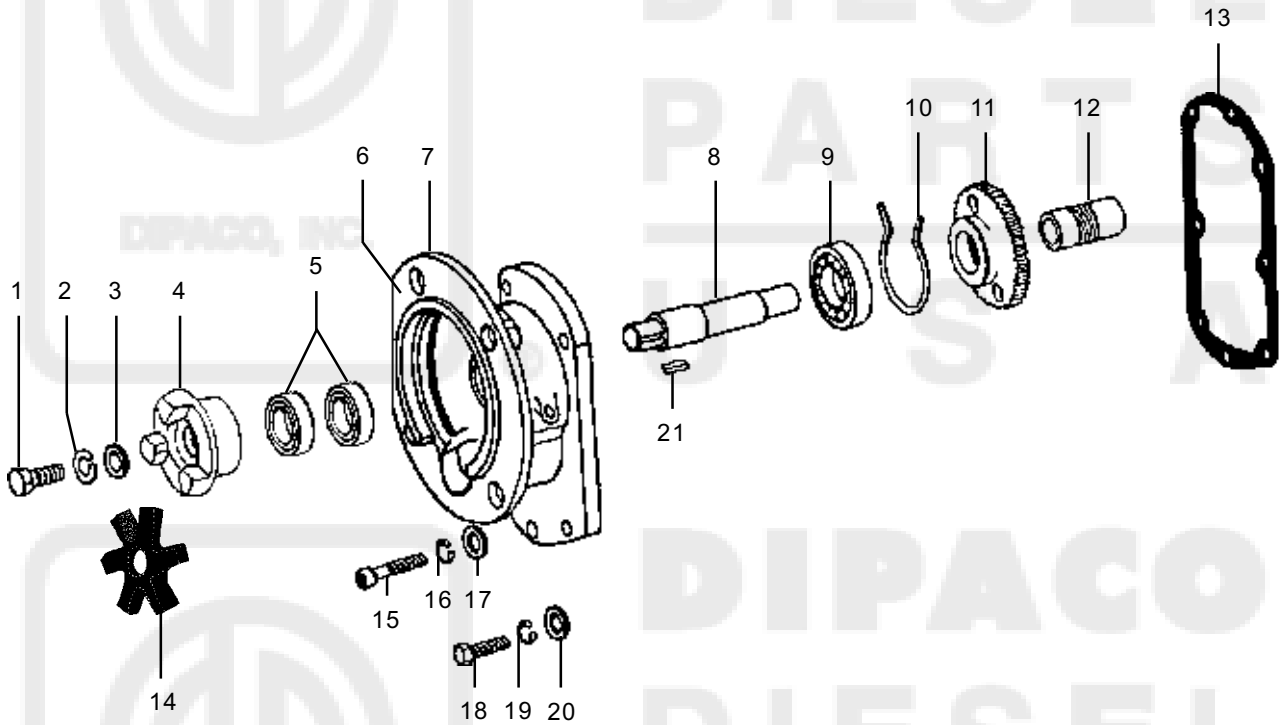
105 East Parr Boulevard, Reno, Nevada 89512 USA

www.dipaco.com ■ sales@dipaco.com

Telephone: (775) 329-7511 ■ Fax: (775) 329-9740 ■ Toll Free: (800) 648-4720 ■ Toll Free Fax: (888) 320-7761



### PTG FRONT COVER



DIPACO, Inc.

105 East Parr Boulevard, Reno, Nevada 89512 USA

www.dipaco.com ■ sales@dipaco.com

Telephone: (775) 329-7511 ■ Fax: (775) 329-9740 ■ Toll Free: (800) 648-4720 ■ Toll Free Fax: (888) 320-7761





**DIPACO**  
**DIESEL**  
**PARTS**  
**U S A**

### PTG FRONT COVER

REF	PART	DESCRIPTION	QTY	REF	PART	DESCRIPTION	QTY
1	69793	CAPSCREW	1				
2	S604	LOCK WASHER	1				
3	108330	WASHER	1				
4	101918	DRIVE COUPLING	1				
5	3062676	SEAL (Metal Case - Green Coat)	2				
5	3009625	SEAL (Metal Case)	2				
5	104038	SEAL (Metal Case - Double Lip)	2				
6	3069103	MOUNTING GASKET	1				
7	139668	FRONT COVER	1				
8	100192	MAIN DRIVE SHAFT	1				
9	S1650	MAIN SHAFT BEARING	1				
10	70699	RETAINER	1				
11	103036	DRIVE GEAR	1				
12	101983	TACH DRIVE GEAR (RH)	1				
12	100205	TACH DRIVE GEAR (LH)	1				
13	100764	GASKET W/O BLEED HOLE	1				
14	162426	SPIDER (Black)	1				
14	3046200	SPIDER (White) NYLON	1				
15	118226	CAPSCREW	2				
16	S606	LOCKWASHER	2				
17	103089	WASHER	2				
18	S105C	CAPSCREW	4				
19	S600	LOCKWASHER	4				
20	70704	WASHER	4				
21	68174	KEY	1				

DIPACO, Inc.

105 East Parr Boulevard, Reno, Nevada 89512 USA

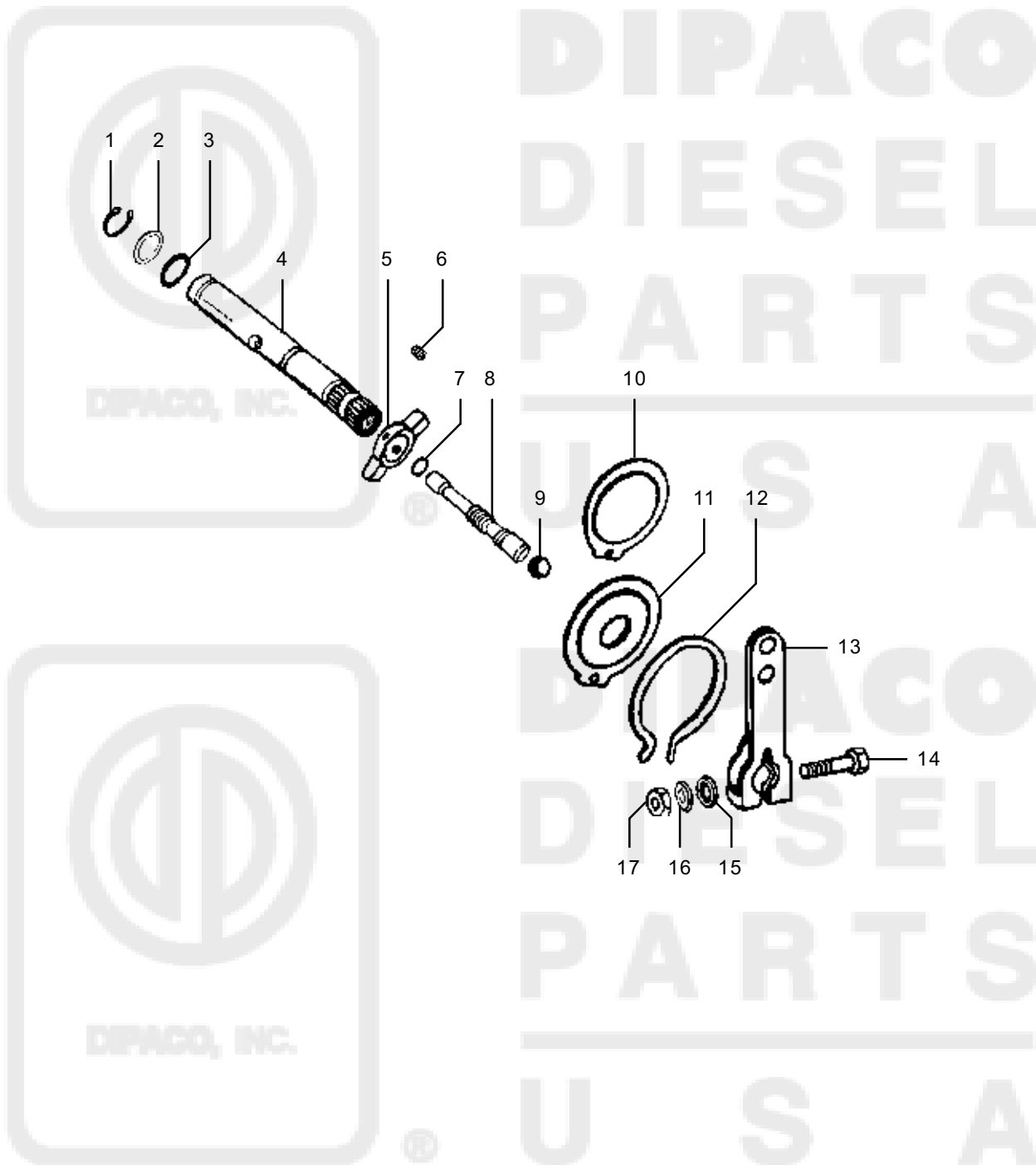
www.dipaco.com ■ sales@dipaco.com

Telephone: (775) 329-7511 ■ Fax: (775) 329-9740 ■ Toll Free: (800) 648-4720 ■ Toll Free Fax: (888) 320-7761



**DIPACO**  
**DIESEL**  
**PARTS**  
**U S A**

## PTG THROTTLE ASSEMBLY



DIPACO, Inc.

105 East Parr Boulevard, Reno, Nevada 89512 USA

www.dipaco.com ■ sales@dipaco.com

Telephone: (775) 329-7511 ■ Fax: (775) 329-9740 ■ Toll Free: (800) 648-4720 ■ Toll Free Fax: (888) 320-7761



**PTG THROTTLE ASSEMBLY**

REF	PART	DESCRIPTION	QTY	REF	PART	DESCRIPTION	QTY
1	163945	SNAP RING	1				
2	DPE46680	SHIM .005 (*See Note, Page 9)	A/R				
2	DPE46680A	SHIM .010 (*See Note, Page 9)	A/R				
3	100478	O RING	1				
4	3006350	THROTTLE SHAFT SERIES 0-15	1				
5	3006342	STOP	1				
6	3006344	SETSCREW	1				
7	213768	O RING	1				
8	3076040	SETSCREW	1				
9	213769	CHECK BALL (Steel)	1				
9	213769N	CHECK BALL (Nylon)	1				
10	148977	THROTTLE SHAFT COVER, STANDARD	1				
11	100765	THROTTLE SHAFT COVER, MVS GOVERNOR	1				
12	S16206	SNAP RING	1				
13	3048296	THROTTLE LEVER (Short)	1				
13	3048294	THROTTLE LEVER (Long)	1				
14	S195B	CAPSCREW	1				
15	70704	WASHER	1				
16	S600	WASHER	1				
17	S251	NUT	1				
-	AR12530-0	THROTTLE SHAFT KIT Series 0 - 15	1				
	3006350	THROTTLE SHAFT	1				
	100478	O RING	1				
	3006342	STOP	1				
	3006344	SET SCREW	1				
	213768	O RING	1				
	3076040	ADJUSTING SCREW (Nylok Insert)	1				
	213769	CHECK BALL (Steel)	1				

DIPACO, Inc.

105 East Parr Boulevard, Reno, Nevada 89512 USA

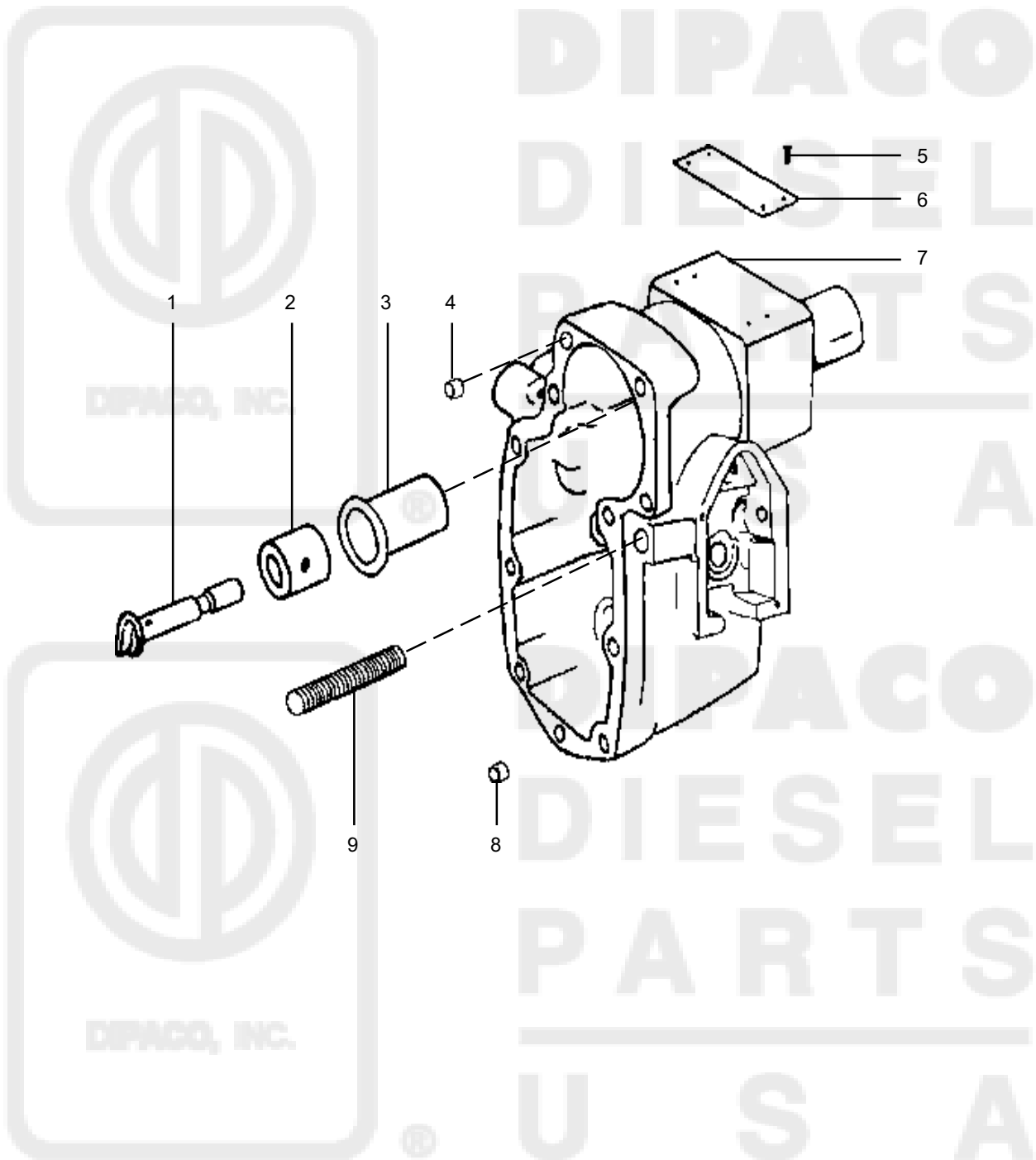
www.dipaco.com ■ sales@dipaco.com

Telephone: (775) 329-7511 ■ Fax: (775) 329-9740 ■ Toll Free: (800) 648-4720 ■ Toll Free Fax: (888) 320-7761



**DIPACO**  
**DIESEL**  
**PARTS**  
**U S A**

## TYPICAL VS PUMP HOUSING



DIPACO, Inc.

105 East Parr Boulevard, Reno, Nevada 89512 USA

www.dipaco.com ■ sales@dipaco.com

Telephone: (775) 329-7511 ■ Fax: (775) 329-9740 ■ Toll Free: (800) 648-4720 ■ Toll Free Fax: (888) 320-7761



### TYPICAL VS PUMP HOUSING

REF	PART	DESCRIPTION	QTY	REF	PART	DESCRIPTION	QTY
1	AR40240	GOVERNOR PLUNGER ASSY (Upper)	1				
-	70690	DRIVER (T Shape)	1				
-	3035230	THRUST WASHER	1				
-	213610	GOVERNOR PLUNGER	1				
2	3045212	BARREL	1				
3	108384	SLEEVE PACK	1				
4	118227	DOWEL RING	2				
5	S2286	DRIVE SCREW	4				
6	105375	NAMEPLATE	1				
7	*	PUMP HOUSING, AFC	1				
8	118227	DOWEL RING	2				
9	3046407	SETSCREW	1				

\*Due to the number of parts available for this housing assembly consult Cummins Parts Topic 94T5-10 or contact DIPACO customer service.

DIPACO, Inc.

105 East Parr Boulevard, Reno, Nevada 89512 USA

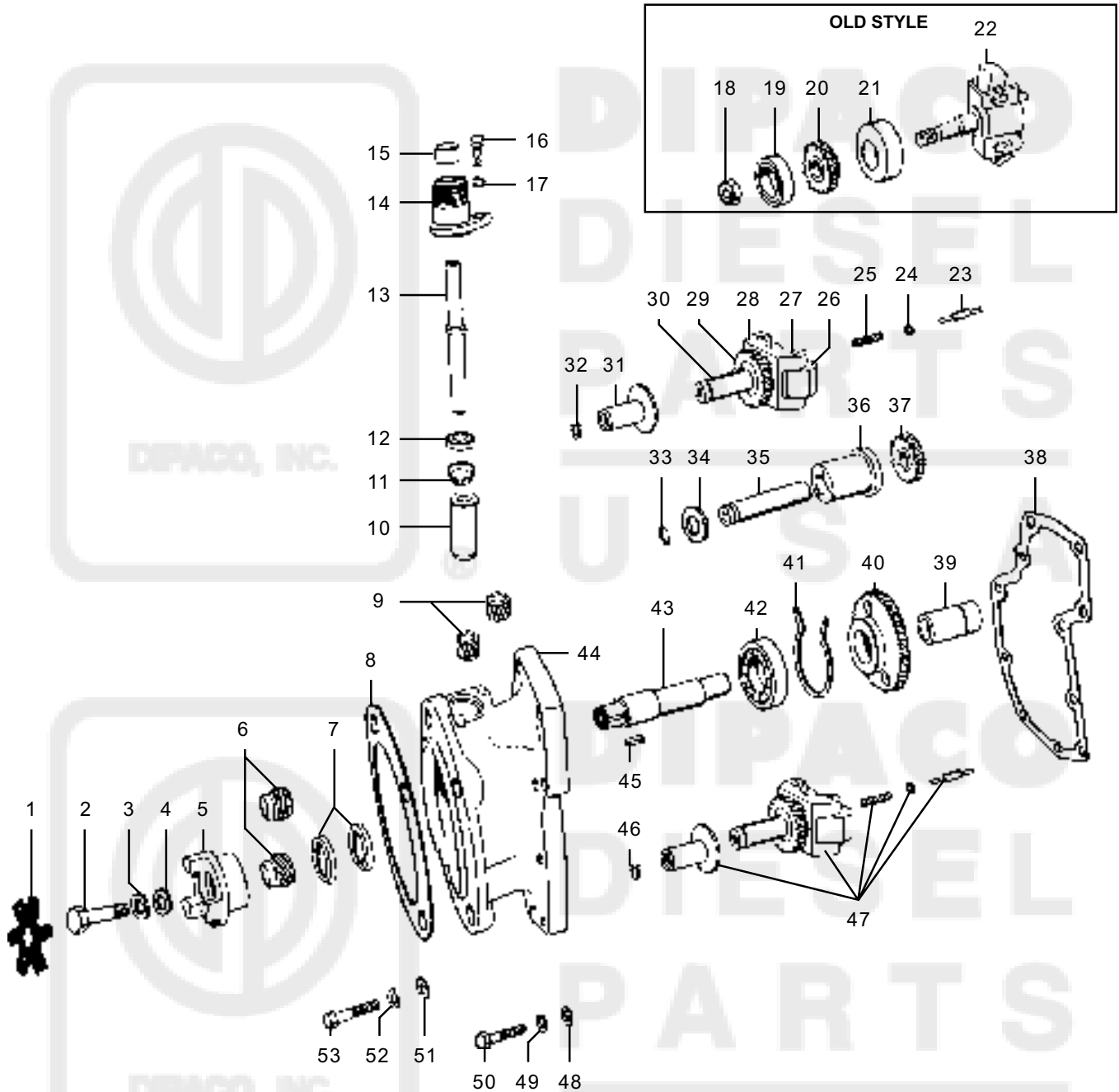
www.dipaco.com ■ sales@dipaco.com

Telephone: (775) 329-7511 ■ Fax: (775) 329-9740 ■ Toll Free: (800) 648-4720 ■ Toll Free Fax: (888) 320-7761



**DIPACO**  
**DIESEL**  
**PARTS**  
**U S A**

### TYPICAL VS FRONT COVER



DIPACO, Inc.

105 East Parr Boulevard, Reno, Nevada 89512 USA

www.dipaco.com ■ sales@dipaco.com

Telephone: (775) 329-7511 ■ Fax: (775) 329-9740 ■ Toll Free: (800) 648-4720 ■ Toll Free Fax: (888) 320-7761



**TYPICAL VS FRONT COVER**

REF	PART	DESCRIPTION	QTY	REF	PART	DESCRIPTION	QTY
1	162426	SPIDER (Black)	1	42	S16052	BEARING, MAIN SHAFT	1
1	3046200	SPIDER (White) NYLON	1	43	212601	SHAFT, MAIN	1
2	S110	CAPSCREW	1	44	3075525	COVER, FRONT (*See Note) (See Page 74 and 75)	1
3	S605	LOCK WASHER	1	45	212668	KEY	1
4	S626	WASHER	1	46	163945	RING, RETAINING	1
5	212613	COUPLING, DRIVE	1	47	3017996	WEIGHT ASSY	2
6	212602	GEAR, TACH DRIVE (RH)	1	47	3024991	WEIGHT ASSY	2
6	216906	GEAR, TACH DRIVE (LH)	1	47	3024988	WEIGHT ASSY	2
7	3062676	SEAL (Metal Case - Green Coated) (See Page 74 and 75)	2	48	70704	WASHER	8
7	3009625	SEAL (Metal Case) (See Page 74 and 75)	2	49	S600	LOCKWASHER	8
7	3019962	SEAL (Rubber Case) (See Page 74 and 75)	2	50	3017051	CAPSCREW	8
8	3069103	GASKET	1	51	103089	WASHER	1
9	212610	GEAR, TACH (RH)	1	52	S607	LOCKWASHER	1
9	216911	GEAR, TACH (LH)	-	53	118226	CAPSCREW	1
10	212609	BUSHING, TACH	1	-	3801095	GOVERNOR KIT	1
11	3004724	SPACER, TACH SEAL	1		3024215	BUSHING	1
12	212603	SEAL, TACH SHAFT	1		3027236	SHAFT	1
13	212607	SHAFT, TACH	1				
14	212606	HOUSING, TACH	1				
15	175831	PLUG	1				
16	S114	CAPSCREW	1				
17	S600	LOCKWASHER	1				
18	129069	NUT	1				
19	203630	BEARING (*See Note)	1				
20	113244	GEAR	1				
21	-	WEIGHT SHIELD	1				
22	-	WEIGHT CARRIER	1				
23	144178	PLUNGER, WEIGHT ASSIST	1				
24	144179	SHIM, WEIGHT ASSIST, .008	1				
25	143846	SPRING (Red)	1				
25	143847	SPRING (Blue)	1				
25	143848	SPRING (Pink)	1				
25	143849	SPRING (Yellow)	1				
25	143854	SPRING (Blue/Yellow)	1				
25	143855	SPRING (White/Yellow)	1				
25	650662	SPRING (Green)	1				
-	3024989	WEIGHT ASSY, UPPER	1				
26	163826	WEIGHT, CARRIER	2				
27	211635	PIN, WEIGHT CARRIER	2				
28	3006550	CARRIER	1				
29	211636	GEAR, CARRIER	1				
30	211633	SHAFT	1				
31	163944	BUSHING, CARRIER	1				
32	163945	RING, CARRIER RETAINING	1				
33	135169	RING, RETAINING	1				
34	201745	WASHER	1				
35	201008	SHAFT, IDLER	1				
36	201010	BUSHING, SHAFT	1				
37	113244	GEAR, CARRIER	1				
38	200998	GASKET, COVER TO HOUSING	1				
38	3063053	GASKET W/BLEED HOLE	1				
39	212639	COUPLING, GEAR PUMP	1				
40	212605	GEAR, PUMP DRIVE	1				
41	212604	RING, RETAINER	1				

**\*NOTE:**Old style VS front cover used bearing 203630. D3801095 kit can be used to replace the bearing with a bushing and shaft.

DIPACO, Inc.

105 East Parr Boulevard, Reno, Nevada 89512 USA

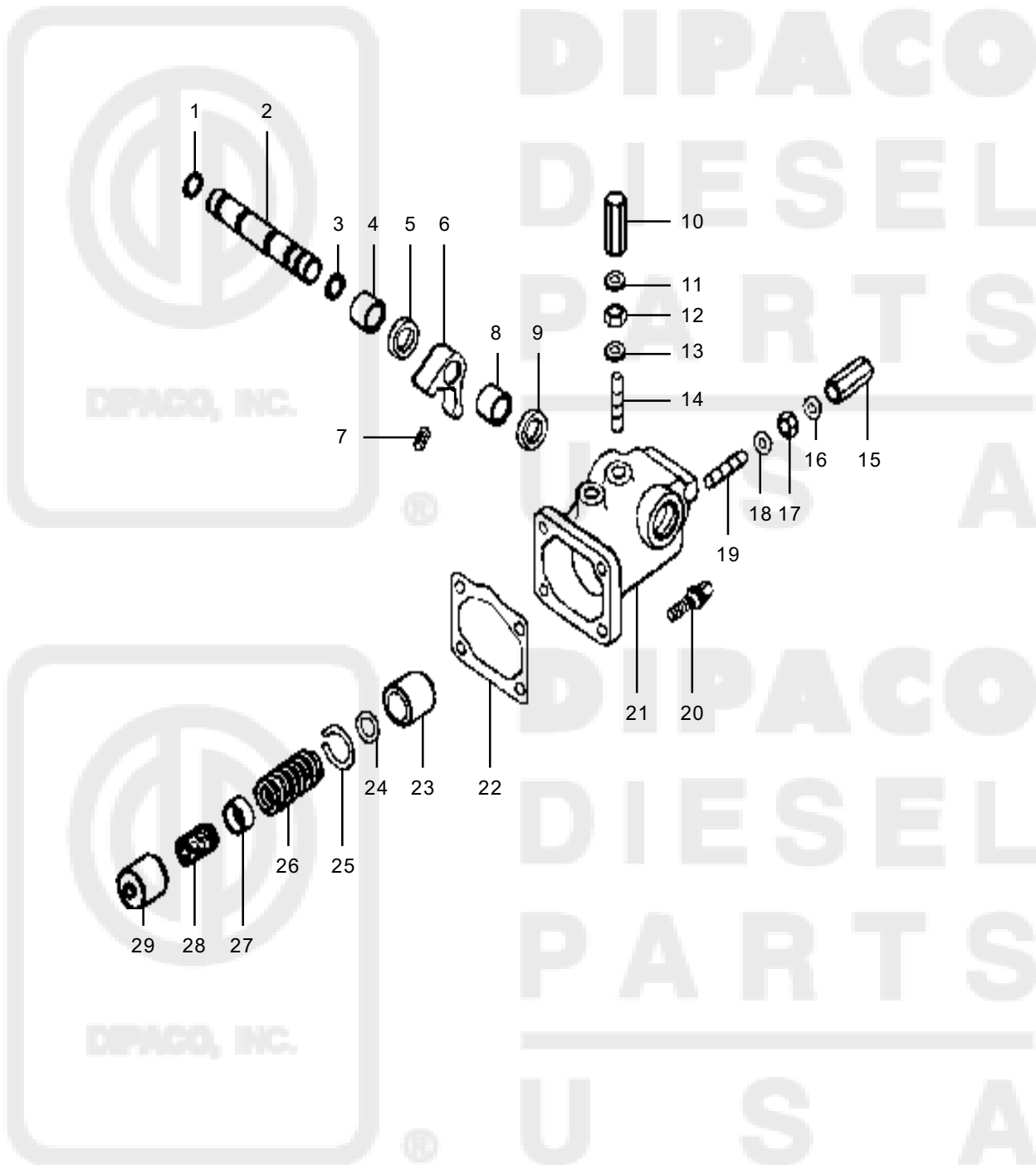
www.dipaco.com ■ sales@dipaco.com

Telephone: (775) 329-7511 ■ Fax: (775) 329-9740 ■ Toll Free: (800) 648-4720 ■ Toll Free Fax: (888) 320-7761



**DIPACO**  
**DIESEL**  
**PARTS**  
**U S A**

## TYPICAL VS UPPER SPRING PACK ASSEMBLY



DIPACO, Inc.

105 East Parr Boulevard, Reno, Nevada 89512 USA

www.dipaco.com ■ sales@dipaco.com

Telephone: (775) 329-7511 ■ Fax: (775) 329-9740 ■ Toll Free: (800) 648-4720 ■ Toll Free Fax: (888) 320-7761





**TYPICAL VS UPPER SPRING PACK ASSEMBLY**

REF	PART	DESCRIPTION	QTY	REF	PART	DESCRIPTION	QTY
1	70415	O RING	1				
2	3010942	THROTTLE SHAFT (Long)	1				
2	3010943	THROTTLE SHAFT (Short)	1				
3	70415	O RING	1				
4	3010941	STEEL BUSHING	1				
4	70812	BRASS BUSHING	1				
5	3010945	SEAL, DUST	1				
6	70834	STOP, THROTTLE	1				
7	70813	SCREW, SET	1				
8	3010941	STEEL BUSHING	1				
8	70812	BRASS BUSHING	1				
9	3010945	SEAL, DUST	1				
10	110058	NUT, FUEL PUMP ADJUSTING	1				
11	112408	WASHER	1				
12	S270	NUT	1				
13	112408	WASHER	1				
14	109917	SCREW	1				
15	110058	NUT, FUEL PUMP ADJUSTING	1				
16	112408	WASHER	1				
17	S270	NUT	1				
18	112408	WASHER	1				
19	109917	SCREW	1				
20	3017051	CAPSCREW	6				
21	3016021	HOUSING, GOVERNOR	1				
22	70705	GASKET	1				
23	70836	PLUNGER, THROTTLE LEVER	1				
24	70811	SHIM .020	A/R				
24	70811A	SHIM .010	A/R				
24	70811B	SHIM .005	A/R				
25	70823	RING, RETAINING	1				
26	109686	SPRING, GOVERNOR (Blue)	1				
26	109687	SPRING, GOVERNOR (Yellow)	1				
26	109688	SPRING, GOVERNOR (Green/White)	1				
26	109689	SPRING, GOVERNOR (Gray)	1				
26	109690	SPRING, GOVERNOR (Pink)	1				
27	70798	GUIDE, SPRING	1				
28	70778	SPRING, COMPRESSION	1				
29	70820	PLUNGER, GOVERNOR	1				

DIPACO, Inc.

105 East Parr Boulevard, Reno, Nevada 89512 USA

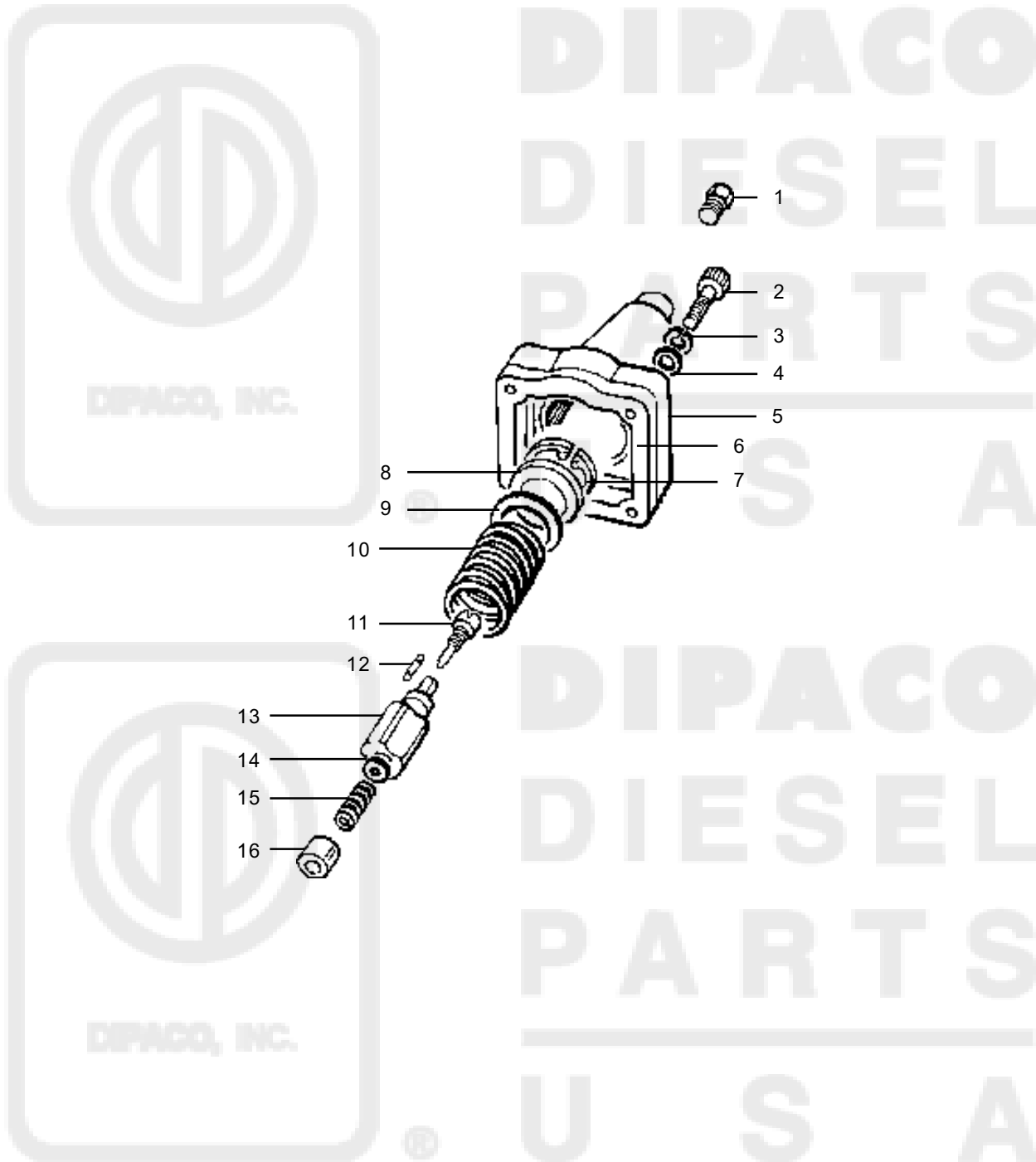
www.dipaco.com ■ sales@dipaco.com

Telephone: (775) 329-7511 ■ Fax: (775) 329-9740 ■ Toll Free: (800) 648-4720 ■ Toll Free Fax: (888) 320-7761



**DIPACO**  
**DIESEL**  
**PARTS**  
**U S A**

## STANDARD GOVERNOR SPRING PACK



DIPACO, Inc.

105 East Parr Boulevard, Reno, Nevada 89512 USA

[www.dipaco.com](http://www.dipaco.com) ■ [sales@dipaco.com](mailto:sales@dipaco.com)

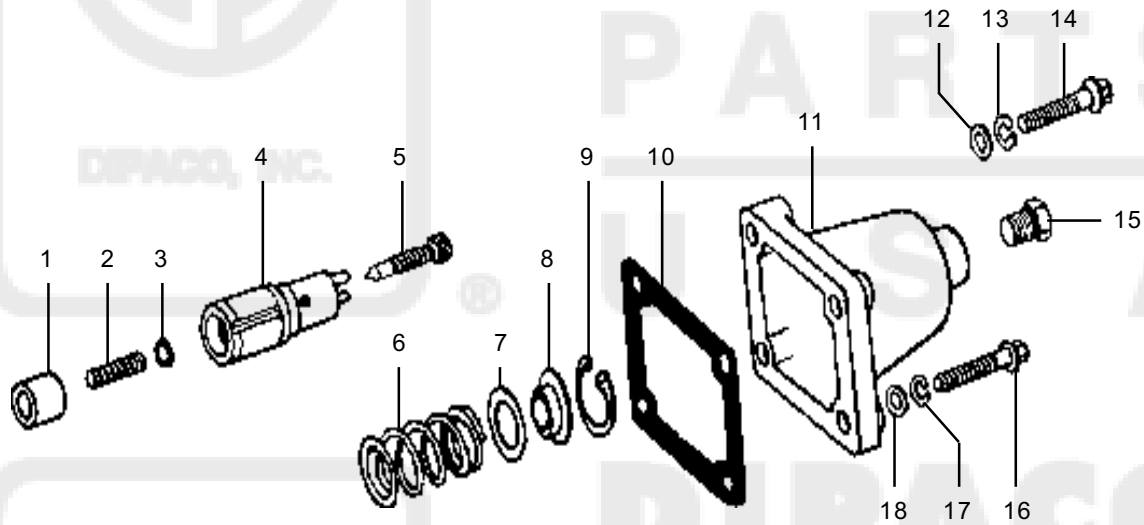
Telephone: (775) 329-7511 ■ Fax: (775) 329-9740 ■ Toll Free: (800) 648-4720 ■ Toll Free Fax: (888) 320-7761





**DIPACO**  
**DIESEL**  
**PARTS**  
**U S A**

## VS GOVERNOR SPRING PACK



DIPACO, Inc.

105 East Parr Boulevard, Reno, Nevada 89512 USA

www.dipaco.com ■ sales@dipaco.com

Telephone: (775) 329-7511 ■ Fax: (775) 329-9740 ■ Toll Free: (800) 648-4720 ■ Toll Free Fax: (888) 320-7761

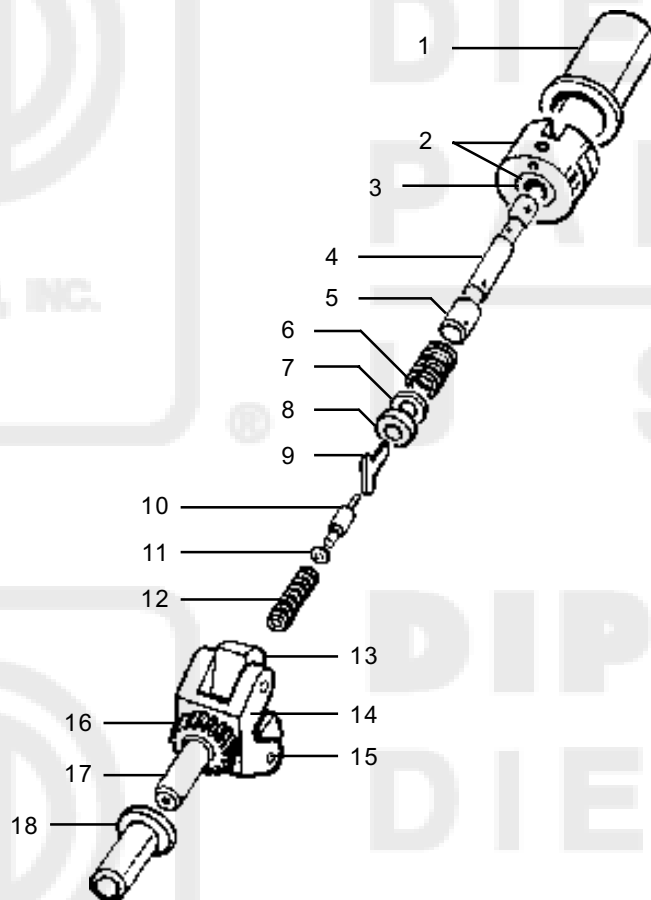




**DIPACO**  
**DIESEL**  
**PARTS**  
**U S A**

## GOVERNOR ASSEMBLY

---



---

DIPACO, Inc.

105 East Parr Boulevard, Reno, Nevada 89512 USA

[www.dipaco.com](http://www.dipaco.com) ■ [sales@dipaco.com](mailto:sales@dipaco.com)

Telephone: (775) 329-7511 ■ Fax: (775) 329-9740 ■ Toll Free: (800) 648-4720 ■ Toll Free Fax: (888) 320-7761



**GOVERNOR ASSEMBLY**

REF	PART	DESCRIPTION	QTY	REF	PART	DESCRIPTION	QTY
1	3036970	SPRING PACK HOUSING	1				
2	3001737	BARREL ASSY PTG STD, 16 HOLE	1				
2	3001738	BARREL ASSY PTG .010 OS, 16 HOLE	1				
2	3058555	BARREL ASSY AFC STD, 16 HOLE	1				
2	3058556	BARREL ASSY AFC .010 OS, 16 HOLE	1				
2	3045214	BARREL ASSY PTG STD, 14 HOLE	1				
2	3045446	BARREL ASSY PTG .010 OS, 14 HOLE	1				
2	3058561	BARREL ASSY AFC STD, 14 HOLE	1				
2	3058562	BARREL ASSY AFC .010 OS, 14 HOLE	1				
3	177150	SLEEVE, 16 HOLE	1				
3	3045206	SLEEVE, 14 HOLE	1				
4	PAGE 60	GOVERNOR PLUNGER	1				
5	144302	SPACER (WITH HOLES)	1				
5	3048557	SPACER (NO HOLES)	1				
6	PAGE 60	TORQUE CONTROL SPRING	1				
7	101841	SHIM .005	A/R				
7	101842	SHIM .010	A/R				
7	101843	SHIM .020	A/R				
8	3027633	WASHER, PLUNGER	1				
9	70690	DRIVER, T SHAPE	1				
9	70690C	DRIVER, CYLINDRICAL	1				
10	144178	WEIGHT ASSIST PLUNGER	1				
11	144179	SHIM	1				
12	143846	SPRING (Red)	1				
12	143847	SPRING (Blue)	1				
12	143848	SPRING (Pink)	1				
12	143849	SPRING (Yellow)	1				
12	143854	SPRING (Blue/Yellow)	1				
12	143855	SPRING (White/Yellow)	1				
12	650662	SPRING (Green)	1				
13	146437	WEIGHT	2				
13	163826	WEIGHT, VS UPPER	2				
13	650508	WEIGHT	2				
14	3017996	WEIGHT AND CARRIER ASSY	1				
14	3024989	WEIGHT AND CARRIER ASSY UPPER VS	1				
15	211635	CARRIER PIN	2				
16	211636	GEAR	1				
17	211633	CARRIER SHAFT	1				
18	163944	BUSHING	1				

DIPACO, Inc.

105 East Parr Boulevard, Reno, Nevada 89512 USA

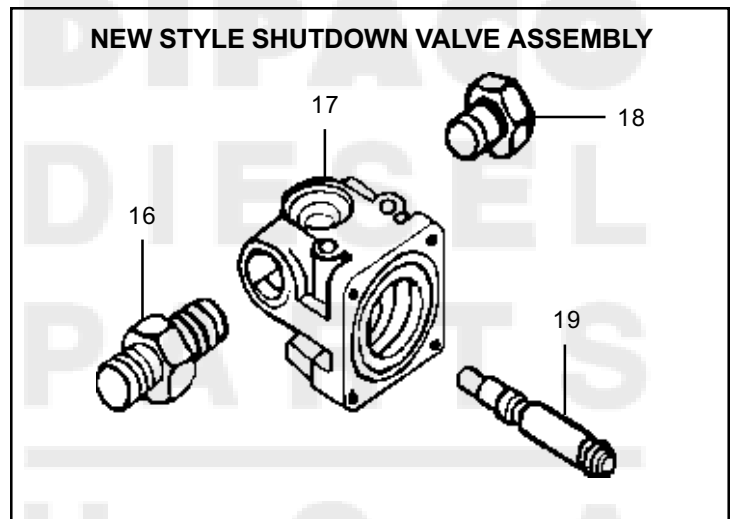
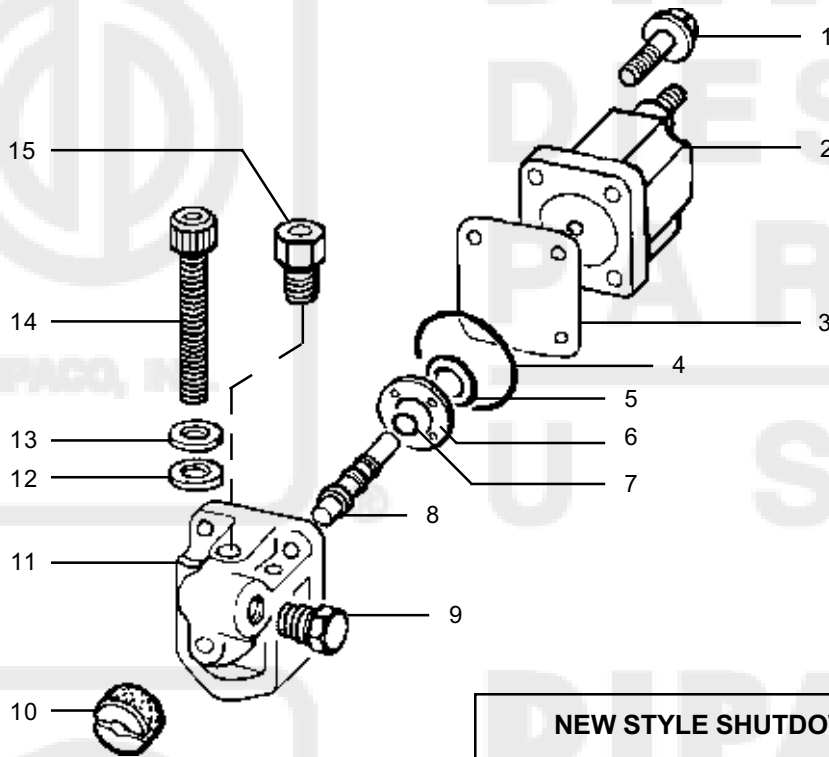
www.dipaco.com ■ sales@dipaco.com

Telephone: (775) 329-7511 ■ Fax: (775) 329-9740 ■ Toll Free: (800) 648-4720 ■ Toll Free Fax: (888) 320-7761



**DIPACO**  
**DIESEL**  
**PARTS**  
**U S A**

## SHUTDOWN VALVE ASSEMBLY



DIPACO, Inc.

105 East Parr Boulevard, Reno, Nevada 89512 USA

www.dipaco.com ■ sales@dipaco.com

Telephone: (775) 329-7511 ■ Fax: (775) 329-9740 ■ Toll Free: (800) 648-4720 ■ Toll Free Fax: (888) 320-7761





**SHUTDOWN VALVE ASSEMBLY**

REF	PART	DESCRIPTION	QTY	REF	PART	DESCRIPTION	QTY
1	187556	CAPSCREW	4				
2	3054611	COIL, 12 VOLT, 1 TERMINAL	1				
2	3054610	COIL, 24 VOLT, 1 TERMINAL	1				
2	134075	COIL, 12 VOLT, 2 TERMINAL	1				
2	134076	COIL, 24 VOLT, 2 TERMINAL	1				
3	129839	SHIELD	1				
4	129888	SQUARE CUT O RING	1				
5	129768	SPRING	1				
6	3030970	PLATE	1				
7	3002481	O RING, VITON	1				
8	3000266	SHAFT	1				
9	3025458	PIPE PLUG	1				
10	129838	KNOB	1				
11	129826	HOUSING	1				
12	67684	WASHER	2				
13	181466	LOCK WASHER	2				
14	S189C	CAPSCREW	2				
15	3018889	OUTLET FITTING	1				
-	DPE10010	SHUTDOWN VALVE REPAIR KIT	1				
	129838	SHIELD	1				
	129888	O RING	1				
	3030970	PLATE	1				
	154087	O RING	1				
	190876	O RING	1				
-	DPE890011	SHUT DOWN VALVE REPAIR	1				
	129826	HOUSING	1				
	129838	SHIELD	1				
	129888	O RING	1				
	3030970	PLATE	1				
	154087	O RING	1				
	190876	O RING	1				
		<b>VALVE ASSEMBLIES</b>					
-	3035342	12 VOLT, 1 TERMINAL	1				
-	3035344	24 VOLT, 1 TERMINAL	1				
-	3035345	12 VOLT, 2 TERMINAL	1				
-	3035346	24 VOLT, 2 TERMINAL	1				
-	BM69974	VALVE ASSY W/ MOUNTING PARTS	1				
		<b>NEW STYLE SHUT DOWN VALVE ASSEMBLY</b>					
16	3052623	COUPLING	1				
17	3062107	BODY	1				
18	3008466	PIPE PLUG	1				
19	3013036	SHAFT	1				
		All parts for the new style shut down valve assembly except the four listed above are common with the standard type shut down valve assembly.					

DIPACO, Inc.

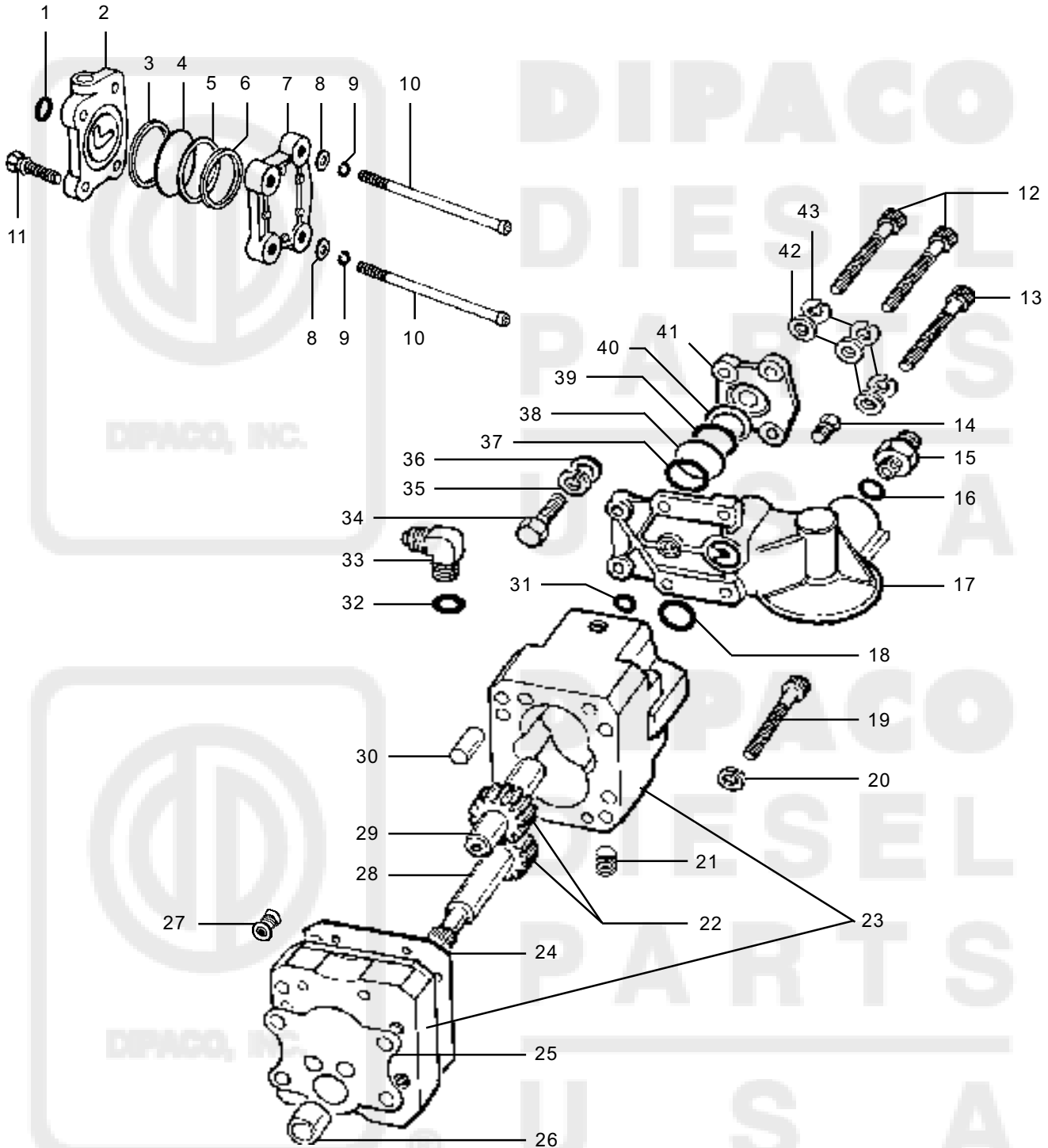
105 East Parr Boulevard, Reno, Nevada 89512 USA

www.dipaco.com ■ sales@dipaco.com

Telephone: (775) 329-7511 ■ Fax: (775) 329-9740 ■ Toll Free: (800) 648-4720 ■ Toll Free Fax: (888) 320-7761



### GEAR PUMP AND DAMPER ASSEMBLY



DIPACO, Inc.

105 East Parr Boulevard, Reno, Nevada 89512 USA

www.dipaco.com ■ sales@dipaco.com

Telephone: (775) 329-7511 ■ Fax: (775) 329-9740 ■ Toll Free: (800) 648-4720 ■ Toll Free Fax: (888) 320-7761



**GEAR PUMP AND DAMPER ASSEMBLY**

REF	PART	DESCRIPTION	QTY
1	151900	O RING, SQUARE CUT	1
2	153336	BODY, FUEL PUMP DAMPER	1
3	139988	SEAL, SQUARE CUT	1
4	202897	DIAPHRAGM, DAMPER	1
5	160514	WASHER	1
6	100099	O RING, SQUARE CUT	1
7	153338	COVER, FUEL PUMP DAMPER	1
8	70704	WASHER	2
9	181466	LOCK WASHER	2
10	S174C	CAPSCREW	2
11	3017051	CAPSCREW	2
12	S174C	CAPSCREW	2
13	133538	CAPSCREW	1
14	177999	PIPE PLUG	1
15	129866	INLET FITTING	1
15	203848	INLET FITTING-ELBOW	1
15	203849	INLET FITTING-ELBOW W/SIDE TAP	1
15	DPE10500	ELBOW, GEAR PUMP (*See Note)	1
15	DPE10501	ELBOW, GEAR PUMP (*See Note)	1
15	DPE10502	ADAPTER, GEAR PUMP (*See Note)	1
16	3040817	O RING, VITON	1
17	205451	HEAD W/FILTER BASE NO DAMPER	1
17	153336	HEAD W/O FILTER BASE	1
17	3026198	HEAD W/FILTER BASE AND DAMPER	1
18	213079	O RING	1
19	70790	CAPSCREW	4
20	S600	LOCKWASHER	8
21	3033742	PIPE PLUG	1
22	167166	GEAR 7/16"	2
22	119363	GEAR 3/4"	2
22	170942	GEAR 1"	2
22	119364	GEAR 1-1/14"	2
23	3034017	BODY AND COVER 7/16"	1
23	3024523	BODY AND COVER 3/4"	1
23	3033736	BODY AND COVER 1"	1
23	3033739	BODY AND COVER 1-1/4"	1
24	110855	GASKET, RED .0020"/.0022"	1
24	121193	GASKET, PURPLE .0015"/.0017"	1
25	3069017	GASKET	1
26	3033719	DOWEL RING 7/32"	1
26	101468	DOWEL RING 5/16"	1
27	3050624	PRESSURIZING VALVE	1
28	167169	DRIVE SHAFT 7/16"	1
28	100215	DRIVE SHAFT 3/4"	1
28	100216	DRIVE SHAFT 1"	1
28	100217	DRIVE SHAFT 1-1/4"	1
29	175866	IDLER SHAFT 7/16"	1
29	175864	IDLER SHAFT 3/4"	1
29	100133	IDLER SHAFT 1"	1
29	175865	IDLER SHAFT 1-1/4"	1
30	64816A	DOWEL	2
31	151900	O RING, SQUARE CUT	1

REF	PART	DESCRIPTION	QTY
32	3034412	O RING	1
33	3027507	CHECK VALVE, PIPE THREAD	1
33	3033740	CHECK VALVE, STRAIGHT THREAD	1
34	S105C	CAPSCREW	1
35	S600	LOCKWASHER	4
36	70704	WASHER	8
37	100099	O RING, SQUARE CUT	1
38	202897	DIAPHRAGM	1
39	139988	O RING, SQUARE CUT	1
40	160514	NYLON WASHER	1
41	153338	DAMPER PLATE	1
42	70704	WASHER	3
43	S600	LOCK WASHER	3
<b>GEAR PUMP ASSEMBLIES</b>			
-	3034215	7/16" RH PRESSURIZED	1
-	3034216	7/16" LH PRESSURIZED	1
-	3034231	7/16" RH NON-PRESSURIZED	1
-	3034232	7/16" LH NON-PRESSURIZED	1
-	3034217	3/4" RH PRESSURIZED	1
-	3034218	3/4" LH PRESSURIZED	1
-	3034233	3/4" RH NON-PRESSURIZED	1
-	3034234	3/4" LH NON-PRESSURIZED	1
-	3034219	1" RH PRESSURIZED	1
-	3034220	1" LH PRESSURIZED	1
-	3034235	1" RH NON-PRESSURIZED	1
-	3034236	1" LH NON-PRESSURIZED	1
-	3034221	1-1/4" RH PRESSURIZED	1
-	3034222	1-1/4" LH PRESSURIZED	1
-	3034237	1-1/4" RH NON-PRESSURIZED	1

\*Note:DIPACO has developed DPE10500 gear pump elbow. This design has a removable straight thread adapter for newer style pumps with the straight thread inlet port. For older style pumps with pipe threads, remove the adapter and you have a pipe threaded end. Also, we have the two components of the DPE10500 elbow, which can be purchased seperately. DPE10501 is a longer version of the standard inlet elbow with pipe threads. This elbow can also be used in place of the Komatsu/Cummins elbow D6610-71-2571. DPE10502 is an adapter which screws onto the DPE10501 elbow and changes the pipe threads into straight threads for the newer style pumps.

DIPACO, Inc.

105 East Parr Boulevard, Reno, Nevada 89512 USA

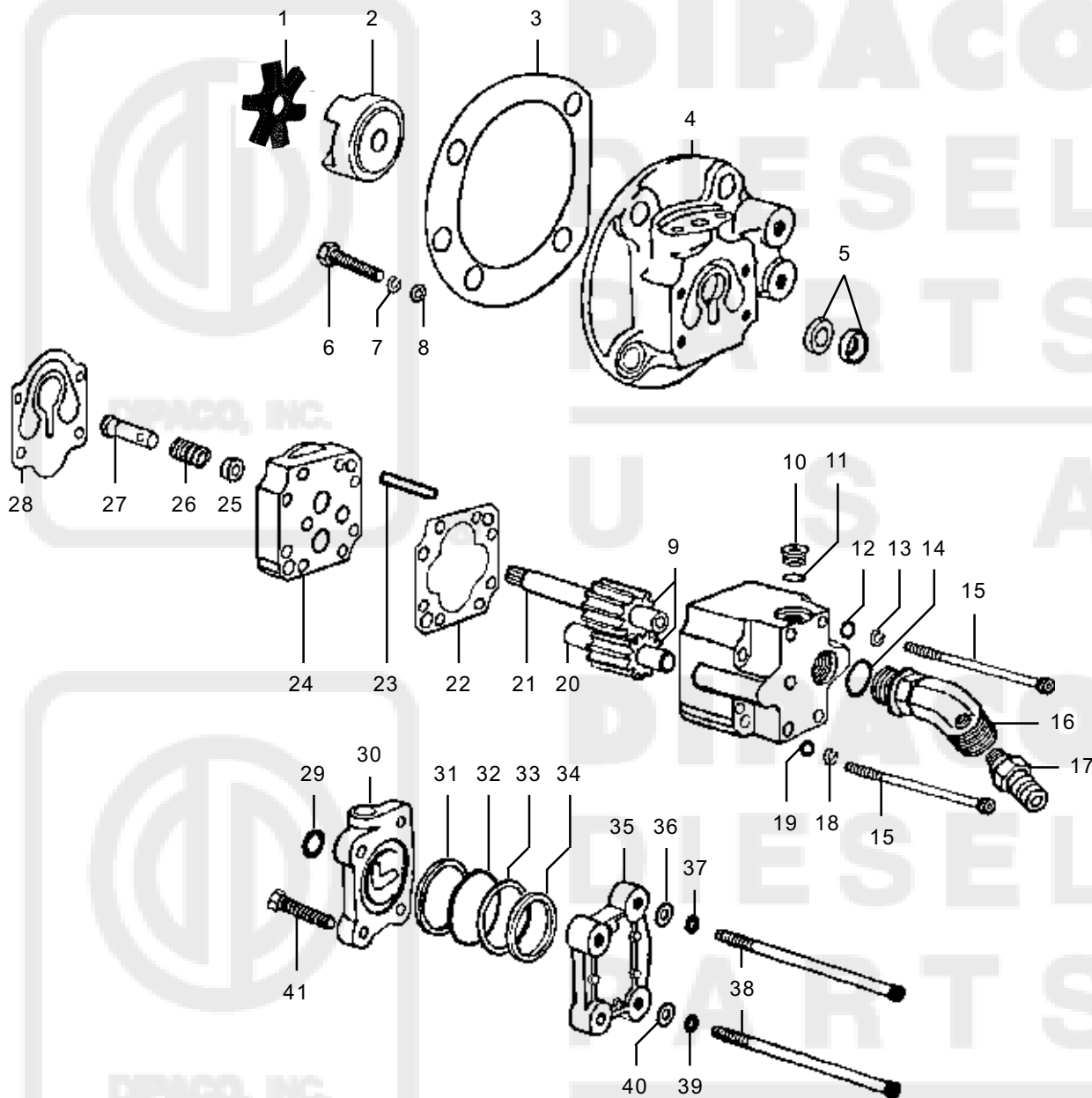
www.dipaco.com ■ sales@dipaco.com

Telephone: (775) 329-7511 ■ Fax: (775) 329-9740 ■ Toll Free: (800) 648-4720 ■ Toll Free Fax: (888) 320-7761



**DIPACO**  
**DIESEL**  
**PARTS**  
**U S A**

**CELECT™ FUEL SYSTEM**



DIPACO, Inc.

105 East Parr Boulevard, Reno, Nevada 89512 USA

www.dipaco.com ■ sales@dipaco.com

Telephone: (775) 329-7511 ■ Fax: (775) 329-9740 ■ Toll Free: (800) 648-4720 ■ Toll Free Fax: (888) 320-7761



**CELECT™ FUEL SYSTEM**

REF	PART	DESCRIPTION	QTY
1	3046200	SPIDER	1
2	3041572	HUB	1
3	3069103	GASKET, FUEL PUMP	1
4	3068760	SUPPORT, FUEL PUMP	1
5	3084713	RED SEAL	2
4	3070149	SUPPORT, FUEL PUMP	1
5	3084713	RED SEAL	1
5	3071643	BLUE SEAL	1
4	3074318	SUPPORT	1
5	3071643	BLUE SEAL	1
5	3074316	SEAL SPACER	1
5	3084713	RED SEAL	1
5	3074317	SEAL SPACER	1
5	128807	RETAINER	1
6	206326	CAPSCREW, TWELVE POINT	4
7	135783	LOCK WASHER	4
8	69324	WASHER	4
9	119364	GEAR, FUEL PUMPING	2
10	3033742	PLUG, THREADED	1
11	3034412	O RING	1
12	70704	WASHER	8
13	181466	LOCKWASHER	8
14	3046201	O RING	1
15	100129	CAPSCREW	6
16	203849	ELBOW, SIDE TAP	1
17	3042618	NIPPLE, COUPLING	1
18	181466	LOCKWASHER	8
19	70704	WASHER	8
20	175865	SHAFT	1
21	3068889	DRIVE SHAFT (OLD STYLE)	1
21	3095356	DRIVE SHAFT (SPLINED)	1
22	3045442	GASKET, FUEL PUMP	1
23	3029857	PIN, ROLL	2
24	3041623	COVER, FUEL PUMP GEAR	1
25	3033719	DOWEL, RING	1
26	3063782	SPRING, COMPRESSION	1
27	3068764	PLUNGER	1
		PRESSURE REGULATING	
28	3069017	GASKET, FUEL PUMP	1
29	151900	O RING, SQUARE CUT	1
30	153336	BODY	1
31	139988	O RING, SQUARE CUT	1
32	202897	DIAPHRAGM, FUEL DAMPER	1
33	160514	WASHER	1
34	100099	O RING, SQUARE CUT	1
35	153338	COVER	1
36	70704	WASHER	8
37	181466	LOCKWASHER	8
38	193838	CAPSCREW	2
39	181466	LOCKWASHER	8
40	70704	WASHER	8
41	3017051	CAPSCREW	2

REF	PART	DESCRIPTION	QTY
9	69324	<b>MOUNTING PARTS</b> WASHER	4
8	135783	LOCKWASHER	4
7	206326	CAPSCREW, TWELVE POINT	4
2	3041572	HUB	1
1	3046200	SPIDER	1
3	3048341	GASKET, FUEL PUMP	1
15	3046201	O RING	1
17	203849	ELBOW, SIDE TAP	1
18	3042618	NIPPLE, COUPLING	1
		<b>FUEL PUMP SUPPORT</b>	
		<b>SEAL KITS</b>	
-	3803476 3084713	SEAL KIT(Fits 3068760 Support) RED SEAL	2
-	3803477	SEAL KIT(Fits 3070149 Support and 3074318 Support)	
	3084713	RED SEAL	1
	3071643	BLUE SEAL	1
		<b>FUEL PUMP REPAIR KIT</b>	
-	3803478	CELECT SERVICE REPAIR KIT (Fits 3074318 and 3070149 Support) See Page 65	1

DIPACO, Inc.

105 East Parr Boulevard, Reno, Nevada 89512 USA

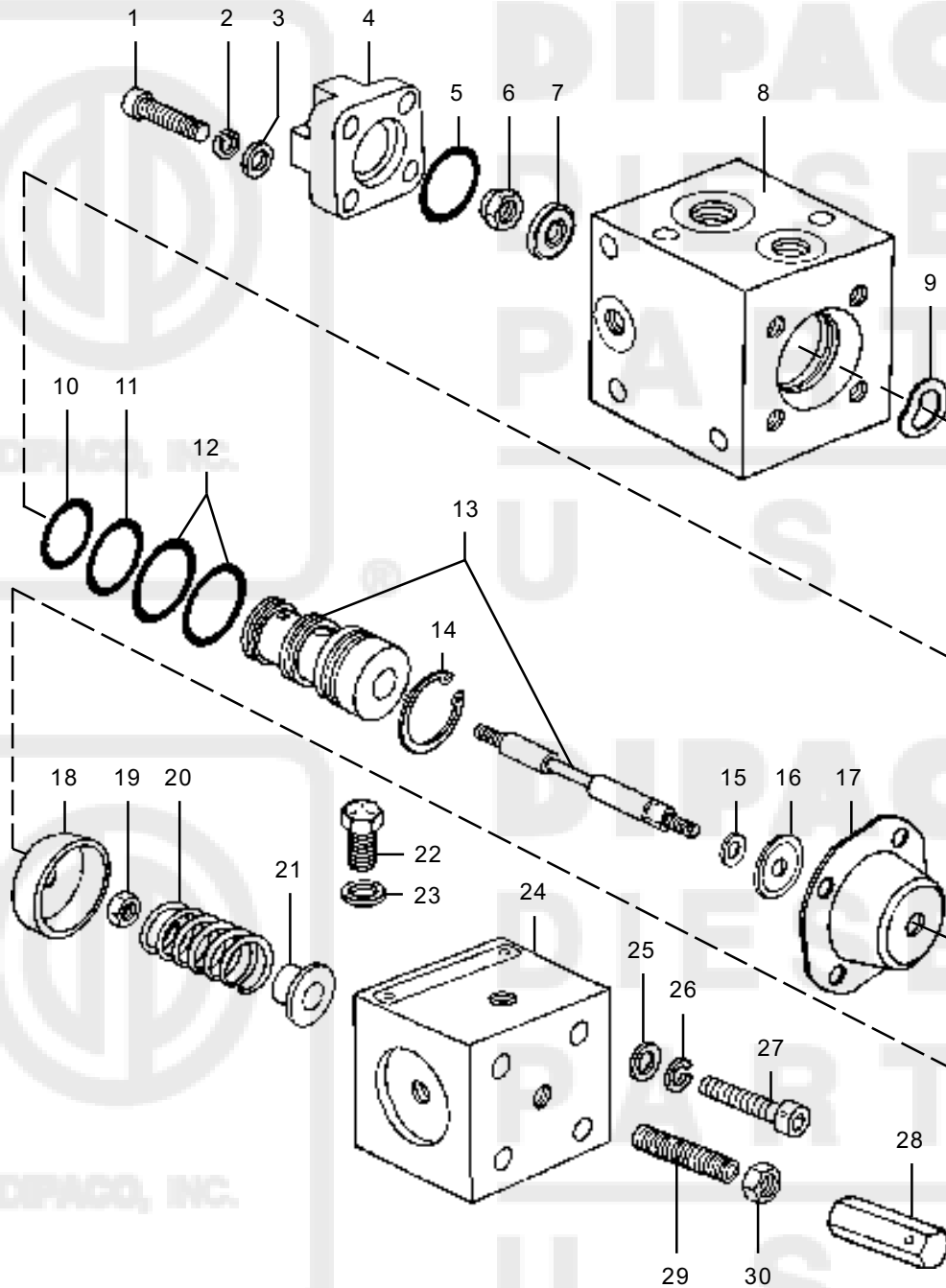
www.dipaco.com ■ sales@dipaco.com

Telephone: (775) 329-7511 ■ Fax: (775) 329-9740 ■ Toll Free: (800) 648-4720 ■ Toll Free Fax: (888) 320-7761



**DIPACO**  
**DIESEL**  
**PARTS**  
**U S A**

### STC VALVE WITH DIAPHRAGM



DIPACO, Inc.

105 East Parr Boulevard, Reno, Nevada 89512 USA

www.dipaco.com ■ sales@dipaco.com

Telephone: (775) 329-7511 ■ Fax: (775) 329-9740 ■ Toll Free: (800) 648-4720 ■ Toll Free Fax: (888) 320-7761



### STC VALVE WITH DIAPHRAGM

REF	PART	DESCRIPTION	QTY	REF	PART	DESCRIPTION	QTY
1	3075637	CAPSCREW	4				
2	181466	LOCKWASHER	8				
3	70704	FLAT WASHER	8				
4	3069989	COVER	1				
5	3034408	O RING	1				
6	3029301	NUT	2				
7	3073998	DISC VALVE	1				
8	*	BODY	1				
9	3054411	BEVELLED SPRING	1				
10	3045986	O RING	1				
11	3066914	O RING	1				
12	3042542	O RING	2				
13	3060605	BARREL AND PLUNGER	1				
14	S16240	RETAINING RING	1				
15	8078	COPPER WASHER	1				
16	3054405	WASHER RETAINER	1				
17	3054407	DIAPHRAGM	1				
18	3054163	PISTON	1				
19	3029301	NUT	2				
20	PAGE 65	SPRING	1				
21	3049041	SPRING RETAINER	1				
22	70446	CAPSCREW PLUG	1				
23	3069998	SEAL WASHER	1				
24	*	SPRING COVER	1				
25	70704	FLAT WASHER	8				
26	181466	LOCKWASHER	8				
27	3075638	CAPSCREW	1				
28	3055687	ACORN NUT	1				
29	*	SOCKET SET SCREW	1				
30	3021639	NUT	1				
-	3803282	REPAIR KIT (Page 65)	1				
		*Due to the quantity of part numbers available for the above categories please consult your Cummins microfiche or contact DIPACO customer service.					

DIPACO, Inc.

105 East Parr Boulevard, Reno, Nevada 89512 USA

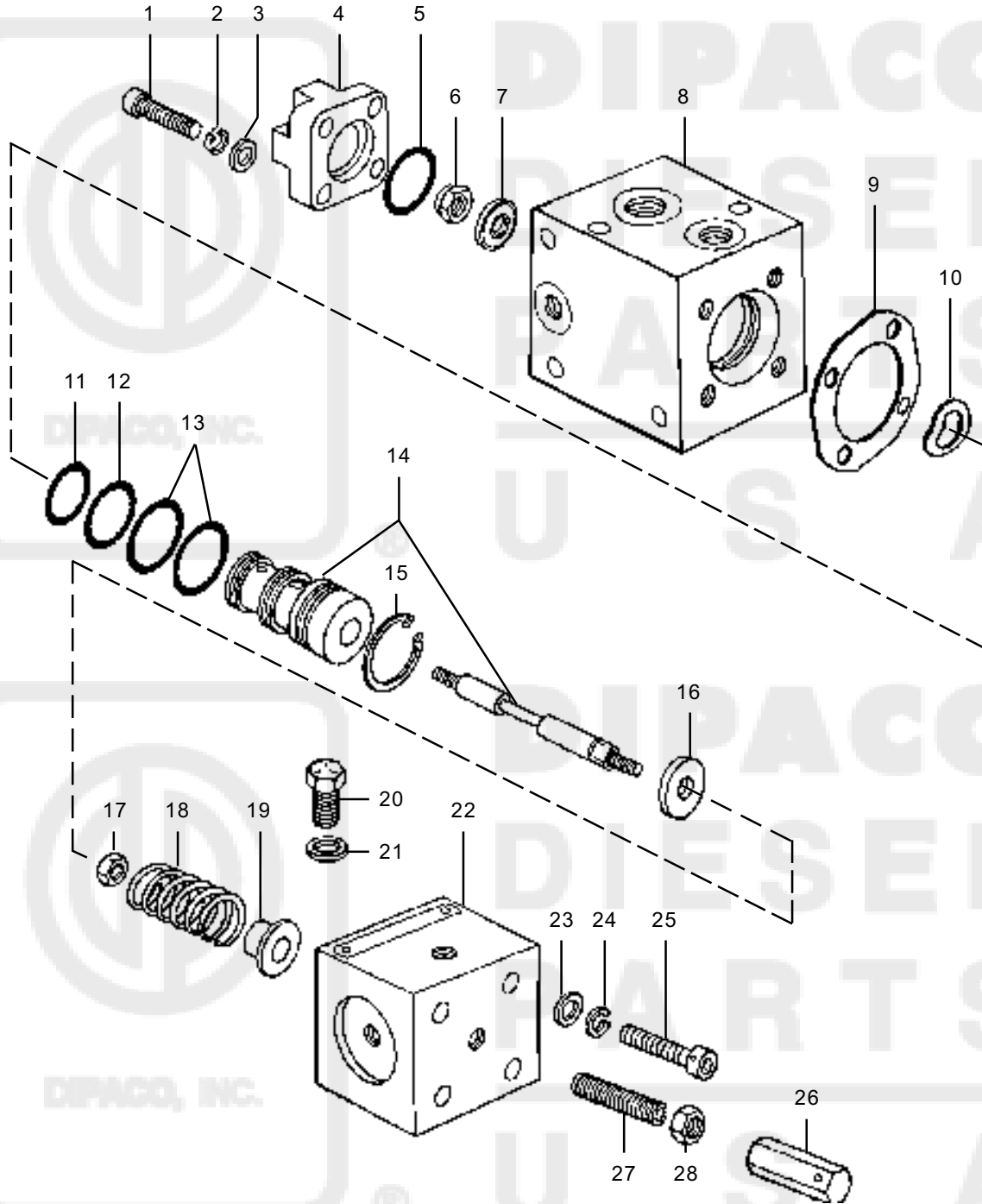
www.dipaco.com ■ sales@dipaco.com

Telephone: (775) 329-7511 ■ Fax: (775) 329-9740 ■ Toll Free: (800) 648-4720 ■ Toll Free Fax: (888) 320-7761



**DIPACO**  
**DIESEL**  
**PARTS**  
**U S A**

### STC VALVE WITH GASKET



DIPACO, Inc.

105 East Parr Boulevard, Reno, Nevada 89512 USA

www.dipaco.com ■ sales@dipaco.com

Telephone: (775) 329-7511 ■ Fax: (775) 329-9740 ■ Toll Free: (800) 648-4720 ■ Toll Free Fax: (888) 320-7761





### STC VALVE WITH GASKET

REF	PART	DESCRIPTION	QTY	REF	PART	DESCRIPTION	QTY
1	3075637	CAPSCREW	4				
2	181466	LOCK WASHER	8				
3	70704	FLAT WASHER	8				
4	3069989	COVER	1				
5	3034408	O RING	1				
6	3029301	NUT	2				
7	3073998	DISC VALVE	1				
8	*	BODY	1				
9	3070108	GASKET	1				
10	3054411	BEVELLED SPRING	1				
11	3045986	O RING	1				
12	3066914	O RING	1				
13	3042542	O RING	2				
14	3060605	BARREL AND PLUNGER	1				
15	S16240	RETAINING RING	1				
16	3070186	PLAIN WASHER	1				
17	3029301	NUT	2				
18	PAGE 65	SPRING	1				
19	3049041	SPRING RETAINER	1				
20	70446	CAPSCREW PLUG	1				
21	3069998	SEAL WASHER	1				
22	*	SPRING COVER	1				
23	70704	FLAT WASHER	8				
24	181466	LOCKWASHER	8				
25	3075638	CAPSCREW	1				
26	3055687	ACORN NUT	1				
27	*	SOCKET SET SCREW	1				
28	3021639	NUT	1				
-	3803282	REPAIR KIT (Page 65)	1				

\* Due to the quantity of part numbers available for the above categories please consult your Cummins microfiche or contact DIPACO customer service.

DIPACO, Inc.

105 East Parr Boulevard, Reno, Nevada 89512 USA

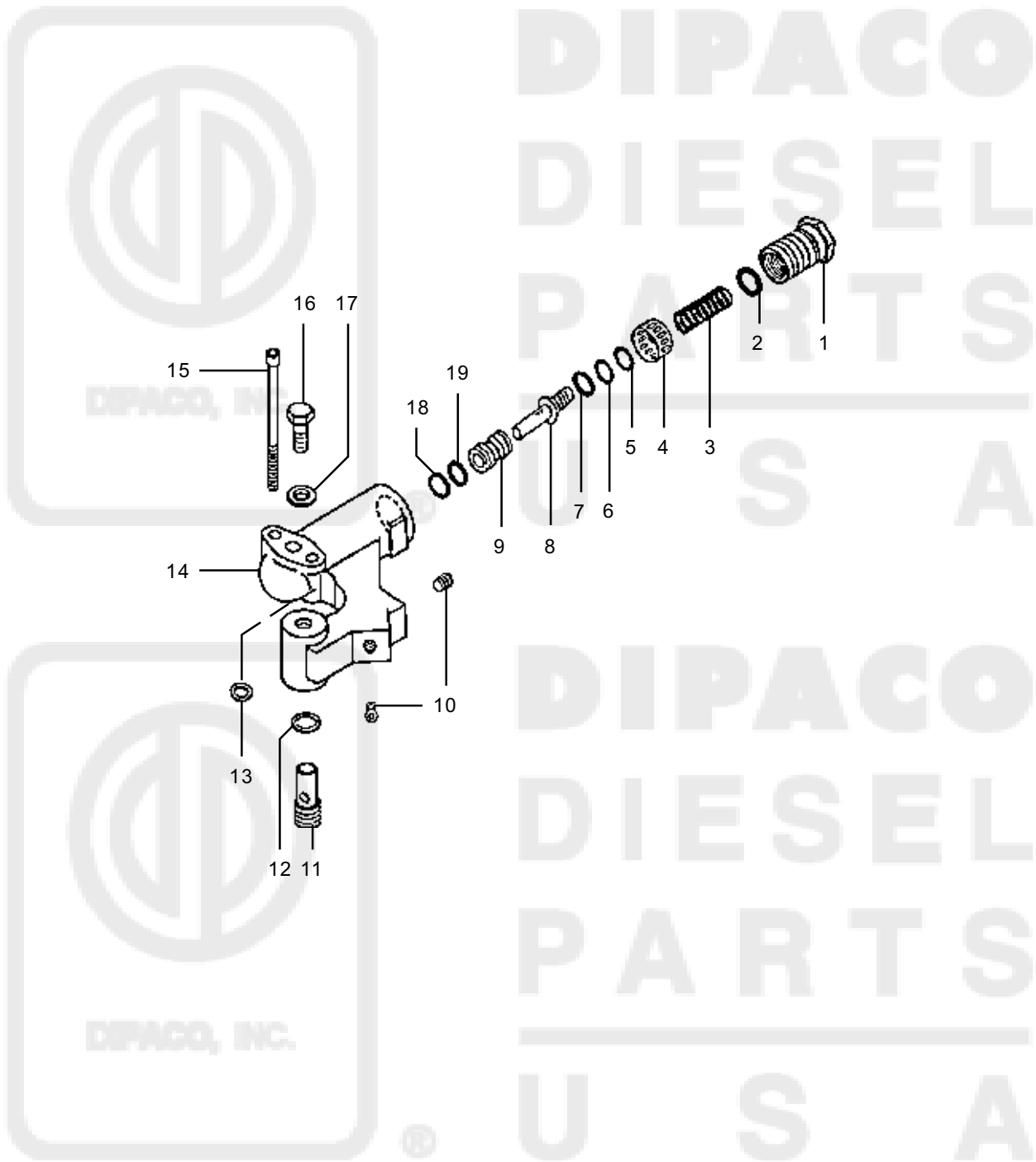
www.dipaco.com ■ sales@dipaco.com

Telephone: (775) 329-7511 ■ Fax: (775) 329-9740 ■ Toll Free: (800) 648-4720 ■ Toll Free Fax: (888) 320-7761



**DIPACO**  
**DIESEL**  
**PARTS**  
**U S A**

## TORQUE MODIFYING DEVICE



DIPACO, Inc.

105 East Parr Boulevard, Reno, Nevada 89512 USA

www.dipaco.com ■ sales@dipaco.com

Telephone: (775) 329-7511 ■ Fax: (775) 329-9740 ■ Toll Free: (800) 648-4720 ■ Toll Free Fax: (888) 320-7761



### TORQUE MODIFYING DEVICE

REF	PART	DESCRIPTION	QTY	REF	PART	DESCRIPTION	QTY
1	124022	CAP, BYPASS VALVE	1				
2	70775	O RING	1				
3	109686	SPRING (Blue)	1				
3	109687	SPRING (Yellow)	1				
3	109688	SPRING (Green/White)	1				
3	109689	SPRING (Gray)	1				
3	109690	SPRING (Pink)	1				
4	70779	RING, BYPASS VALVE	1				
5	101841	SHIM .005	A/R				
6	101842	SHIM .010	A/R				
7	101843	SHIM .020	A/R				
8	3003150	PLUNGER, PRESSURE REGULATOR	1				
9	126337	SLEEVE, BYPASS VALVE	1				
10	S965E	PLUG, PIPE	2				
11	126119	ADAPTER, ANEROID CONTROL	1				
12	154087	O RING, SQUARE CUT	1				
13	154086	O RING, SQUARE CUT	1				
14	194870	BODY, TORQUE MOD. VALVE	1				
15	133538	CAPSCREW, SOCKET HEAD	2				
16	S102A	CAPSCREW, HEX HEAD	1				
17	106943	WASHER	1				
18	102030	O RING	1				
19	126333	O RING, SQUARE CUT	1				

DIPACO, Inc.

105 East Parr Boulevard, Reno, Nevada 89512 USA

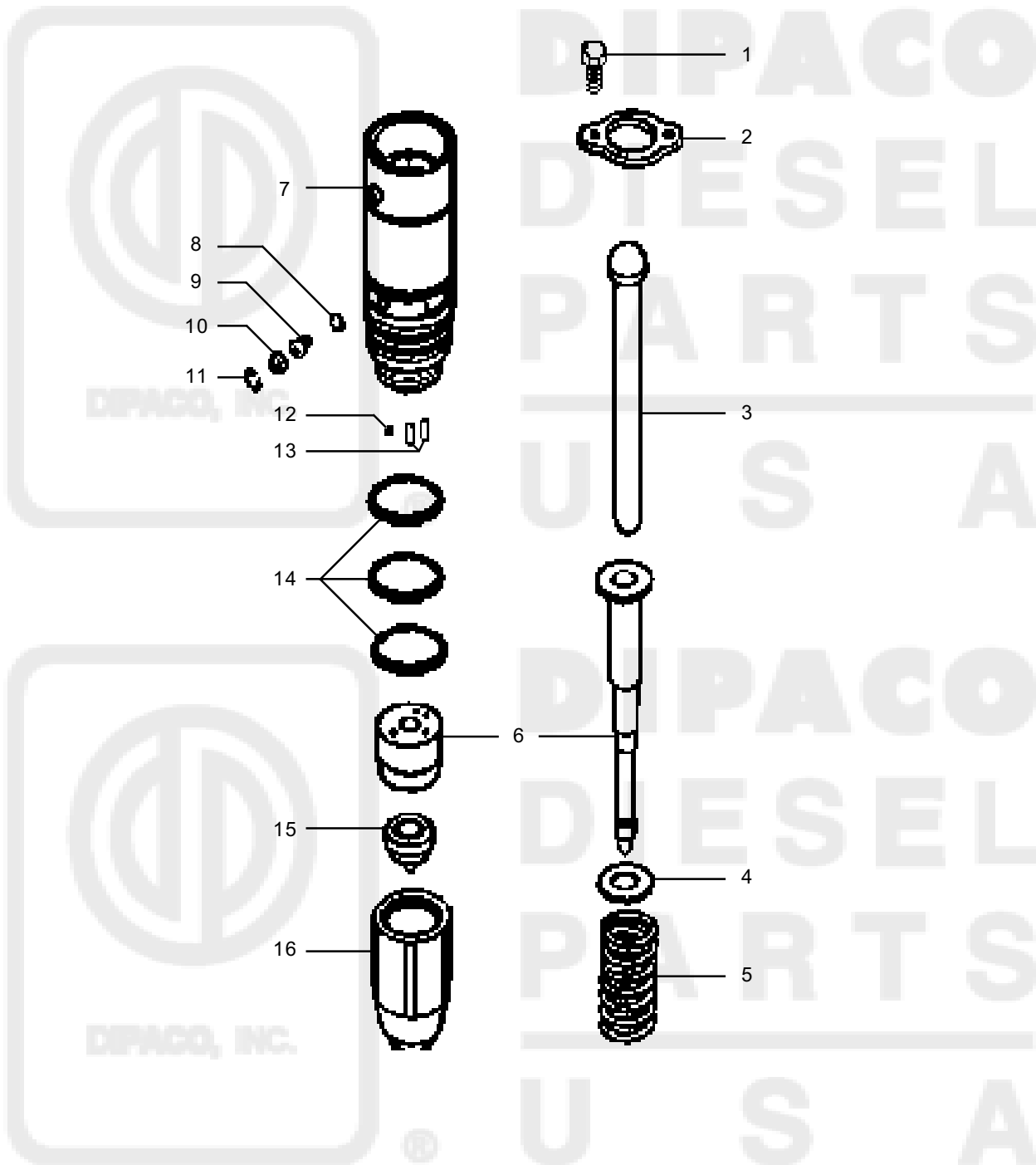
www.dipaco.com ■ sales@dipaco.com

Telephone: (775) 329-7511 ■ Fax: (775) 329-9740 ■ Toll Free: (800) 648-4720 ■ Toll Free Fax: (888) 320-7761



**DIPACO**  
**DIESEL**  
**PARTS**  
**U S A**

**PTD INJECTOR**



DIPACO, Inc.

105 East Parr Boulevard, Reno, Nevada 89512 USA

www.dipaco.com ■ sales@dipaco.com

Telephone: (775) 329-7511 ■ Fax: (775) 329-9740 ■ Toll Free: (800) 648-4720 ■ Toll Free Fax: (888) 320-7761



### PTD INJECTOR

REF	PART	DESCRIPTION	QTY	REF	PART	DESCRIPTION	QTY
1	3049333	CAPSCREW, TWELVE POINT	2				
2	3060447	CLAMP	1				
3	*	LINK	1				
4	180626	WASHER	1				
5	166009	SPRING, COMPRESSION	1				
6	PAGE 62	PLUNGER AND BARREL	1				
7	185139	BODY	1				
8	173086	ORIFICE GASKET	1				
8	173086C	ORIFICE GASKET, COPPER	1				
9	PAGE 64	ORIFICE	1				
10	3008706	SCREEN	1				
11	174299	RETAINER	1				
12	167157	CHECK BALL	1				
13	203426	ROLL PIN	2				
14	193736	O RING	3				
15	PAGE 63	CUP	1				
16	185138	CUP RETAINER	1				

\*Refer to Cummins Bulletin 3379664-14 or contact DIPACO customer service.

DIPACO, Inc.

105 East Parr Boulevard, Reno, Nevada 89512 USA

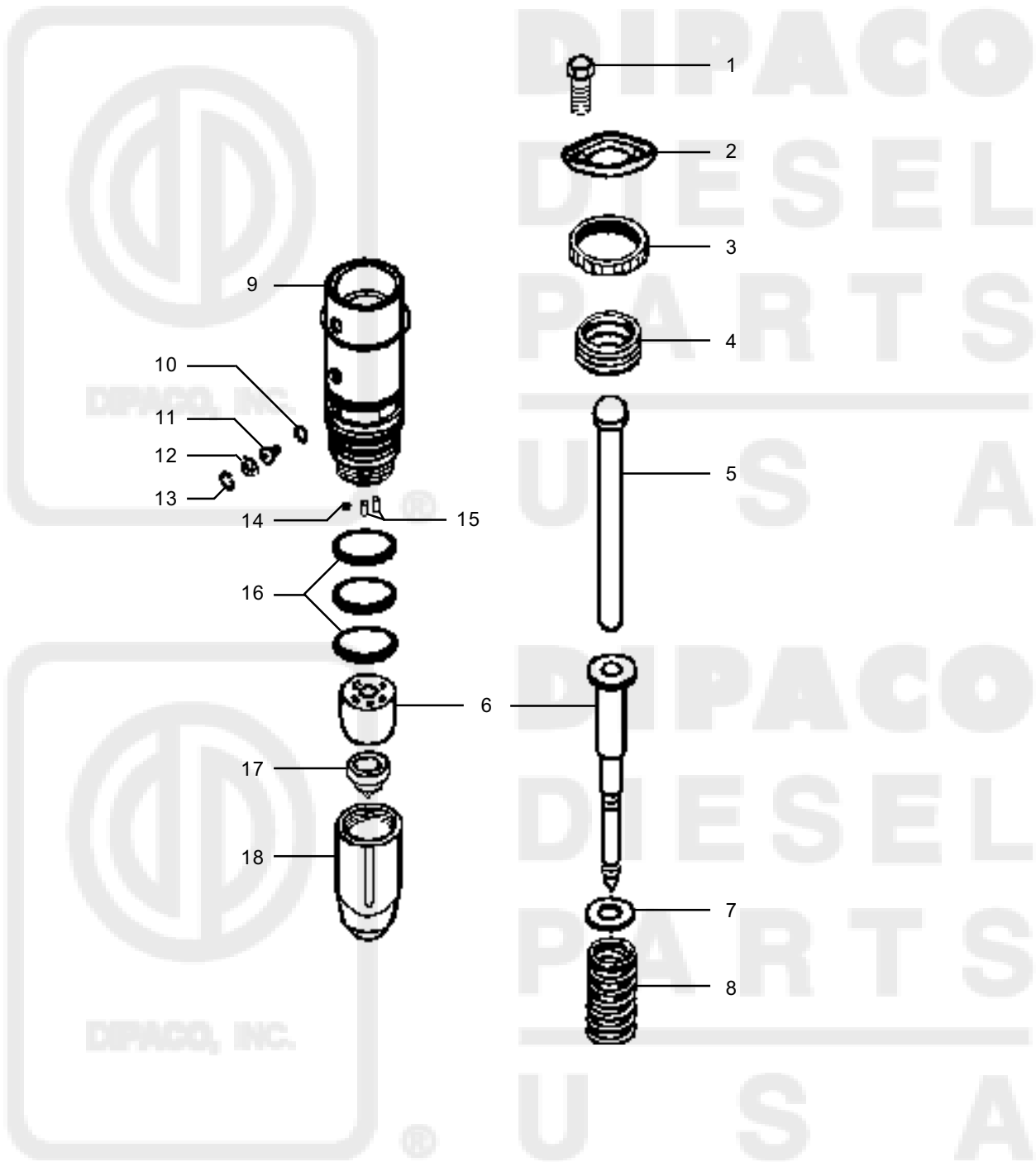
www.dipaco.com ■ sales@dipaco.com

Telephone: (775) 329-7511 ■ Fax: (775) 329-9740 ■ Toll Free: (800) 648-4720 ■ Toll Free Fax: (888) 320-7761



**DIPACO**  
**DIESEL**  
**PARTS**  
**U S A**

### TOP STOP INJECTOR



DIPACO, Inc.

105 East Parr Boulevard, Reno, Nevada 89512 USA

www.dipaco.com ■ sales@dipaco.com

Telephone: (775) 329-7511 ■ Fax: (775) 329-9740 ■ Toll Free: (800) 648-4720 ■ Toll Free Fax: (888) 320-7761



### TOP STOP INJECTOR

REF	PART	DESCRIPTION	QTY	REF	PART	DESCRIPTION	QTY
1	3049333	CAPSCREW, TWELVE POINT	2				
2	3049332	CLAMP	1				
3	3000465	LOCK NUT	1				
4	212954	RETAINER	1				
5	*	LINK	1				
6	PAGE 62	PLUNGER AND BARREL	1				
7	3015469	RETAINER	1				
8	166009	SPRING	1				
9	3000464	BODY	1				
10	173086	ORIFICE GASKET	1				
10	173086C	ORIFICE GASKET, COPPER	1				
11	PAGE 64	ORIFICE PLUG	1				
12	3008706	SCREEN	1				
13	174299	CLIP	1				
14	167157	CHECK BALL	1				
15	203426	ROLL PIN	2				
16	193736	O RING	3				
17	PAGE 63	CUP	1				
18	185138	RETAINER	1				
		*Refer to Cummins Bulletin 3379664-14 or contact DIPACO customer service.					

DIPACO, Inc.

105 East Parr Boulevard, Reno, Nevada 89512 USA

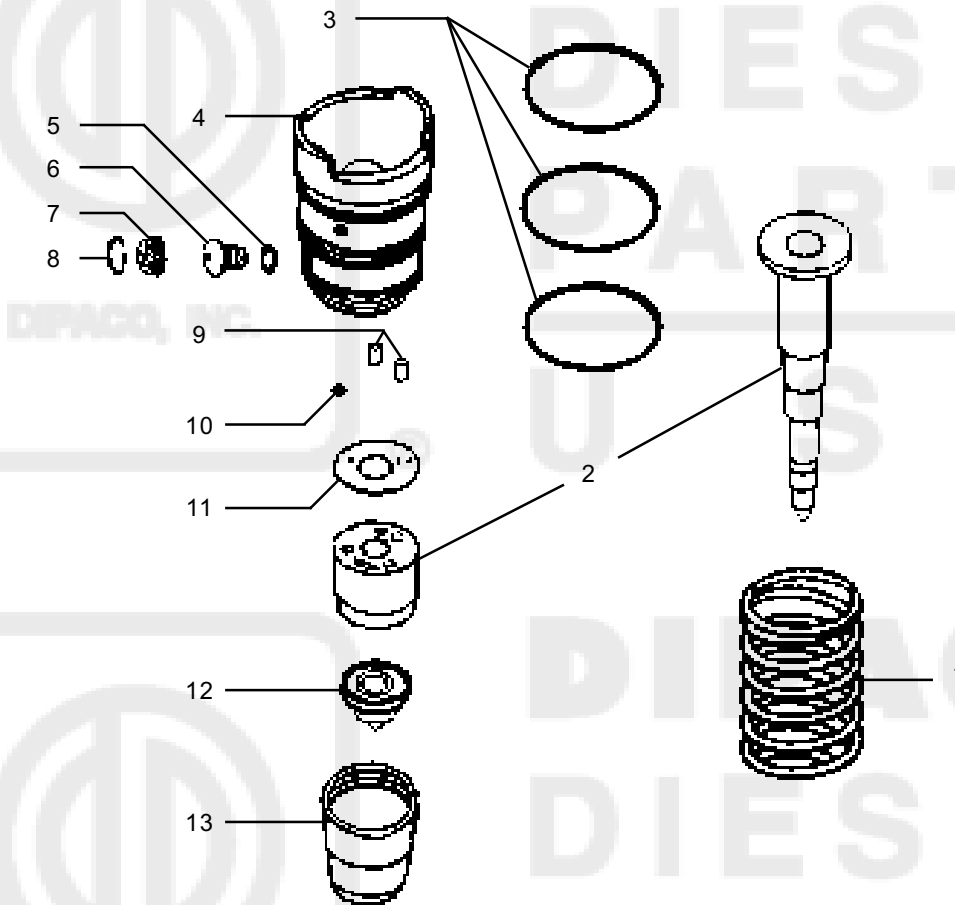
www.dipaco.com ■ sales@dipaco.com

Telephone: (775) 329-7511 ■ Fax: (775) 329-9740 ■ Toll Free: (800) 648-4720 ■ Toll Free Fax: (888) 320-7761



**DIPACO**  
**DIESEL**  
**PARTS**  
**U S A**

### 5/16 PTD INJECTOR



DIPACO, Inc.

105 East Parr Boulevard, Reno, Nevada 89512 USA

www.dipaco.com ■ sales@dipaco.com

Telephone: (775) 329-7511 ■ Fax: (775) 329-9740 ■ Toll Free: (800) 648-4720 ■ Toll Free Fax: (888) 320-7761

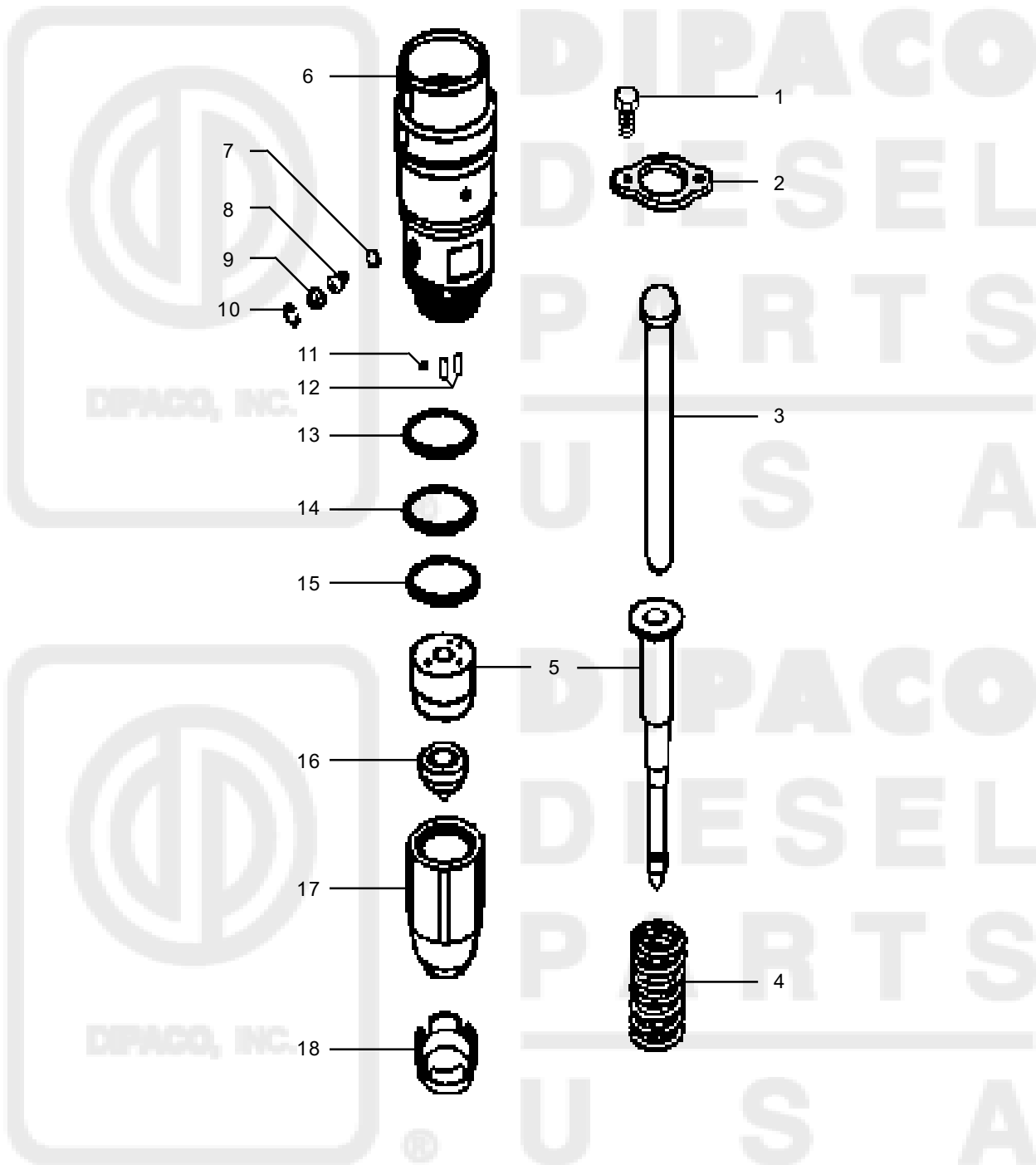






**DIPACO**  
**DIESEL**  
**PARTS**  
**U S A**

### K-PTD INJECTOR



DIPACO, Inc.

105 East Parr Boulevard, Reno, Nevada 89512 USA

www.dipaco.com ■ sales@dipaco.com

Telephone: (775) 329-7511 ■ Fax: (775) 329-9740 ■ Toll Free: (800) 648-4720 ■ Toll Free Fax: (888) 320-7761



### K-PTD INJECTOR

REF	PART	DESCRIPTION	QTY	REF	PART	DESCRIPTION	QTY
1	165006	CAPSCREW	2				
2	3006696	CLAMP	1				
3	*	LINK	1				
4	205464	SPRING	1				
5	PAGE 62	PLUNGER AND BARREL	1				
6	205463	BODY	1				
7	173086	ORIFICE GASKET	1				
7	173086C	ORIFICE GASKET, COPPER	1				
8	PAGE 64	ORIFICE	1				
9	3008706	SCREEN	1				
10	174299	CLIP	1				
11	167157	BALL	1				
12	203426	ROLL PIN	2				
13	3010510	O RING	1				
14	205216	O RING	1				
15	193736	O RING	1				
16	PAGE 63	CUP	1				
17	207245	RETAINER	1				
18	207244	SEAL	1				
18	3001658	SEAL	1				
18	3001659	SEAL	1				
18	3001660	SEAL	1				

\*Refer to Cummins Bulletin 3379664-14 or contact DIPACO customer service.

DIPACO, Inc.

105 East Parr Boulevard, Reno, Nevada 89512 USA

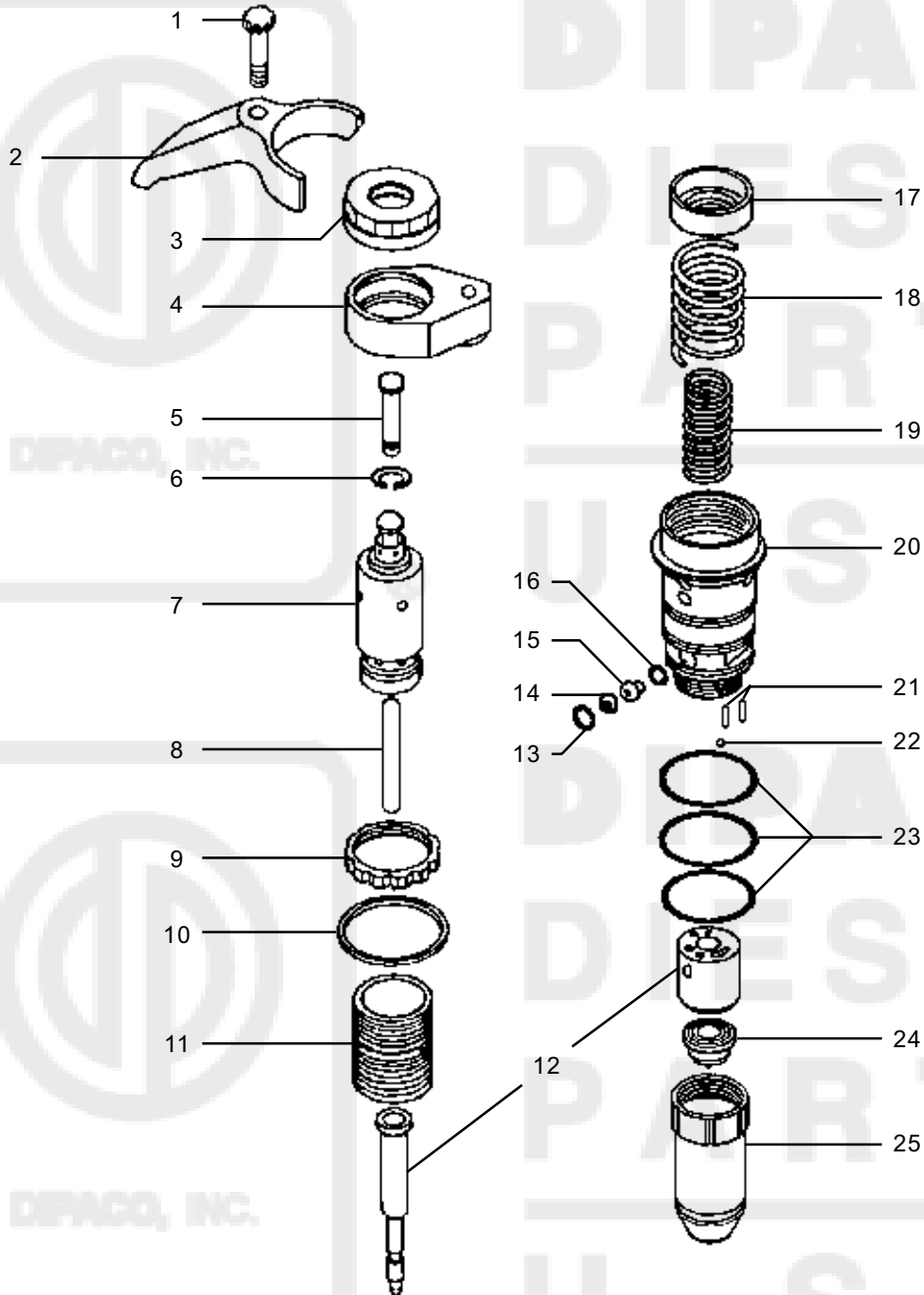
www.dipaco.com ■ sales@dipaco.com

Telephone: (775) 329-7511 ■ Fax: (775) 329-9740 ■ Toll Free: (800) 648-4720 ■ Toll Free Fax: (888) 320-7761



**DIPACO**  
**DIESEL**  
**PARTS**  
**U S A**

### NT-STC INJECTOR



DIPACO, Inc.

105 East Parr Boulevard, Reno, Nevada 89512 USA

www.dipaco.com ■ sales@dipaco.com

Telephone: (775) 329-7511 ■ Fax: (775) 329-9740 ■ Toll Free: (800) 648-4720 ■ Toll Free Fax: (888) 320-7761



**NT-STC INJECTOR**

REF	PART	DESCRIPTION	QTY
1	3058686	CAPSCREW	1
2	3048326	CLAMP	1
3	3053769	CAP	1
4	3062139	NUT	1
5	**	LINK	1
6	3052231	RETAINER	1
7	*	TAPPET	1
8	3028447	LINK	1
9	3000465	LOCK NUT	1
10	3041493	WASHER	1
11	3055742	SCREW	1
12	PAGE 62	PLUNGER AND BARREL	1
13	174299	CLIP	1
14	3008706	SCREEN	1
15	PAGE 64	ORIFICE	1
16	173086	ORIFICE GASKET	1
16	173086C	ORIFICE GASKET, COPPER	1
17	3052218	RETAINER	1
18	3023478	SPRING	1
19	3034167	SPRING	1
20	3023934	BODY	1
21	203426	ROLL PIN	2
22	167157	CHECK BALL	1
23	193736	O RING. VITON	3
24	PAGE 63	CUP	1
25	185138	NUT	1

\*Due to the amount of part numbers available consult Cummins Technical Bulletin 94T6-7 or contact DIPACO customer service.

\*\*Refer to Cummins Bulletin 3379664-14 or contact DIPACO customer service.

REF	PART	DESCRIPTION	QTY
-	3803101	TAPPET REPAIR KIT	1
-	3027988	THIN SOCKET	1
-	3027994	RETAINING RING	1
-	3027994	SPRING	1
-	3027996	BALL	1
-	3031198	SOCKET	1
-	3050345	SPRING	1
-	3062119	CHECK BALL	1
-	3050344	GUIDE	1
-	3054852	SPRING	1
-	3076033	GUIDE SPRING	1
-	3803497	TAPPET REPAIR KIT	1
-	3027988	THICK SOCKET	1
-	3027994	RETAINING RING	1
-	3027994	SPRING	1
-	3027996	BALL	1
-	3050345	SPRING	1
-	3054852	SPRING	1
-	3062119	CHECK BALL	1
-	3075384	SOCKET	1
-	3075385	GUIDE	1
-	3076033	GUIDE SPRING	1

DIPACO, Inc.

105 East Parr Boulevard, Reno, Nevada 89512 USA

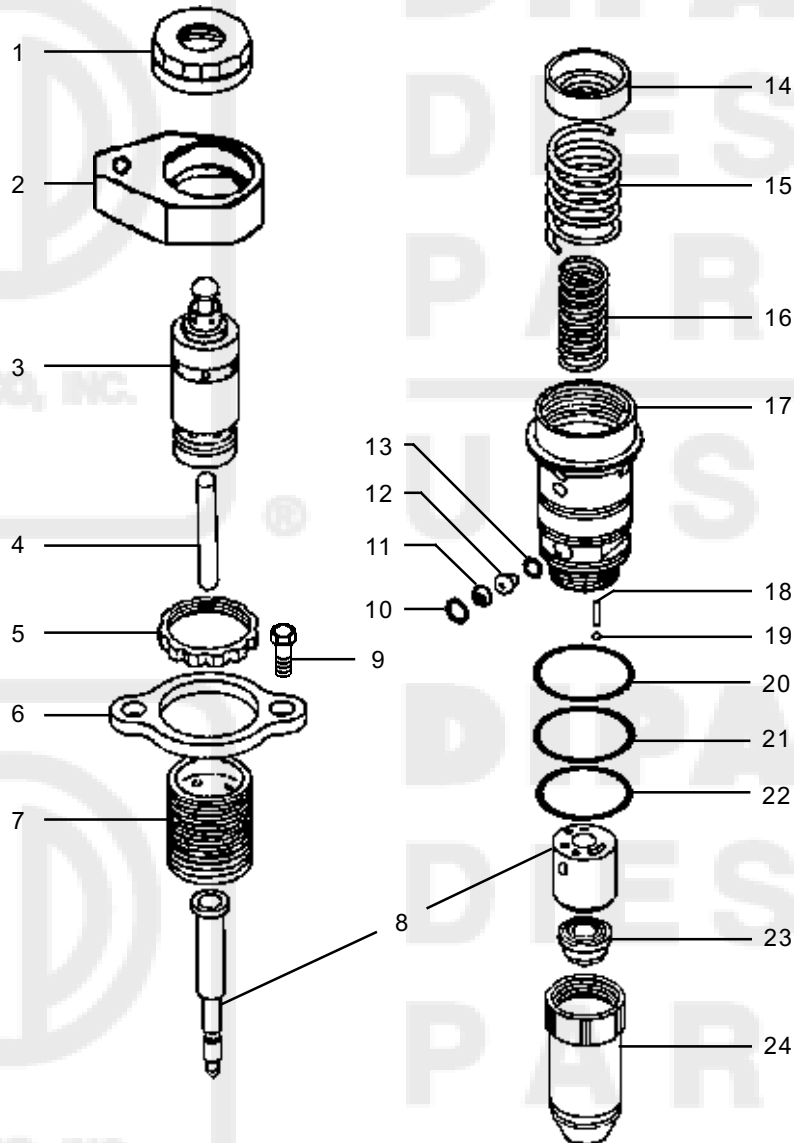
www.dipaco.com ■ sales@dipaco.com

Telephone: (775) 329-7511 ■ Fax: (775) 329-9740 ■ Toll Free: (800) 648-4720 ■ Toll Free Fax: (888) 320-7761



**DIPACO**  
**DIESEL**  
**PARTS**  
**U S A**

### K-STC INJECTOR



DIPACO, Inc.

105 East Parr Boulevard, Reno, Nevada 89512 USA

www.dipaco.com ■ sales@dipaco.com

Telephone: (775) 329-7511 ■ Fax: (775) 329-9740 ■ Toll Free: (800) 648-4720 ■ Toll Free Fax: (888) 320-7761



**K-STC INJECTOR**

REF	PART	DESCRIPTION	QTY
1	3053769	CAP	1
2	3055743	NUT	1
3	*	TAPPET ASSY	1
4	**	LINK	1
5	3000465	LOCK NUT	1
6	3048326	CLAMP	1
7	3055742	SCREW	1
8	PAGE 62	PLUNGER AND BARREL	1
9	3001510	SCREW	2
10	174299	CLIP	1
11	3008706	SCREEN	1
12	PAGE 64	ORIFICE	1
13	173086	ORIFICE GASKET	1
13	173086C	ORIFICE GASKET, COPPER	1
14	3052218	RETAINER	1
15	3042428	SPRING	1
16	3042427	SPRING	1
17	3042425	BODY	1
18	203426	ROLL PIN	2
19	167157	CHECK BALL	1
20	3010510	O RING, RED DOT	1
21	193736	O RING, GREEN DOT	1
22	205216	O RING	1
23	PAGE 63	CUP	1
24	3042430	RETAINER	1

\*Due to the amount of part numbers available consult Cummins Technical Bulletin 94T6-7 or contact DIPACO customer service.

\*\*Refer to Cummins Bulletin 3379664-14 or contact DIPACO customer service.

REF	PART	DESCRIPTION	QTY
-	3803101	TAPPET REPAIR KIT	1
-		THIN SOCKET	
-	3027988	RETAINING RING	1
-	3027994	SPRING	1
-	3027996	BALL	1
-	3031198	SOCKET	1
-	3050345	SPRING	1
-	3062119	CHECK BALL	1
-	3050344	GUIDE	1
-	3054852	SPRING	1
-	3076033	GUIDE SPRING	1
-	3803497	TAPPET REPAIR KIT	1
-		THICK SOCKET	
-	3027988	RETAINING RING	1
-	3027994	SPRING	1
-	3027996	BALL	1
-	3050345	SPRING	1
-	3054852	SPRING	1
-	3062119	CHECK BALL	1
-	3075384	SOCKET	1
-	3075385	GUIDE	1
-	3076033	GUIDE SPRING	1

DIPACO, Inc.

105 East Parr Boulevard, Reno, Nevada 89512 USA

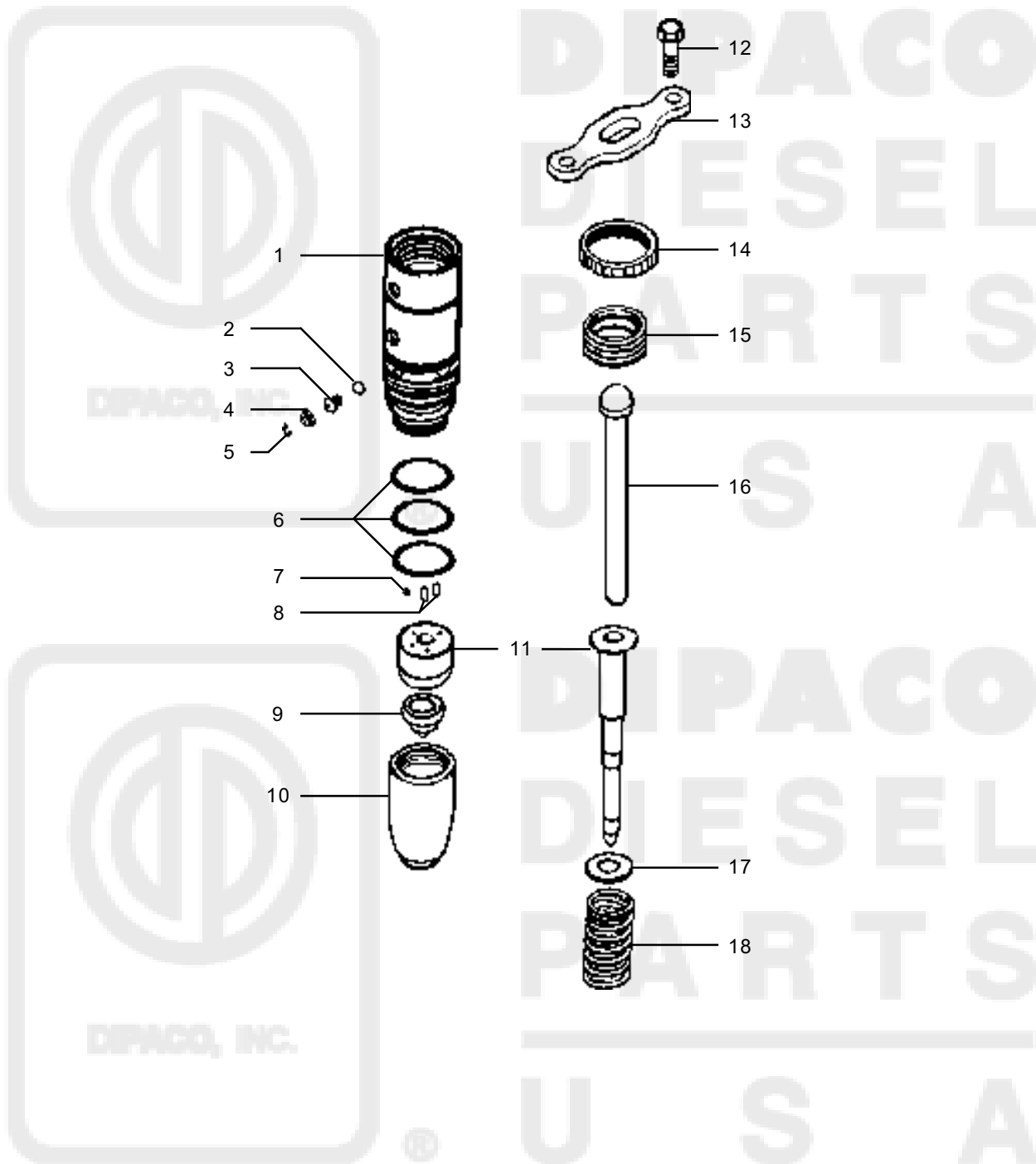
www.dipaco.com ■ sales@dipaco.com

Telephone: (775) 329-7511 ■ Fax: (775) 329-9740 ■ Toll Free: (800) 648-4720 ■ Toll Free Fax: (888) 320-7761



**DIPACO**  
**DIESEL**  
**PARTS**  
**U S A**

### L-10 INJECTOR



DIPACO, Inc.

105 East Parr Boulevard, Reno, Nevada 89512 USA

www.dipaco.com ■ sales@dipaco.com

Telephone: (775) 329-7511 ■ Fax: (775) 329-9740 ■ Toll Free: (800) 648-4720 ■ Toll Free Fax: (888) 320-7761





### L-10 INJECTOR

REF	PART	DESCRIPTION	QTY	REF	PART	DESCRIPTION	QTY
1	3028066	BODY	1				
2	173086	ORIFICE GASKET	1				
2	173086C	ORIFICE GASKET, COPPER	1				
3	PAGE 64	ORIFICE	1				
4	3008706	SCREEN	1				
5	174299	CLIP	1				
6	193736	O RING	3				
7	167157	CHECK BALL	1				
8	203426	ROLL PIN	2				
9	PAGE 63	CUP	1				
10	185138	RETAINER	1				
11	PAGE 62	PLUNGER AND BARREL	1				
12	3028367	CAPSCREW	1				
13	3028346	CLAMP	1				
14	3009362	NUT	1				
15	3018772	SCREW	1				
16	*	LINK	1				
17	3049995	RETAINER	1				
18	3062104	SPRING	1				
		*Refer to Cummins Bulletin 3379664-14 or contact DIPACO customer service.					

DIPACO, Inc.

105 East Parr Boulevard, Reno, Nevada 89512 USA

www.dipaco.com ■ sales@dipaco.com

Telephone: (775) 329-7511 ■ Fax: (775) 329-9740 ■ Toll Free: (800) 648-4720 ■ Toll Free Fax: (888) 320-7761



**DIPACO**  
**DIESEL**  
**PARTS**  
**U S A**

**GOVERNOR SPRING PACK**

REF	PART	DESCRIPTION	REF	PART	DESCRIPTION
		<b>HIGH SPEED SPRINGS WITH COLORS</b>			
-	143247	YELLOW	-	3004752	PINK
-	143248	YELLOW/GREEN	-	3004753	PINK/YELLOW
-	143249	YELLOW/WHITE	-	3004754	PINK/GREEN
-	143250	RED/WHITE	-	3004755	PINK/WHITE
-	143251	BLUE/PURPLE	-	3004756	PINK/BLUE
-	143252	RED	-	3051817	RED/BLUE/YELLOW
-	143253	RED/YELLOW	-	3051818	RED/BLUE/WHITE
-	143254	RED/PURPLE	-	3052119	RED/BLUE/GREEN
-	143255	RED/GREEN	-	3052120	RED/BLUE/PURPLE
-	143256	WHITE/BLUE	-	3052121	RED/BLUE/ORANGE
-	144478	WHITE	-	3052122	RED/GREEN/ORANGE
-	144479	GREEN	-	3053100	BLACK/PINK
-	144490	ORANGE	-	3053101	GRAY/PINK
-	144491	LT BLUE	-	3053102	ORANGE/PINK
-	147292	PURPLE	-	3053103	LT BLUE/PINK
-	147293	ORANGE/YELLOW	-	3053104	PINK/PURPLE
-	147294	WHITE/PURPLE	-	3053105	PINK/RED
-	147295	ORANGE/RED	-	3053106	BLACK/BLUE/GREEN
-	147296	GREEN/PURPLE	-	3053107	BLACK/BLUE/GRAY
-	153232	BLUE	-	3053108	BLACK/BLUE/LT BLUE
-	153235	GREEN/ORANGE	-	3053109	BLACK/BLUE/ORANGE
-	153236	GREEN/BLUE	-	3053110	BLACK/BLUE/PINK
-	153237	BLUE/YELLOW	-	3053111	BLACK/BLUE/PURPLE
-	153238	BLUE/RED	-	3053112	BLACK/BLUE/RED
-	3000932	PURPLE/LT BLUE	-	3053113	BLACK/BLUE/WHITE
-	3000933	PURPLE/ORANGE	-	3053114	BLACK/BLUE/YELLOW
-	3000934	BLUE/LT BLUE			
-	3000935	LT BLUE/GREEN			
-	3000936	YELLOW/LT BLUE			
-	3000937	WHITE/LT BLUE			
-	3000938	RED/LT BLUE			
-	3000939	WHITE/ORANGE			
-	3000940	ORANGE/LT BLUE			
-	3000941	GREEN/WHITE			
-	3001146	YELLOW/PURPLE			
-	3001147	BLACK			
-	3001148	BLACK/GREEN			
-	3001149	BLACK/WHITE			
-	3001150	BLACK/YELLOW			
-	3001151	BLACK/RED			
-	3001152	BLACK/BLUE			
-	3001153	GRAY			
-	3001154	BLACK/ORANGE			
-	3001155	BLACK/LT BLUE			
-	3001156	BLACK/PURPLE			
-	3001157	YELLOW/GRAY			
-	3001158	GREEN/GRAY			
-	3001159	GRAY/WHITE			
-	3001160	GRAY/RED			
-	3001161	GRAY/BLUE			
-	3001162	GRAY/BLACK			
-	3001163	GRAY/ORANGE			
-	3004750	GRAY/PURPLE			
-	3004751	GRAY/LT BLUE			

DIPACO, Inc.

105 East Parr Boulevard, Reno, Nevada 89512 USA

www.dipaco.com ■ sales@dipaco.com

Telephone: (775) 329-7511 ■ Fax: (775) 329-9740 ■ Toll Free: (800) 648-4720 ■ Toll Free Fax: (888) 320-7761



**GOVERNOR SPRING PACK**

REF	PART	DESCRIPTION
		<b>IDLE SPRING PLUNGER BUTTONS CODE/COUNTERBORE DIAMETERS</b>
-	137370	40 - .2785/.2815"
-	138862	45 - .2885/.2915"
-	139618	52 - .3035/.3065"
-	139619	55 - .3085/.3115"
-	139894	15 - .2285/.2315"
-	140417	17 - .2335/.2365"
-	140418	37 - .2735/.2765"
-	140922	35 - .2685/.2715"
-	140923	42 - .2835/.2865"
-	140924	47 - .2935/.2965"
-	140925	50 - .2985/.3015"
-	140926	57 - .3135/.3165"
-	140927	60 - .3185/.3215"
-	141623	5 - .2085/.2115"
-	141624	7 - .2135/.2165"
-	141625	10 - .2185/.2215"
-	141626	12 - .2235/.2265"
-	141629	20 - .2385/.2415"
-	141630	22 - .2435/.2465"
-	141631	25 - .2485/.2515"
-	141632	27 - .2535/.2565"
-	141633	30 - .2585/.2615"
-	141634	32 - .2635/.2665"
-	141638	67 - .3335/.3365"
-	145947	170 - .3385/.3415"
-	145948	172 - .3435/.3465"
-	145949	175 - .3485/.3515"
-	145950	177 - .3535/.3565"
-	145951	180 - .3585/.3615"
-	145952	182 - .3635/.3665"
-	145953	185 - .3685/.3715"
-	145954	187 - .3735/.3765"
-	145955	190 - .3785/.3815"
-	145956	192 - .3835/.3865"
-	145957	195 - .3885/.3915"
-	145958	197 - .3935/.3965"
-	145959	200 - .3985/.4015"

DIPACO, Inc.

105 East Parr Boulevard, Reno, Nevada 89512 USA

www.dipaco.com ■ sales@dipaco.com

Telephone: (775) 329-7511 ■ Fax: (775) 329-9740 ■ Toll Free: (800) 648-4720 ■ Toll Free Fax: (888) 320-7761



## GOVERNOR PLUNGERS, SPRINGS AND ASSEMBLIES

REF	PART	DESCRIPTION	REF	PART	DESCRIPTION	QTY
		<b>203350 SERIES</b>			<b>3063060 55 DEGREE CHAMFER</b>	
		<b>AFC &amp; PTG</b>			GOVERNOR PLUNGER	
-	203350-0	STANDARD - RED	-	3063060-0	GOVERNOR PLUNGER	
-	203350-1	.3747 - BLUE	-	3063060-1	GOVERNOR PLUNGER	
-	203350-2	.3748 - GREEN	-	3063060-2	GOVERNOR PLUNGER	
-	203350-3	.3749 - YELLOW	-	3063060-3	GOVERNOR PLUNGER	
-	203350-4	.3750 - ORANGE	-	3063060-4	GOVERNOR PLUNGER	
-	203350-5	.3751 - BLACK	-	3063060-5	GOVERNOR PLUNGER	
-	203350-6	.3752 - GRAY	-	3063060-6	GOVERNOR PLUNGER	
-	203350-7	.3753 - PURPLE	-	3063060-7	GOVERNOR PLUNGER	
-	203350-8	.3754 - BROWN			<b>GOVERNOR PLUNGER</b>	
-	203350-9	.3755 - PINK			<b>ASSEMBLIES</b>	
-	203350-10	.3756 - RED/GRAY	-	3039070	GOVERNOR PLUNGER ASSY	1
-	203350-11	.3757 - BLUE/GRAY		203350	GOVERNOR PLUNGER - BY SIZE	1
-	203350-12	.3758 - GREEN/GRAY		3027633	WASHER	1
-	203350-13	.3759 - YELLOW/GRAY		144302	SPACER	1
-	203350-14	.3760 - ORANGE/GRAY		70690	DRIVER	1
-	203350-15	.3761 - BLACK/GRAY				
-	203350-16	.3762 - VIOLET/GRAY	-	3010810	GOVERNOR PLUNGER ASSY	1
-	203350-17	.3763 - BROWN/GRAY		3009380	GOVERNOR PLUNGER - BY SIZE	1
-	203350-18	.3764 - PINK/GRAY		3027633	WASHER	1
-	203350-19	.3765 - BLUE/PURPLE		144302	SPACER	1
-	203350-20	.3766 - RED/PURPLE		70690	DRIVER	1
-	203350-21	.3767 - BLACK/PURPLE				
-	203350-22	.3768 - GREEN/PURPLE	-	3040760	GOVERNOR PLUNGER ASSY	1
-	203350-23	.3769 - YELLOW/PURPLE		3040750	GOVERNOR PLUNGER - BY SIZE	1
-	203350-24	.3770 - BROWN/PURPLE		3027633	WASHER	1
-	203350-25	.3771 - ORANGE/PURPLE		144302	SPACER	1
		<b>3009380 AFC TAPER SEAT</b>		70690	DRIVER	1
-	3009380-0	STANDARD - RED	-	3063080	GOVERNOR PLUNGER ASSY	1
-	3009380-1	.3747 - BLUE		3063060	GOVERNOR PLUNGER - BY SIZE	1
-	3009380-2	.3748 - GREEN		3027633	WASHER	1
-	3009380-3	.3749 - YELLOW		3048557	SPACER	1
-	3009380-4	.3750 - ORANGE		70690	DRIVER	1
-	3009380-5	.3751 - BLACK				
-	3009380-6	.3752 - GRAY	-	3065420	GOVERNOR PLUNGER ASSY	1
-	3009380-7	.3753 - PURPLE		3063060	GOVERNOR PLUNGER - BY SIZE	1
-	3009380-8	.3754 - BROWN		3021488	WASHER	1
-	3009380-9	.3755 - PINK		3021489	WASHER	1
-	3009380-10	.3756 - RED/GRAY		3066638	SPACER	1
-	3009380-11	.3757 - BLUE/GRAY		70690	DRIVER	1
-	3009380-12	.3758 - GREEN/GRAY				
-	3009380-13	.3759 - YELLOW/GRAY			<b>TORQUE CONTROL</b>	
-	3009380-14	.3760 - ORANGE/GRAY			<b>SPRINGS WITH COLORS</b>	
		<b>3040750 AFC</b>	-	138768	RED	
-	3040750-0	STANDARD - RED	-	138769	BLUE	
-	3040750-1	.3747 - BLUE	-	138780	GREEN	
-	3040750-2	.3748 - GREEN	-	138781	YELLOW	
-	3040750-3	.3749 - YELLOW	-	138782	RED/BLUE	
-	3040750-4	.3750 - ORANGE	-	138783	RED/GREEN	
-	3040750-5	.3751 - BLACK	-	138784	RED/YELLOW	
-	3040750-6	.3752 - GRAY	-	138785	RED/ORANGE	
-	3040750-7	.3753 - PURPLE	-	138786	BLUE/ORANGE	
			-	138787	GREEN/ORANGE	
			-	138788	YELLOW/LT BLUE	
			-	138789	RED/BLUE/BLACK	

DIPACO, Inc.

105 East Parr Boulevard, Reno, Nevada 89512 USA

www.dipaco.com ■ sales@dipaco.com

Telephone: (775) 329-7511 ■ Fax: (775) 329-9740 ■ Toll Free: (800) 648-4720 ■ Toll Free Fax: (888) 320-7761



### TORQUE CONTROL SPRINGS

REF	PART	DESCRIPTION
-	138790	RED/GREEN/BLACK
-	138791	RED/YELLOW/BLACK
-	138792	BLUE/GREEN/BLACK
-	138793	RED/PURPLE
-	138794	BLUE/WHITE/ORANGE
-	138795	GREEN/LT BLUE
-	138796	YELLOW/GRAY
-	138797	RED/BLUE/PURPLE
-	138798	RED/GREEN/PURPLE
-	138799	RED/YELLOW/PURPLE
-	138800	BLUE/GREEN/PURPLE
-	138801	BLUE/YELLOW
-	138802	GREEN/YELLOW
-	138803	RED/GRAY/LT. BLUE
-	138804	BLUE/GRAY/YELLOW
-	138805	BLUE/YELLOW
-	138993	GREEN/PINK
-	138994	YELLOW/PINK
-	138995	RED/BLUE/LT BLUE
-	138996	RED/YELLOW/LT BLUE
-	138997	BLUE/GREEN/LT BLUE
-	138998	BLUE/YELLOW/LT BLUE
-	138999	GREEN/YELLOW/LT BLUE
-	139584	BLUE/GREEN/PINK
-	139585	BLUE/YELLOW/PURPLE
-	139586	GREEN/YELLOW/PURPLE
-	139587	BLUE/YELLOW/PINK
-	139588	GREEN/YELLOW/PINK
-	142696	WHITE/BLUE/BLACK
-	142697	WHITE/YELLOW/BLACK
-	142698	WHITE/GREEN/BLACK
-	142699	WHITE/BLUE/PURPLE
-	142701	WHITE/GREEN/PURPLE
-	142703	WHITE/YELLOW/LT. BLUE
-	142704	WHITE/GREEN/LT. BLUE
-	142705	WHITE/BLUE/GRAY
-	142861	YELLOW/WHITE
-	142862	RED/BLUE/ORANGE
-	142864	WHITE/BLUE/YELLOW
-	142865	RED/WHITE/ORANGE
-	142866	BLUE/ORANGE/GREEN
-	142867	GREEN/WHITE
-	142868	YELLOW/ORANGE
-	142869	RED/BLUE/YELLOW
-	142870	RED/GREEN/YELLOW
-	3002047	WHITE/PURPLE
-	3002048	WHITE/RED/LT BLUE
-	3002049	ORANGE/PURPLE
-	3002050	ORANGE/RED/LT BLUE
-	3002051	ORANGE/BLUE/PURPLE
-	3002052	ORANGE/GREEN/PURPLE
-	3002053	WHITE/PINK
-	3002054	WHITE/RED/PURPLE
-	3002055	ORANGE/GRAY
-	3002056	ORANGE/RED/PURPLE
-	3002057	ORANGE/BLUE/PURPLE
-	3002058	ORANGE/GREEN/PINK

REF	PART	DESCRIPTION
-	3035816	PURPLE/LT BLUE/BLUE
-	3035817	PURPLE/LT BLUE/GREEN
-	3035818	PURPLE/LT BLUE/RED
-	3035819	PURPLE/LT BLUE/ORANGE
-	3035820	PURPLE/PINK/WHITE
-	3035821	PURPLE/PINK/BLUE
-	3035822	PURPLE/PINK/GREEN
-	3035823	PURPLE/PINK/RED
-	3051812	YELLOW/BLUE/RED
-	3051813	YELLOW/BLUE/GREEN
-	3051814	YELLOW/BLUE/ORANGE
-	3051815	YELLOW/BLUE/PURPLE
-	3051816	LT BLUE/BLUE/GREEN
-	3052123	RED/BLUE/YELLOW
-	3052124	RED/BLUE/WHITE
-	3053156	LT BLUE
-	3053157	ORANGE
-	3053158	PINK
-	3053159	PURPLE
-	3053160	WHITE
-	3053161	BLACK/BLUE
-	3053162	BLACK/RED
-	3053163	BLACK/LT BLUE
-	3053164	BLACK/ORANGE
-	3053165	BLACK/PINK
-	3053166	BLACK/PURPLE
-	3053167	BLACK/WHITE
-	3053168	BLACK/YELLOW
-	3053169	BLUE/GREEN
-	3053170	BLUE/GRAY
-	3053171	BLUE/LT BLUE
-	3053172	BLUE/PINK
-	3053173	BLUE/PURPLE
-	3053174	BLUE/WHITE
-	3053175	GRAY/LT BLUE
-	3053176	GRAY/RED
-	3053177	GRAY/PINK
-	3053178	GRAY/PURPLE
-	3053179	GRAY/WHITE
-	3053180	LT BLUE/ORANGE
-	3053181	LT BLUE/PINK
-	3053182	LT BLUE/PURPLE
-	3821486	LT BLUE/BLUE/WHITE
-	3821487	LT BLUE/GREEN/WHITE
-	3821488	LT BLUE/RED/WHITE
-	3821489	LT BLUE/ORANGE/WHITE
-	3821490	PINK/WHITE/WHITE
-	3821491	PINK/BLUE/WHITE
-	3821492	PINK/GREEN/WHITE
-	3821493	PINK/RED/WHITE

DIPACO, Inc.

105 East Parr Boulevard, Reno, Nevada 89512 USA

www.dipaco.com ■ sales@dipaco.com

Telephone: (775) 329-7511 ■ Fax: (775) 329-9740 ■ Toll Free: (800) 648-4720 ■ Toll Free Fax: (888) 320-7761



**DIPACO**  
**DIESEL**  
**PARTS**  
**U S A**

**INJECTOR PLUNGERS AND PLUNGER & BARREL ASSEMBLIES**

REF	PART	DESCRIPTION	REF	PART	DESCRIPTION
		<b>INJECTOR PLUNGERS</b>		<b>P &amp; B</b>	
-	AR40063	PTD 5/16 SMALL V PLUNGER From .313" to .323" .0005" increments	-	AR40063	SMALL V
-	AR40065	PTD STANDARD PLUNGER From .375" to .385" .0005" increments	-	AR73665	NON-TOP STOP, HI FLOW, SMALL V
-	3018368	PTD TOP STOP PLUNGER From .375" to .385" .0005" increments	-	3018322	NON-TOP STOP, LOW FLOW
-	C3018368	PTD TOP STOP CHROME PLUNGER From .375" to .385" .0005" increments	-	3018324	NON-TOP STOP, HI FLOW
-	K3018368	PTD-K PLUNGER From .375" to .385" .0005" increments	-	3018325	NON-TOP STOP, HI FLOW
-	L3018368	L-10 PLUNGER From .375" to .385" .0005" increments	-	3018366	HIGH FLOW, NON-TOP STOP
			-	3018368	TOP STOP, HI FLOW, NON STC
			-	3018586	TOP STOP, DIRECT FEED, HI FLOW
			-	3018587	TOP STOP, DIRECT FEED, HI FLOW
			-	3018588	NON-TOP STOP, DIRECT FEED
			-	3018779	TOP STOP, DIRECT FEED, HI FLOW
			-	3022968	TOP STOP, HI FLOW
			-	3037292	NON-TOP STOP, DIRECT FEED, K ENG.
			-	3047963	TOP STOP, DIRECT FEED
			-	3047964	NON-TOP STOP, DIRECT FEED
			-	3049996	TOP STOP, DIRECT FEED
			-	3052222	STC, DIRECT FEED
			-	3054532	NON-TOP STOP, DIRECT FEED, HI FLOW
			-	3054533	TOP STOP, DIRECT FEED
			-	3058848	NON-TOP STOP, DIRECT FEED, RDF
			-	3065348	STC, TOP STOP, DIRECT FEED
			-	3069707	STC, DIRECT FEED
			-	3069718	STC, DIRECT FEED
			-	3069758	STC, TOP STOP
			-	3069766	STC, TOP STOP

DIPACO, Inc.

105 East Parr Boulevard, Reno, Nevada 89512 USA

www.dipaco.com ■ sales@dipaco.com

Telephone: (775) 329-7511 ■ Fax: (775) 329-9740 ■ Toll Free: (800) 648-4720 ■ Toll Free Fax: (888) 320-7761



**INJECTOR CUPS**

REF	PART	DESCRIPTION	SIZE
-	BM28818	SMALL SCREW ON C, J	7-.007x18°
-	BM28826	LARGE SCREW ON	7-.007x21°
-	BM32321	SMALL SCREW ON C, J	7-.006x18°
-	BM54732	SMALL SCREW ON C, J	7-.006x16°
-	BM68672	LARGE SCREW ON	8-.0065x18°
-	BM70194	SMALL SCREW ON C, J	8-.006x14°
-	3001314	PTD K	10-.0085x10°
-	3003929	PTD V	7-.0075x4°
-	3003930	PTD V	7-.008x4°
-	3003931	PTD V	7-.0075x6°
-	3003932	PTD K	9-.0085x7°
-	3003933	PTD K	9-.0085x10°
-	3004054	PTD V	9-.007x6°
-	3005963	PTD K	10-.0075x10°
-	3006540	PTD V	8-.006x2°
-	3006543	PTD V	9-.0065x2°
-	3012535	PTD NH, HT, V12	8-.007x18°
-	3012535H	PTD NH, HT, V12	8-.007x18°
-	3012536	PTD NH, HT, V12	8-.008x18°
-	3012536H	PTD NH, HT, V12	8-.008x18°
-	3012537	PTD NH, HT, V12	8-.0065x18°
-	3012537H	PTD NH, HT, V12	8-.0065x18°
-	3012538	PTD NH, NT, V12	9-.008x18°
-	3012538H	PTD NH, HT, V12	9-.008x18°
-	3018777	PTD NH, L10	10-.0065x12°
-	3018813	PTD NH, NT, V12	10-.0065x18°
-	3018814	PTD NH, NT, V12	10-.007x18°
-	3018860	PTD	7-.007x17°
-	3018861	PTD	7-.006x21°
-	3018862	PTD	8-.009x18°
-	3018863	PTD	7-.007x21°
-	3022154	PTD V903	8-.006x4°
-	3023556	PTD NH, NT, V12	9-.0085x18°
-	3023556H	PTD NH, NT, V12	9-.0085x18°
-	3024148	PTD NH, NT, V12	9-.009x18°
-	3028068	PTD L10	9-.007x10°
-	3052229	PTD STC	8-.0093x18°
-	3052522	PTD STC	8-.008x18°
-	3052630	PTD NH, NT, STC	8-.009x18°
-	3053742	PTD NH, NT	9-.0086x18°
-	3056341	L10	10-.006x10°
-	3059423	PTD K	8-.007x14°
-	3059399	PTD, NH	8-.008x18°
-	3063227	STC	8-.007x14°
-	3064252	STC	9-.007x14°
-	3068895	STC, NH, NT	8-.0078x14°
-	3069756	L10	10-.006x10°
-	3069764	NH, NT 855	8-.007x14°
-	3070615	PTD STC	8-.0065x18°
-	3071046	PTD NH, NT, V	7-.0073x14°
-	3073570	STC NH, NT	8-.0072x17°
-	3073575	PTD NH, NT	8-.0076x17°
-	3073753	PTD L-10	9-.0072x10°
-	3074253	L10	8-.0072x14°
-	3074255	L10	8-.0068x14°
-	3202078	PTD L10	8-.006x10°
-	3275265	PTD SMALL V	7-.0055x4°

REF	PART	DESCRIPTION	SIZE
-	3275266	PTD SMALL V	7-.006x4°
-	3275267	PTD SMALL V	7-.006x3°
-	3275417	PTD SMALL V	7-.0055x6°
-	3278446	PTD L-10	9-.006x10°
		H=HARDENED*	
		*DIPACO offers several cups in hardened steel. Our normal cups have a hardness of Rockwell C30. The hardened cups, which have a Rockwell C45 hardness rating, offer more erosion resistance and provide longer life.	

DIPACO, Inc.

105 East Parr Boulevard, Reno, Nevada 89512 USA

www.dipaco.com ■ sales@dipaco.com

Telephone: (775) 329-7511 ■ Fax: (775) 329-9740 ■ Toll Free: (800) 648-4720 ■ Toll Free Fax: (888) 320-7761





**DIPACO**  
**DIESEL**  
**PARTS**  
**U S A**

**INJECTOR ORIFICES**

PART	DESCRIPTION	QTY	PART	DESCRIPTION	QTY
	<b>BUTTON HEAD ORIFICE</b>				
- 3044990	.015" OPENING				
- 3044991	.016" OPENING				
- 3044992	.017" OPENING				
- 3044993	.018" OPENING				
- 3044994	.019" OPENING				
- 3044995	.020" OPENING				
- 3044996	.021" OPENING				
- 3044997	.022" OPENING				
- 3044998	.023" OPENING				
- 3044999	.024" OPENING				
- 3045000	.025" OPENING				
- 3045001	.026" OPENING				
- 3045002	.027" OPENING				
- 3045003	.028" OPENING				
- 3045004	.029" OPENING				
- 3045005	.030" OPENING				
- 3045006	.031" OPENING				
- 3045007	.032" OPENING				
- 3045008	.033" OPENING				
- 3045009	.034" OPENING				
- 3045010	.035" OPENING				
- 3045011	.036" OPENING				
- 3045012	.037" OPENING				
- 3045013	.038" OPENING				
- 3045014	.039" OPENING				
- 3045015	.040" OPENING				
- 3045016	.041" OPENING				
- 3045017	.042" OPENING				
- 3045018	.043" OPENING				
- 3045019	.044" OPENING				
- 3045020	.045" OPENING				
- 3045021	.046" OPENING				
- 3045022	.047" OPENING				
- 3045023	.048" OPENING				
- 3045024	.049" OPENING				
- 3045025	.050" OPENING				
- 3045026	.051" OPENING				
- 3045027	.052" OPENING				
- 3045028	.053" OPENING				
- 3045029	.054" OPENING				
- 3045030	.055" OPENING				
- 3045031	.056" OPENING				
- 3045032	.057" OPENING				
- 3045033	.058" OPENING				
- 3045034	.059" OPENING				
- 3045035	.060" OPENING				
- 3045036	.061" OPENING				
- 3045037	.062" OPENING				
- 3045038	.063" OPENING				
- 3045039	.064" OPENING				
- 3045040	.065" OPENING				
- 3045041	.066" OPENING				
- 3045042	.067" OPENING				
- 3045043	.068" OPENING				
- 3045044	.069" OPENING				
- 3045045	.070" OPENING				

DIPACO, Inc.

105 East Parr Boulevard, Reno, Nevada 89512 USA

www.dipaco.com ■ sales@dipaco.com

Telephone: (775) 329-7511 ■ Fax: (775) 329-9740 ■ Toll Free: (800) 648-4720 ■ Toll Free Fax: (888) 320-7761





**STC VALVE AND CELECT™ FUEL SYSTEM**

	PART	DESCRIPTION	QTY		PART	DESCRIPTION	QTY
	<b>3803282</b>	<b>STC REPAIR KIT</b>			<b>3803478</b>	<b>CELECT™ SERVICE REPAIR KIT (FITS 3074318 AND 3070149 SUPPORT)</b>	
-	3045986	SEAL, O RING	1	-	3803477	SEAL KIT	1
-	3066914	SEAL, O RING	1	-	3069017	GASKET, GEAR PUMP MOUNTING	1
-	3042542	SEAL, O RING	2	-	146483	FILTER SCREEN	1
-	3034408	SEAL, O RING	1	-	110855	GASKET, GEAR PUMP	1
-	8078	WASHER, PLAIN	1	-	3069103	GASKET, FUEL PUMP MOUNT	1
-	3073998	DISC VALVE	1	-	139988	SQUARE CUT O RING	1
-	3054407	DIAPHRAGM	1	-	202897	DIAPHRAGM, DAMPER	1
-	3070108	GASKET	1	-	129888	SQUARE CUT O RING	1
-	3070186	WASHER, PLAIN	1	-	100099	SQUARE CUT O RING	1
-	70446	SCREW, HEXHEAD CAP	1	-	160514	WASHER	1
-	3069998	SEAL, WASHER	1	-	213079	SQUARE CUT O RING	1
-	3051069	SPRING, COMPRESSION	1	-	151900	SQUARE CUT O RING	1
-	3054526	SPRING, COMPRESSION	1	-	3037537	O RING	1
-	3056072	SPRING, COMPRESSION	1	-	3056415	O RING	1
-	3056073	SPRING, COMPRESSION	1	-	3034412	O RING	1
-	3003156	WIRE, SEAL	1	-	3021123	O RING	1
-	3034412	SEAL, O RING	1				
-	3036666	SEAL, O RING	3				
-	3037537	SEAL, O RING	2				
-	3046201	SEAL, O RING	2				

DIPACO, Inc.

105 East Parr Boulevard, Reno, Nevada 89512 USA

www.dipaco.com ■ sales@dipaco.com

Telephone: (775) 329-7511 ■ Fax: (775) 329-9740 ■ Toll Free: (800) 648-4720 ■ Toll Free Fax: (888) 320-7761



**DIPACO**  
**DIESEL**  
**PARTS**  
**U S A**

**DIPACO FUEL PUMP OVERHAUL SETS**

**PTG GASKET AND OVERHAUL SETS**

IN ADDITION TO DIPACO'S COMPLETE GASKET KIT ASSORTMENT YOU CAN SPECIALIZE YOUR PTG GASKET KIT REQUIREMENTS. USE THE LAST COLUMN MARKED "SPECIAL" AND ADD THE PARTS YOU REQUIRE IN ADDITION TO THE ITEMS IN <b>BOLD</b> PRINT, WHICH ARE INCLUDED IN ALL DIPACO PTG GASKET KITS. FAX DIPACO FOR YOUR QUOTATION, 25 KIT MINIMUM.		DPE10020S	DPE10023	DPE10023S	DBM68356	DBM68356K	DBM68356KW	D3010240	DPE10020	DPE10025	SPECIAL
D43696A	<b>SIDE PLUG O RING</b>	1	1	1	1	1	1	1	1	1	1
D70415	<b>O RING</b>	1	1	1	1	1	1	3	1	3	1
D70705	<b>GOVERNOR HOUSING GASKET</b>	1	1	1	1	1	1	1	1	2	1
D70732	<b>TACH HOUSING GASKET</b>	1	1	1	1	1	1	1	1	1	1
D70809	<b>TACH SHAFT SEAL</b>	1	1	1	1	1	1	1	1	1	1
D100099	<b>DAMPER O RING</b>	1	1	1	1	1	1	1	1	1	1
D100478	<b>THROTTLE SHAFT O RING</b>	1	1	1	1	1	1	1	1	1	1
D100764	<b>FRONT HOUSING GASKET</b>	1	1	1	1	1	1	1	1	1	1
D110855	<b>GEAR PUMP BODY TO COVER GASKET</b>	1	1	1	1	1	1	1	1	1	1
D114791	<b>VITON O RING</b>	1	1	1	1	1	1	1	1	1	1
D129888	<b>SHUT DOWN VALVE O RING</b>	1	1	1	1	1	1	1	1	1	1
D139988	<b>DAMPER SEAL RING</b>	1	1	1	1	1	1	1	1	1	1
D151900	<b>SQUARE CUT O RING</b>	1	1	1	1	1	1	1	1	1	1
D154087	<b>SHUT DOWN VALVE SQUARE CUT O RING</b>	1	1	1	1	1	1	1	1	2	1
D154088	<b>FILTER CAP SQUARE CUT O RING</b>	1	1	1	1	1	1	1	1	1	1
D160514	<b>NYLON SHUT DOWN VALVE GASKET</b>	1	1	1	1	1	1	1	1	1	1
D163945	<b>SNAP RING</b>	1	1	1	1	1	1	1	1	1	1
D210218	<b>TACH SHAFT FELT</b>	1	1	1	1	1	1	1	1	1	1
D3002481	<b>VITON O RING</b>	1	1	1	1	1	1	1	1	1	1
D3003156	<b>LEAD WIRE SEAL</b>	1	1	1	1	1	1	1	1	1	1
D3046201	<b>O RING</b>	2	2	2	2	2	2	1	2	2	2
D3066914	<b>O RING</b>	1	1	1	1	1	1	1	1	1	1
D3069017	<b>GEAR PUMP MOUNT GASKET</b>	1	1	1	1	1	1	1	1	1	1
D3069103	<b>PUMP MOUNT GASKET</b>	1	1	1	1	1	1	1	1	1	1
D104038	<b>DOUBLE LIP MAIN SHAFT SEAL</b>		2	2			2	2			
D3009625	<b>METAL CASE MAIN SHAFT SEAL</b>										
D3062676	<b>GREEN COATED MAIN SHAFT SEAL</b>	2			2	2			2	2	
DS1650	MAIN SHAFT BEARING	1	1	1					1	1	
DS2286	NAMEPLATE MOUNTING SCREW	2	2	2		2	2		2	2	
D68174	COMPRESSOR KEY	1	1	1					1	1	
D70690	GOVERNOR PLUNGER T DRIVER	1		1							
D70690C	GOVERNOR PLUNGER CYLINDRICAL DRIVER										
D70723	TACH SHAFT BUSHING	1	1	1					1	1	
D70771	SEAL							1			
D70812	VS BRASS BUSHING									2	
D70813	SETSCREW										
D70815	SEAL							1			
D100192	MAIN SHAFT	1	1	1					1	1	
D102030	O RING							1			
D104087	TACH SHAFT	1	1	1					1	1	
D105375	NAME PLATE	1		1		1	1	1	1	1	
D106943	SEAL									1	
D126333	O RING							1			
D129768	SHUT DOWN VALVE SPRING										
D129839	SHUT DOWN VALVE SHIELD										

DIPACO, Inc.

105 East Parr Boulevard, Reno, Nevada 89512 USA

www.dipaco.com ■ sales@dipaco.com

Telephone: (775) 329-7511 ■ Fax: (775) 329-9740 ■ Toll Free: (800) 648-4720 ■ Toll Free Fax: (888) 320-7761



**DIPACO FUEL PUMP OVERHAUL SETS**

**PTG GASKET AND OVERHAUL SETS**

		DPE10020S	DPE10023	DPE10023S	DBM68356	DBM68356K	DBM68356KW	D3010240	DPE10020	DPE10025	SPECIAL
D137808	FILTER SCREEN										
D144302	GOVERNOR PLUNGER SPACER	1		1						1	
D145501	O RING						1				
D145544	O RING									1	
D146483	FILTER SCREEN	1	1	1		1	1		1		
D147901	FILTER CAP									1	
D148977	THROTTLE SHAFT COVER	1	1	1		1	1		1	1	
D149767	FILTER WITH MAGNET										
D154086	SQUARE CUT O RING									1	
D162426	BLACK SPIDER	1	1	1		1	1		1	1	
D172049	O RING						1				
D175836	CHECK VALVE ELBOW										
D193734	O RING										
D200998	VS GASKET									1	
D213079	O RING									1	
D213769	STEEL THROTTLE SHAFT BALL	1		1							
D213769N	NYLON THROTTLE SHAFT BALL										
D3010941	VS STEEL BUSHING										
D3010942	VS SHAFT, LONG									1	
D3018682	CAPSCREW										
D3027633	GOVERNOR PLUNGER THRUST WASHER	1		1							
D3030970	FUEL SHUT DOWN VALVE	1	1	1					1	1	
D3033740	GEAR PUMP CHECK VALVE										
D3040817	O RING, VITON										
D3045986	O RING										
D3046200	NYLON DRIVE SPIDER										
D3076040	THROTTLE SHAFT ADJUSTING SCREW										



DIPACO, Inc.

105 East Parr Boulevard, Reno, Nevada 89512 USA

www.dipaco.com ■ sales@dipaco.com

Telephone: (775) 329-7511 ■ Fax: (775) 329-9740 ■ Toll Free: (800) 648-4720 ■ Toll Free Fax: (888) 320-7761



**DIPACO**  
**DIESEL**  
**PARTS**  
**U S A**

## DIPACO FUEL PUMP OVERHAUL SETS

### AFC GASKET AND OVERHAUL SETS

IN ADDITION TO DIPACO'S COMPLETE GASKET KIT ASSORTMENT YOU CAN SPECIALIZE YOUR AFC GASKET KIT REQUIREMENTS. USE THE LAST COLUMN MARKED "SPECIAL" AND ADD THE PARTS YOU REQUIRE IN ADDITION TO THE ITEMS IN <b>BOLD PRINT</b> , WHICH ARE INCLUDED IN ALL DIPACO AFC GASKET KITS. FAX DIPACO FOR YOUR QUOTATION, 25 KIT MINIMUM.		D300412Z	D301024Z	D3010242K	D3010242M	D3010242MK	D3010242VS	DPE10030	DPE10030S	DPE10035	DPE10035S	SPECIAL
D43696A	O RING	1	1	1	1	1	1	1	1	1	1	1
D68061A	O RING	2	2	2	2	2	2	2	2	2	2	2
D70415	VITON O RING	2	2	2	2	2	2	2	2	2	2	2
D70705	GOVERNOR HOUSING GASKET	1	1	1	1	1	2	1	1	1	1	1
D100099	DAMPER O RING	1	1	1	1	1	1	1	1	1	1	1
D100478	THROTTLE SHAFT O RING	1	1	1	1	1	1	1	1	1	1	1
D100764	FRONT HOUSING GASKET	1	1	1	1	1	1	1	1	1	1	1
D110855	GEAR PUMP BODY TO COVER GASKET	1	1	1	1	1	1	1	1	1	1	1
D114791	VITON O RING	1	1	1	1	1	1	1	1	1	1	1
D129888	SHUT DOWN VALVE O RING	1	1	1	1	1	1	1	1	1	1	1
D139988	DAMPER O RING	1	1	1	1	1	1	1	1	1	1	1
D151900	SQUARE CUT O RING	1	1	1	1	1	1	1	1	1	1	1
D154087	SHUT DOWN VALVE SQUARE CUT O RING	1	1	1	1	1	1	1	1	1	1	1
D154088	FILTER CAP SQUARE CUT O RING	1	1	1	1	1	1	1	1	1	1	1
D160514	NYLON SHUT DOWN VALVE GASKET	1	1	1	1	1	1	1	1	1	1	1
D163945	SNAP RING	1	1	1	1	1	1	1	1	1	1	1
D172049	O RING	1	1	1	1	1	1	1	1	1	1	1
D212603	SEAL	1	1	1	1	1	1	1	1	1	1	1
D213079	O RING	1	1	1	1	1	1	1	1	1	1	1
D213768	O RING	1	1	1	1	1	1	1	1	1	1	1
D3002481	VITON O RING	1	1	1	1	1	1	1	1	1	1	1
D3003156	LEAD WIRE SEAL	2	2	2	2	2	2	2	2	2	2	2
D3018682	CAPSCREW	1	1	1	1	1	1	1	1	1	1	1
D3023870	GASKET	1	1	1	1	1	1	1	1	1	1	1
D3042542	VITON O RING WITH WHITE STRIPE	1	1	1	1	1	1	1	1	1	1	1
D3044942	SEAL RING	1	1	1	1	1	1	1	1	1	1	1
D3045986	VITON O RING WITH GREEN STRIPE	1	1	1	1	1	1	1	1	1	1	1
D3066914	O RING	2	1	1	1	1	1	1	1	1	1	1
D3069017	PUMP MOUNT GASKET	1	1	1	1	1	1	1	1	1	1	1
D3069103	PUMP MOUNT GASKET	1	1	1	1	1	1	1	1	1	1	1
D104038	DOUBLE LIP MAIN SHAFT SEAL											
D3009625	METAL CASE MAIN SHAFT SEAL				2	2				2	2	
D3062676	GREEN COATED MAIN SHAFT SEAL	2	2	2			2	2	2			
DS2286	DRIVER SCREW				2	2		2	2			
DS16052	MAIN SHAFT BEARING							1	1	1	1	
D70690	GOVERNOR PLUNGER T DRIVER								1		1	
D70690C	GOVERNOR PLUNGER CYLINDRICAL DRIVER											
D70813	SETSCREW											
D70815	SEAL											
D105375	NAME PLATE			1	1	1		1	1	1	1	
D129768	SHUT DOWN VALVE SPRING											
D129839	SHUT DOWN VALVE SHIELD											
D144302	SPACER								1		1	
D145544	O RING											

DIPACO, Inc.

105 East Parr Boulevard, Reno, Nevada 89512 USA

www.dipaco.com ■ sales@dipaco.com

Telephone: (775) 329-7511 ■ Fax: (775) 329-9740 ■ Toll Free: (800) 648-4720 ■ Toll Free Fax: (888) 320-7761



**DIPACO FUEL PUMP OVERHAUL SETS**

**AFC GASKET AND OVERHAUL SETS**

		D3004122	D3010242	D3010242K	D3010242M	D3010242MK	D3010242VS	DPE10030	DPE10030S	DPE10035	DPE10035S	SPECIAL
D146483	FILTER SCREEN							1	1	1	1	
D147901	FILTER CAP											
D148977	THROTTLE SHAFT COVER											
D149767	FILTER WITH MAGNET											
D154086	SQUARE CUT O RING											
D157088	FILTER CAP											
D162426	BLACK DRIVE SPIDER			1		1		1	1	1	1	
D163945	SNAP RING											
D172049	O RING											
D175836	CHECK VALVE ELBOW											
D193734	O RING											
D200998	VS GASKET						1					
D202897	DIAPHRAGM											
D212601	MAIN SHAFT							1	1	1	1	
D212607	TACH SHAFT							1	1	1	1	
D212609	BUSHING							1	1	1	1	
D212668	KEY							1	1	1	1	
D213079	O RING											
D213769	STEEL THROTTLE SHAFT BALL			1		1		1	1	1	1	
D213769N	NYLON THROTTLE SHAFT BALL											
D3000446	PT FUEL PUMP COVER			1		1		1	1	1	1	
D3002481	O RING											
D3010941	VS STEEL BUSHING											
D3010942	SHORT SHAFT											
D3010943	LONG SHAFT											
D3013811	BLACK DIAPHRAGM			1		1		1				
D3013811S	SILICONE DIAPHRAGM								1		1	
D3027633	GOVERNOR PLUNGER THRUST WASHER								1		1	
D3030970	FUEL SHUT DOWN VALVE							1	1	1	1	
D3033740	GEAR PUMP CHECK VALVE											
D3040815	TACH DRIVE PLUG											
D3040817	VITON O RING			1		1		1	1	1	1	
D3044942	SEAL RING											
D3045986	O RING, VITON											
D3046200	NYLON DRIVE SPIDER											
D3063052	FRONT HOUSING GASKET											
D3066914	O RING, VITON											
D3075523	MAIN SHAFT SEAL											
D3076040	TACH SHAFT ADJUSTING SCREW											
DPE30200	PT FUEL PUMP COVER DECAL							1	1			

DIPACO, Inc.

105 East Parr Boulevard, Reno, Nevada 89512 USA

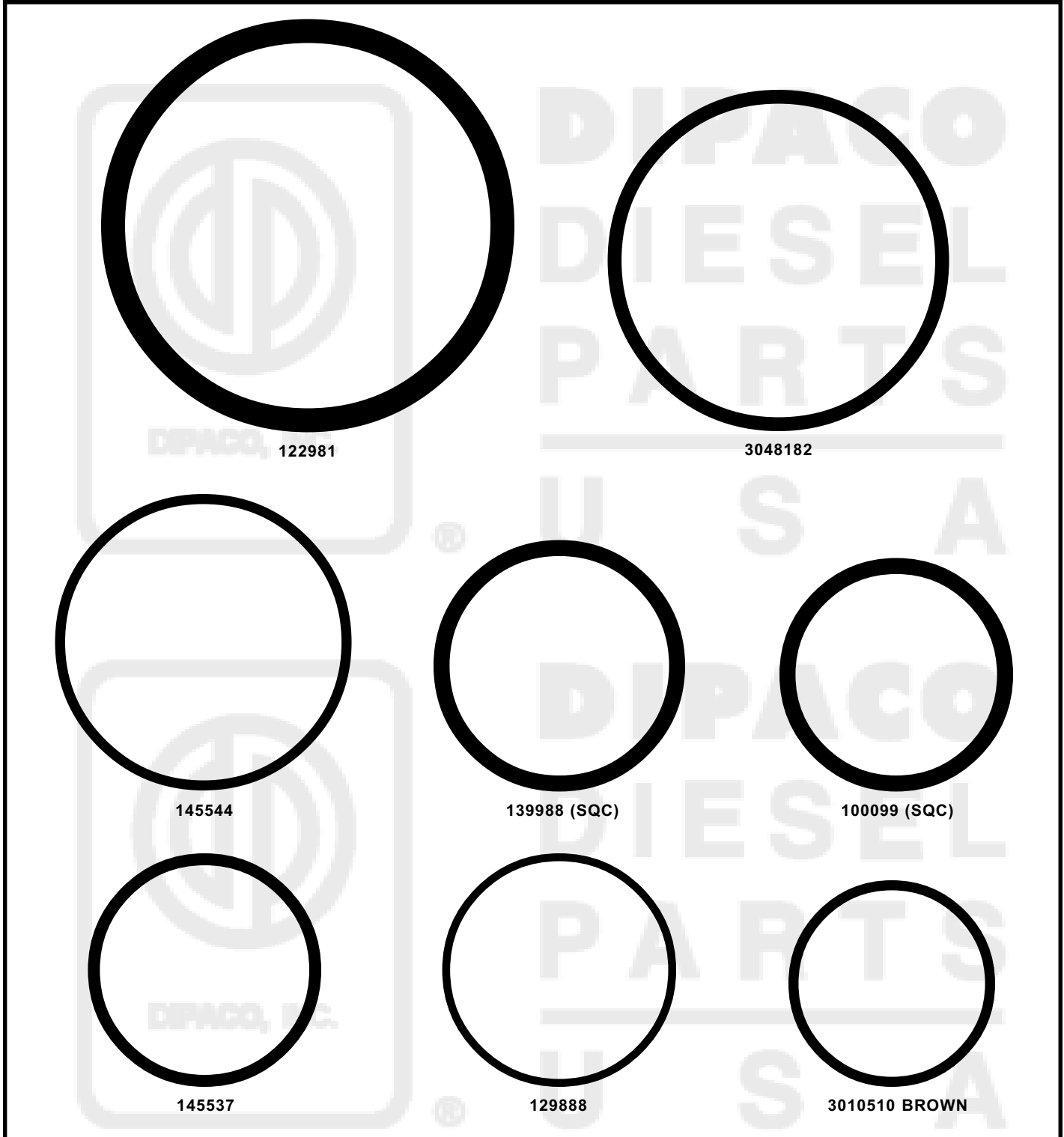
www.dipaco.com ■ sales@dipaco.com

Telephone: (775) 329-7511 ■ Fax: (775) 329-9740 ■ Toll Free: (800) 648-4720 ■ Toll Free Fax: (888) 320-7761



**DIPACO**  
**DIESEL**  
**PARTS**  
**U S A**

### O RING IDENTIFICATION



DIPACO, 122981

3048182

145544

139988 (SQC)

100099 (SQC)

145537

129888

3010510 BROWN

DIPACO, Inc.

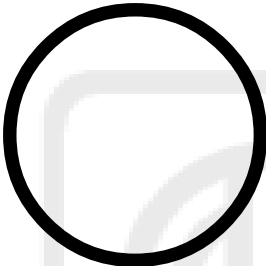
105 East Parr Boulevard, Reno, Nevada 89512 USA

www.dipaco.com ■ sales@dipaco.com

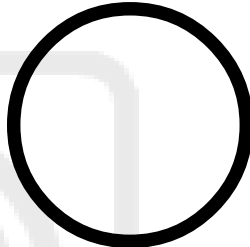
Telephone: (775) 329-7511 ■ Fax: (775) 329-9740 ■ Toll Free: (800) 648-4720 ■ Toll Free Fax: (888) 320-7761



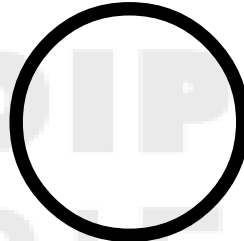
### O RING IDENTIFICATION



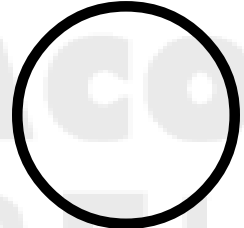
205216 (V), 3070136 RED



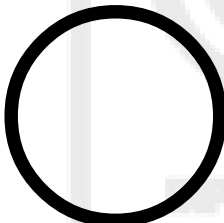
3070137 WHITE



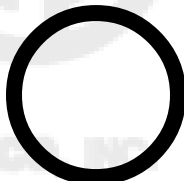
193736 BROWN (V),  
101754, 3070138 BLUE



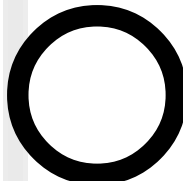
154088 (SQC)



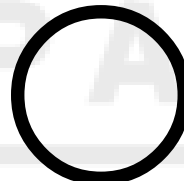
3034408



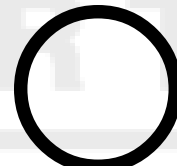
43696A,  
193735 (V)



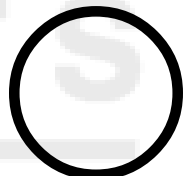
3040817 (V)



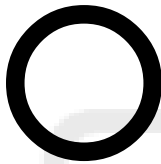
213079 (SQC),  
3042542 BROWN (V)



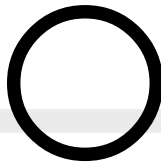
3066914 BROWN (V)



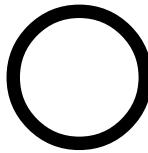
3044942



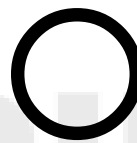
172049



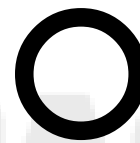
193734,  
3045986 BROWN (V)



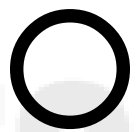
102827  
154087 (SQC)



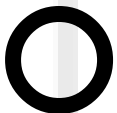
126333



70861 (V)



102030 (V),  
151900 (SQC),  
3037537



70415 (V)



145501



100478 (V),  
154086 (SQC),  
3036666



3034412



68061A (V),  
3056415



190876,  
3002481 (V)



114791



213768 (V)

(SQC) = SQUARE CUT O RING

(V) = VITON

DIPACO, Inc.

105 East Parr Boulevard, Reno, Nevada 89512 USA

www.dipaco.com ■ sales@dipaco.com

Telephone: (775) 329-7511 ■ Fax: (775) 329-9740 ■ Toll Free: (800) 648-4720 ■ Toll Free Fax: (888) 320-7761



**DIPACO**  
**DIESEL**  
**PARTS**  
**U S A**

## PUMP TORQUE SPECIFICATIONS

COMPONENT	TORQUE VALUES		COMPONENT	TORQUE VALUE	
	IN./LB	(NEWTON/ METERS)			
<b>AIR FUEL CONTROL</b>			Straight Thread O-Ring		
AFC Cover Capscrew (Fillister 1/4-20 x 1)	30	(3.4)	Male Union (9/16-18)	120	(13.5)
AFC Piston Bellows Nuts	30	(3.4)	Straight Thread O-Ring	120	(13.5)
AFC Jam Nut (1/4-28)	30	(3.4)	Male Union (3/4-16)	120	(13.5)
Jam Nut No AFC (5/16-24)	30	(3.4)	Hex Head Capscrew (Unless specified otherwise)	120	(13.5)
AFC Dual Spring Jam Nut (P/N 3051461 10-32)	30	(3.4)	Capscrews TMD & MVS	204	(23.0)
AFC Adj Screw Jam Nut (P/N 3069015 1/4-28)	50	(5.6)	Governor (3/16-24)	204	(23.0)
Hydraulic ASA Valve Assy.	84	(9.5)	Fuel Strainer Cap	204	(23.0)
AFC Check Valves	120	(13.5)	MVS Governor	204	(23.0)
<b>FUEL PUMP HOUSING</b>			Pressure Regulator Cap		
Throttle Leakage Screw	30	(3.4)	<b>GEAR PUMP</b>		
Acorn Nuts, Throttle Travel Screw, VS Throttle Housings			Gear Pump Cooling Kit Jam Nut	84	(9.5)
Throttle Lever Screw (P/N 70208 Fillister 10-32)	30	(3.4)	Gear Pump Socket Head Capscrews	120	(13.5)
EFC Gov Hex Head Screws (1/4-20 x 1 1/8)	54	(6.1)	Gear Pump Inlet Fitting and Jam Nuts	204	(23.0)
Throttle Shaft Set Screws, VS	54	(6.1)	PTR Fuel Overflow Outlet	204	(13.5)
Throttle Shaft Set Screws, Auto	84	(9.5)	<b>PIPE PLUGS</b>		
Throttle Adj Screw Jam Nut (1/4-28 except VS)	84	(9.5)	1/8" with Coated Dry Sealant (Excluding SOV)	54	(6.1)
Tach Adapter Screws (PTR & Old PTG)	64	(6.1)	1/6" in Aluminum Oiled	54	(6.1)
VS Gov Barrel Retaining Setscrew	84	(9.5)	1/8" Uncoated (Excluding SOV)	84	(9.5)
Fuel Strainer Caps, Auto	120	(13.5)	1/4" with Greased Threads	204	(23.0)
Injector Orifice Plug (Century and Pacer EFC)	10	(1.1)	<b>SHUTDOWN VALVE</b>		
<b>FRONT COVER</b>			Capscrew (10-24 Fillister)		
VS Front Cover Capscrews (P/N 3028868 10-24 x 1 1/4)	30	(3.4)	1/8" Pipe Plug	84	(9.5)
Front Cover Capscrews (P/N S188C 1/4-20 x 5/8)	54	(6.1)	1/4" Pipe Plug Coated	84	(9.5)
Front Cover Allen Head Screws (10-24 x 1 1/4)	54	(6.1)	Socket Head Capscrew (1/4-20)	120	(13.5)
Drive Coupling Capscrew (AFC W/Tach in Cover)	54	(6.1)	<b>STC VALVE</b>		
Drive Coupling Capscrews (PTR and PTG)	84	(9.5)	Hex Head Capscrew (P/N 70446 1/4-20)	30	(3.4)
Front Cover Capscrew w/Nylon Seal	120	(13.5)	Straight Thread Elbows and Tees (Oiled 9/16-18)	204	(23.0)
Front Cover Tach Adapter	204	(23.0)	Straight Thread Elbows and Tees (Oiled 3/4-16)	204	(23.0)
VS Throttle Housing with Self Sealing Jam Nut	204	(23.0)	<b>General</b>		
Capscrew, Housing to Cover (P/N S171C and 70790, 1/4-20)			54 (6.1)		
Straight Thread O-Ring (5/16-24)			54 (6.1)		
Straight Thread O-Ring (3/8-24)			54 (6.1)		
Straight Thread O-Ring (7/16-20)			84 (9.5)		
Straight Thread O-Ring (1/2-20)			84 (9.5)		

DIPACO, Inc.

105 East Parr Boulevard, Reno, Nevada 89512 USA

www.dipaco.com ■ sales@dipaco.com

Telephone: (775) 329-7511 ■ Fax: (775) 329-9740 ■ Toll Free: (800) 648-4720 ■ Toll Free Fax: (888) 320-7761

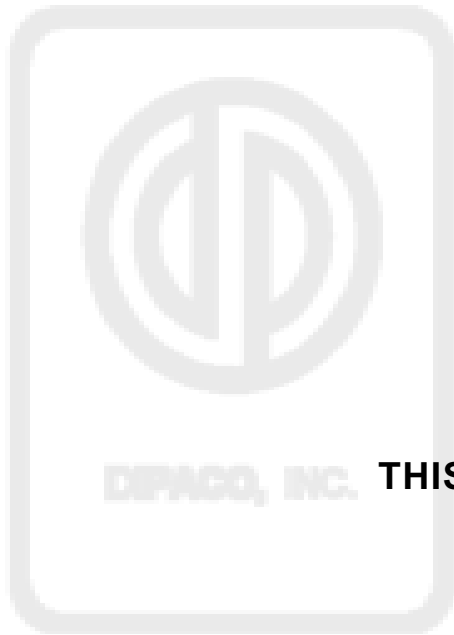




**DIPACO**  
**DIESEL**  
**PARTS**  

---

**U S A**



**DIPACO**  
**DIESEL**  
**PARTS**  

---

**U S A**

**THIS PAGE LEFT BLANK**



**DIPACO**  
**DIESEL**  
**PARTS**  

---

**U S A**



## NEW CUMMINS FRONT COVER AND MAIN SHAFT SEAL

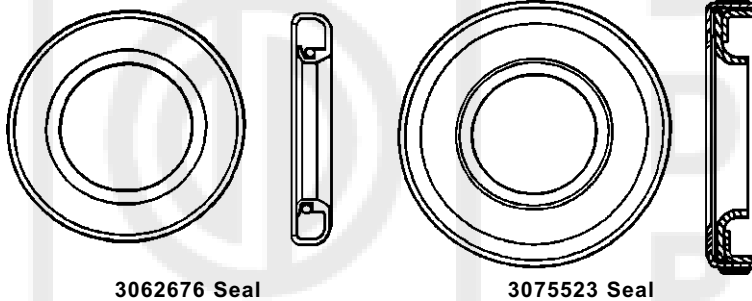
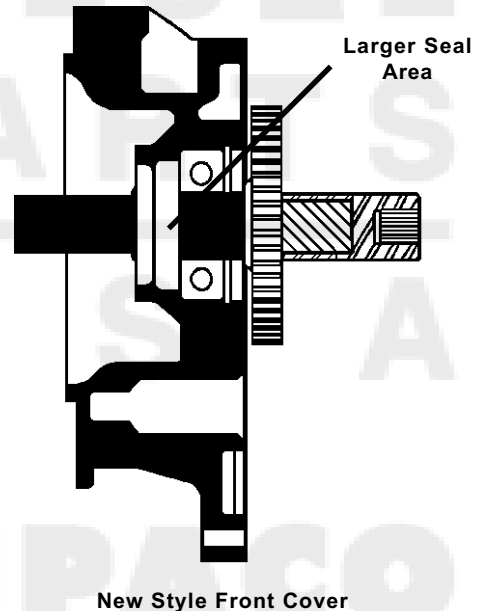
Cummins has introduced fuel pump front covers with a new design along with a design change in the main shaft seal.

There are four new front cover housings covering automotive, VS, Pacer heavy automotive, and heavy VS applications. The difference between the old and new covers is the seal bore, on the fuel side of the cover, has been enlarged and modified to accommodate a larger main shaft seal. The chart on the left shows old and new front cover part numbers. Older style front covers can continue to be used. DIPACO has available both automotive AFC front covers, part numbers **D3063054** and **D3075524**.

TYPE	OLD COVER	NEW COVER
AUTO	3063054	3075524
VS	3063055	3075525
PACER	3064254	3045526
HVY VS	3279048	3079939

The drawing on the right shows a front cover with the enlarged seal area on the fuel side and the normal seal area on the oil side.

The change in the front cover design was driven by the design of the new main shaft seal, part number 3075523. The new seal has a teflon lip and a larger, rubber coated, outside diameter. The teflon lip is used instead of the usual rubber lip to reduce leaks between the seal and the main shaft. It also reduces shaft wear caused by the low lubricity of diesel fuel, as compared to engine lubricating oil. The rubber coating on the outside diameter should reduce leakage between the housing and the seal. DIPACO also has this seal available, part number **D3075523**.



The **D3075523** seal replaces the **D3062676** seal **ONLY** on the fuel side of the main shaft. The **D3062676** seal **WILL** continue to be used on the oil side of the main shaft.

The new front cover and seal can be used on any AFC fuel pump, not just as a direct replacement. The new cover design should eliminate the problem of seals walking out of the cover due to air compressor problems and other factors.

There are special tools to use and instructions to follow when installing and removing the seal. Failure to follow the instructions will result in seal failure and potential damage to the front cover. The procedure for installing the seal is on the following page. Cummins Service Topic 92T5-26 includes the complete procedure for rebuilding the front cover assembly.

DIPACO, Inc.

105 East Parr Boulevard, Reno, Nevada 89512 USA

www.dipaco.com ■ sales@dipaco.com

Telephone: (775) 329-7511 ■ Fax: (775) 329-9740 ■ Toll Free: (800) 648-4720 ■ Toll Free Fax: (888) 320-7761



## NEW CUMMINS FRONT COVER AND MAIN SHAFT SEAL

### D3075523 MAIN SHAFT SEAL INSTALLATION INSTRUCTIONS

**Very Important: Do Not Remove the support tube from the New Seal (FIGURE 1).**

The rubber outside diameter of the seal must be lubricated with a thin film of diesel fuel or calibration fluid (Figure 1). Do Not use any other type of lubricant and Do Not lubricate any other part of the seal.

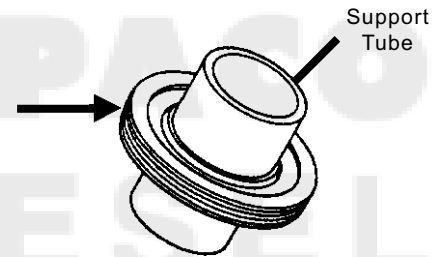


Figure 1

Without removing the support tube from the seal, place the seal into the insertion tool, Cummins part number 3824225. The lip of the seal must be facing toward the insertion tool (Figure 2). Press the seal fully into the fuel side of the front cover.

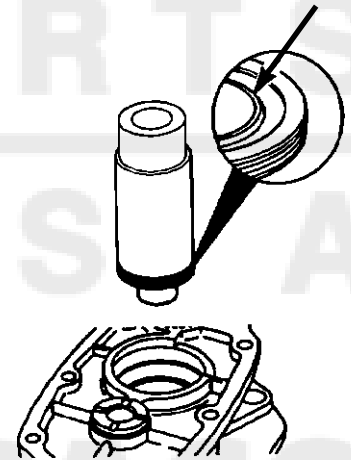


Figure 2

When ready to insert the drive shaft assembly, remove the support tube from the seal. Do Not leave the seal lip unsupported for more than five minutes as permanent damage can result. Insert the drive shaft assembly, keyed end of the drive shaft first, through the seal (Figure 3). Take care not to damage the teflon lip. You may want to use a tapered insertion tool to guide the assembly through the seal.

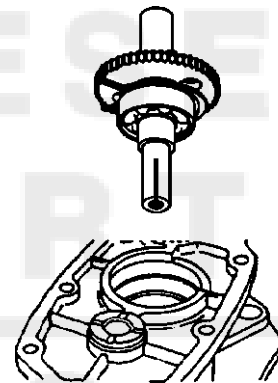


Figure 3

DIPACO, Inc.

105 East Parr Boulevard, Reno, Nevada 89512 USA

www.dipaco.com ■ sales@dipaco.com

Telephone: (775) 329-7511 ■ Fax: (775) 329-9740 ■ Toll Free: (800) 648-4720 ■ Toll Free Fax: (888) 320-7761



**DIPACO**  
**DIESEL**  
**PARTS**  
**U S A**

## CALIBRATION KIT FOR CUMMINS FUEL PUMPS

DIPACO has developed a kit containing all of the popular springs, shims and idle spring plungers used to calibrate and set Cummins PT fuel pumps. The parts come in a sturdy parts cabinet, which can be assembled to accommodate your work area. The kit contains 90 commonly used part numbers and is designed to have the pieces readily accessible for your Cummins technician. The part numbers, quantities in the kit, and color or size are listed on the following page. The part number for the kit is DPE10060.

Our cabinet is made up of sturdy interlocking trays. Each tray contains two or four drawers, and each drawer has five compartments. The trays can be connected together vertically and horizontally, allowing you to configure the cabinet to best fit your work area. The cabinet can also be wall mounted, regardless of the shape or size.

Each drawer is numbered, and the kit comes with an easel-style directory showing drawer and compartment location for each part. The directory lists all part numbers in each parts category. As an example, we include 25 different torque springs in the kit; however, we show all 120 different torque control springs in the directory. This way, you can add springs and write in their locations. We also include the Cummins color code for all springs, the number and size for all buttons, and the thickness for all shims.

You should also know all DIPACO springs for Cummins PT fuel pumps are tested 100% to insure they meet Cummins specifications.

Each calibration kit includes four trays with four drawers each and two trays with two drawers each. Each tray measures 11-1/4" wide by 5-1/4" high by 11-1/4" deep. Each drawer in the four-drawer tray is 2 1/2" wide and each drawer in the two-drawer tray measures 5-1/4" wide.

The following are the part numbers for the calibration kit and the various components. You can expand your original DPE10060 Complete Calibration Kit with the convenience of add-on trays for almost any purpose.

<b>DPE10060</b>	<b>Complete Calibration Kit</b>
<b>DPE10070</b>	<b>Parts Refill ( all springs, shims and buttons)</b>
<b>DPE10068</b>	<b>Four-Drawer Tray</b>
<b>DPE10069</b>	<b>Two-Drawer Tray</b>

**THE FOLLOWING PAGE SHOWS ALL PART NUMBERS, QUANTITIES AND DESCRIPTIONS IN THE DPE10060 COMPLETE CALIBRATION KIT**

DIPACO, Inc.

105 East Parr Boulevard, Reno, Nevada 89512 USA

www.dipaco.com ■ sales@dipaco.com

Telephone: (775) 329-7511 ■ Fax: (775) 329-9740 ■ Toll Free: (800) 648-4720 ■ Toll Free Fax: (888) 320-7761



## CALIBRATION KIT FOR CUMMINS FUEL PUMPS

### CONTENTS OF DPE10060 COMPLETE CALIBRATION KIT

#### AFC SPRINGS

D179816	2	BLUE/WHITE
D179818	2	BLUE/ORANGE
D179820	2	BLUE/PURPLE
D179822	2	WHITE/GREEN
D179824	2	WHITE/RED
D179826	2	WHITE/YELLOW
D179828	2	GREEN/RED
D179830	2	GREEN/YELLOW
D179834	2	RED/PURPLE
D179836	2	PURPLE/YELLOW

#### IDLE SPRING PLUNGER (BUTTON)

D137370	2	#40 .2785/.2815"
D138862	2	#45 .2885/.2915"
D140417	2	#17 .2335/.2365"
D140418	2	#37 .2735/.2765"
D140922	2	#35 .2685/.2715"
D140923	2	#42 .2385/.3865"
D141623	2	#5 .2085/.2115"
D141624	2	#7 .2135/.2165"
D141625	2	#10 .2185/.2215"
D141626	2	#12 .2235/.2265"
D141629	2	#20 .2385/.2415"
D141630	2	#22 .2435/.2465"
D141631	2	#25 .2485/.2515"
D141632	2	#27 .2535/.2565"
D141633	2	#30 .2585/.2615"
D141634	2	#32 .2635/.2665"

#### GOVERNOR SHIMS

D70717	20	.020"
D70717A	10	.010"
D70717B	10	.005"

#### TORQUE SHIMS

D101841	10	.005"
D101842	10	.010"
D101843	10	.020"

#### VS GOVERNOR IDLE & HIGH SPEED SHIMS

D153379	10	.020"
D153380	10	.010"
D153381	10	.005"
D70811	10	.020"
D70811A	10	.010"
D70811B	10	.005"

#### THROTTLE SHAFT SHIMS

D70750	25	.010"
D70750A	25	.005"
D70750B	25	.002"
DPE46680	10	.005"
DPE46680A	10	.010"

#### HIGH SPEED SPRINGS

D143250	2	RED/WHITE
D143251	2	BLUE/PURPLE
D143252	2	RED
D143253	2	RED/YELLOW
D143254	2	RED/PURPLE
D153235	2	GREEN/ORANGE
D153237	2	BLUE/YELLOW
D153238	2	BLUE/RED
D3000940	2	ORANGE/LT BLUE
D3000941	2	GREEN/WHITE
D3001146	2	YELLOW/PURPLE
D3001147	2	BROWN
D3004750	2	GRAY/PURPLE
D3004753	2	PINK/YELLOW
D3004754	2	PINK/GREEN

#### WEIGHT ASSIST SPRINGS

D143847	10
D143848	5
D143849	5
D143854	5
D143855	5

#### IDLE SPRINGS

D144195	5
D3018767	5

#### TORQUE CONTROL SPRINGS

D138768	2	RED
D138769	2	BLUE
D138780	2	GREEN
D138781	2	YELLOW
D138782	2	RED/BLUE
D138783	2	RED/GREEN
D138784	2	RED/YELLOW
D138785	2	RED/ORANGE
D138802	2	GREEN/YELLOW
D139584	2	BLUE/GREEN/PINK
D139585	2	BLUE/YELLOW/PURPLE
D139586	2	GREEN/YELLOW/PURPLE
D139587	2	BLUE/YELLOW/PINK
D3002047	2	WHITE/PURPLE
D3002048	2	WHITE/RED/LT BLUE
D3002049	2	ORANGE/PURPLE
D3002050	2	ORANGE/RED/LT BLUE
D3002051	2	ORANGE/BLUE/PURPLE
D3002052	2	ORANGE/GREEN/GRAY
D3002053	2	WHITE/PINK
D3002054	2	WHITE/RED/PURPLE
D3002055	2	ORANGE/GRAY
D3002056	2	ORANGE/RED/PURPLE
D3002057	2	ORANGE/BLUE/GRAY
D3002058	2	ORANGE/GREEN/PINK

DIPACO, Inc.

105 East Parr Boulevard, Reno, Nevada 89512 USA

www.dipaco.com ■ sales@dipaco.com

Telephone: (775) 329-7511 ■ Fax: (775) 329-9740 ■ Toll Free: (800) 648-4720 ■ Toll Free Fax: (888) 320-7761



**DIPACO**  
**DIESEL**  
**PARTS**  

---

**U S A**

**NOTES**



DIPACO, Inc.

105 East Parr Boulevard, Reno, Nevada 89512 USA

[www.dipaco.com](http://www.dipaco.com) ■ [sales@dipaco.com](mailto:sales@dipaco.com)

Telephone: (775) 329-7511 ■ Fax: (775) 329-9740 ■ Toll Free: (800) 648-4720 ■ Toll Free Fax: (888) 320-7761



**DIPACO**  
**DIESEL**  
**PARTS**  

---

**U S A**

**NOTES**



®

**DIPACO**  
**DIESEL**  
**PARTS**  

---

**U S A**



®

**DIPACO**  
**DIESEL**  
**PARTS**  

---

**U S A**



**DIPACO**  
**DIESEL**  
**PARTS**  

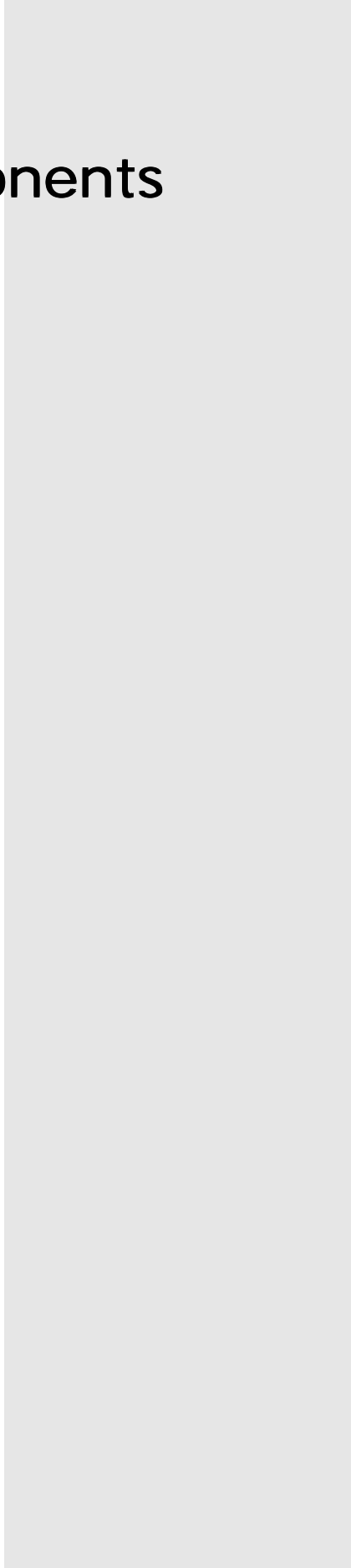
---

**U S A**

**COMPONENTS**

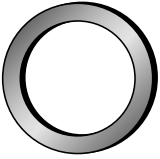

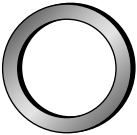
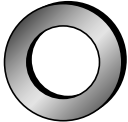
---

**DIPACO, Inc.**  
**Fuel Injection Components**





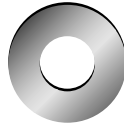


<p><b>Application</b> suit GM 6.2 and 6.5 engines</p> <p><b>Specifications</b> inside diameter: 17.3mm outside diameter: 21.35mm thickness: 2mm material: Copper</p>	<p><b>Nozzle Washer</b></p> 	<p><b>D14025557</b></p>
<p><b>Application</b> International D236 and D282 engines</p> <p><b>Specifications</b> inside diameter: 9.7mm outside diameter: 12.45mm thickness: 0.9mm material: Steel</p>	<p><b>Nozzle Washer</b></p> 	<p><b>D279274R1</b></p>
<p><b>Application</b> various early model IHC engines (similar to CAV 7108-28)</p> <p><b>Specifications</b> inside diameter: 12.8mm outside diameter: 17.4mm thickness: 1.5mm material: Steel</p>	<p><b>Nozzle Washer</b></p> 	<p><b>D37148DA</b></p>
<p><b>Application</b> Cummins 'B' engine (9mm nozzle tip)</p> <p><b>Specifications</b> inside diameter: 9.6mm outside diameter: 15.5mm thickness: 1.6mm material: Copper</p>	<p><b>Nozzle Washer</b></p> 	<p><b>D3900808</b></p>



D3920174

Nozzle Washer

**Application**

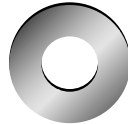
Cummins 'C' series  
(7mm nozzle tip)

**Specifications**

inside diameter: 7.2mm  
 outside diameter: 15.5mm  
 thickness: 1.65mm  
 material: Copper

D3923261

Nozzle Washer

**Application**

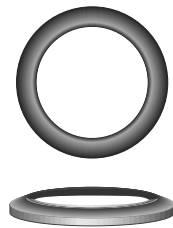
Cummins 'B' series  
(7mm nozzle tip)

**Specifications**

inside diameter: 7.2mm  
 outside diameter: 15.5mm  
 thickness: 2.5mm  
 material: Copper

D4025150

Nozzle Washer

**Application**

Allis-Chalmers  
(2200, 3500, 6000, 11000, 2900MK2  
545B & 605 loaders)

**Specifications**

inside diameter: 14.4mm  
 outside diameter: 19.7mm  
 thickness: 2.75mm  
 material: Copper

D4378031

Nozzle Washer

**Application**

Allis-Chalmers  
(2200, 3500, 6000, 11000, 2900MK2  
545B & 605 loaders)

**Specifications**

inside diameter: -  
 outside diameter: 18.8mm  
 thickness: 3.1mm  
 material: Copper



<p><b>Application</b> Allis-Chalmers holder assembly 4060858</p> <p><b>Specifications</b> inside diameter: 15.1mm outside diameter: 19.2mm thickness: 1.9mm material: Copper</p>	<p><b>Nozzle Washer</b></p> 	<p><b>D4511204</b></p>
<p><b>Application</b> Mack (4VH) series</p> <p><b>Specifications</b> inside diameter: 9.3mm outside diameter: 15.7mm thickness: 1.6mm material: Steel</p>	<p><b>Nozzle Washer</b></p> 	<p><b>D590GB1338</b></p>
<p><b>Application</b> Caterpillar '7000' series (green coding)</p> <p><b>Specifications</b> inside diameter: 9.8mm outside diameter: 17.15mm thickness: 3.15mm material: Copper</p>	<p><b>Nozzle Washer</b></p> 	<p><b>D7W4482</b></p>
<p><b>Application</b> Caterpillar '7000' series (red coding)</p> <p><b>Specifications</b> inside diameter: 9.8mm outside diameter: 17.15mm thickness: 2.65mm material: Copper</p>	<p><b>Nozzle Washer</b></p> 	<p><b>D7W4483</b></p>



D7W4485

Nozzle Washer

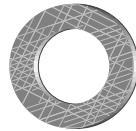
***A p p l i c a t i o n***

Caterpillar '7000' series

***S p e c i f i c a t i o n s***
inside diameter: 9.7mm  
outside diameter: 15.2mm  
thickness: 1.3mm  
material: Copper

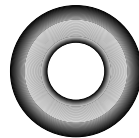
D7W4486

Nozzle Washer

***A p p l i c a t i o n***Caterpillar '7000' series  
(purple coding)***S p e c i f i c a t i o n s***
inside diameter: 9.8mm  
outside diameter: 17.15mm  
thickness: 1.8mm  
material: Copper

D11176-17010

Nozzle Washer

***A p p l i c a t i o n***Land Cruiser and Toyota 12HT  
(1HDT production dates up to 8/92)***S p e c i f i c a t i o n s***
inside diameter: 7.5mm  
outside diameter: 17mm  
thickness: 2.5mm  
material: Copper

D11176-17020

Nozzle Washer

***A p p l i c a t i o n***turbocharged Land Cruiser and  
Toyota 1HDT (1HDT production  
dates 8/92 and after)***S p e c i f i c a t i o n s***
inside diameter: 7.5mm  
outside diameter: 17mm  
thickness: 3.5mm  
material: Copper



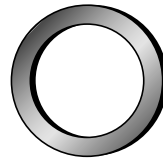
### *Application*

suit 'S' type pintle for early Toyota series

### *Specifications*

inside diameter: 15mm  
outside diameter: 20mm  
thickness: 3mm  
material: Brass

### Nozzle Washer



**D11176-36010**

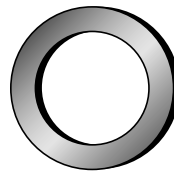
### *Application*

Toyota 2L Hi-Lux and H & 2H Land Cruiser

### *Specifications*

inside diameter: 15mm  
outside diameter: 21.5mm  
thickness: 3mm  
material: Brass

### Nozzle Washer



**D11176-56010**

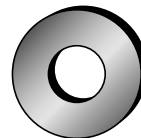
### *Application*

Toyota BU Dyna (pre 1988) & 12HT direct injection

### *Specifications*

inside diameter: 7.5mm  
outside diameter: 17mm  
thickness: 2.5  
material: Brass

### Nozzle Washer



**D11176-56020**

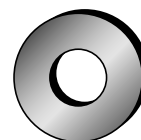
### *Application*

Toyota 1 HDT direct injection (production dates to 8/88) & BU Dyna (to 3/97 11B, 14B)

### *Specifications*

inside diameter: 7.5mm  
outside diameter: 17mm  
thickness: 2mm  
material: Brass

### Nozzle Washer

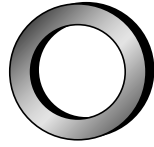


**D11176-56030**



D11176-64010

Nozzle Washer

**Application**

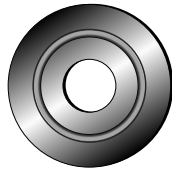
Toyota 3L Hi Lux & IHZ  
 (with 'P' type pintle nozzle)

**Specifications**

inside diameter: 12.5mm  
 outside diameter: 18mm  
 thickness: 2.5mm  
 material: Brass

D11176-87301

Nozzle Washer

**Application**

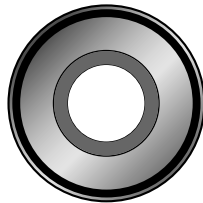
suit Diahatsu

**Specifications**

inside diameter: 7mm  
 outside diameter: 21.5mm  
 thickness: 4mm  
 material: Brass

D11177-77014

Nozzle Washer

**Application**

very early Toyota 78/79 series,  
 Dyna also DA

**Specifications**

inside diameter: 10.4mm  
 outside diameter: 26mm  
 thickness: 2.8mm  
 material: Copper

D11177-78010

Nozzle Washer





**Application**

Hino, Mitsubishi Canter (heavy duty  
 Dyna truck) also some Toyota  
 direct injection

**Specifications**

inside diameter: 9mm  
 outside diameter: 19.5mm  
 thickness: 5mm  
 material: Copper (cup type)

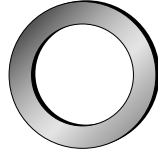


<p><b>Application</b> Yanmar 'L' series</p> <p><b>Specifications</b> inside diameter: 7.6mm outside diameter: - thickness: 7.5mm material: Plastic</p>	<p>Nozzle Washer</p> 	<p>D114250-11460</p>
<p><b>Application</b> Yanmar 'L' series</p> <p><b>Specifications</b> inside diameter: 9.8mm outside diameter: 16.6mm thickness: 1.6mm material: Steel</p>	<p>Nozzle Washer</p> 	<p>D114350-11470</p>
<p><b>Application</b> Yanmar '3TN', '4TN' series</p> <p><b>Specifications</b> inside diameter: 14mm outside diameter: 18mm thickness: 1mm material: Copper</p>	<p>Nozzle Washer</p> 	<p>D119600-11460</p>
<p><b>Application</b> Yanmar '3TN', '4TN' series</p> <p><b>Specifications</b> inside diameter: 10.5mm outside diameter: 16.5mm thickness: 1.85mm material: Steel</p>	<p>Nozzle Washer</p> 	<p>D129137-11880</p>



D16602-V1701

Nozzle Washer

***A p p l i c a t i o n***

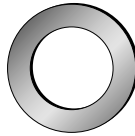
suit Nissan Navara

***S p e c i f i c a t i o n s***

inside diameter: 14.3mm  
 outside diameter: 20.6mm  
 thickness: 1.6mm  
 material: Copper

D16625-43G00

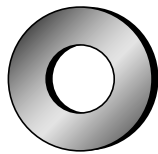
Nozzle Washer

***A p p l i c a t i o n***TD42 Nissan Patrol  
(‘P’ type nozzle)***S p e c i f i c a t i o n s***

inside diameter: 11.3mm  
 outside diameter: 17.5mm  
 thickness: 1.6mm  
 material: Copper

D16635-96000

Nozzle Washer

***A p p l i c a t i o n***

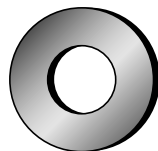
suit UD Nissan

***S p e c i f i c a t i o n s***

inside diameter: 9.1mm  
 outside diameter: 19.1mm  
 thickness: 2mm  
 material: Copper

D16635-96001

Nozzle Washer

***A p p l i c a t i o n***

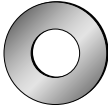
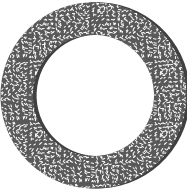
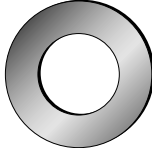
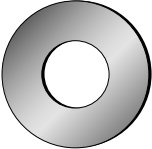
suit UD Nissan

***S p e c i f i c a t i o n s***

inside diameter: 9mm  
 outside diameter: 19mm  
 thickness: 2.5mm  
 material: Copper



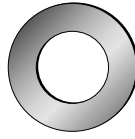


<p><b><i>A p p l i c a t i o n</i></b> suit Nissan SD33 engine</p> <p><b><i>S p e c i f i c a t i o n s</i></b> inside diameter: 6.75mm outside diameter: 14.3mm thickness: 0.9mm material: Copper</p>	<p><b>Nozzle Washer</b></p> 	<p><b>D16635-J2000</b></p>
<p><b><i>A p p l i c a t i o n</i></b> Lister HA/HB series</p> <p><b><i>S p e c i f i c a t i o n s</i></b> inside diameter: 16.6mm outside diameter: 25.5mm thickness: 1.5mm material: Fiber</p>	<p><b>Nozzle Washer</b></p> 	<p><b>D201-11720</b></p>
<p><b><i>A p p l i c a t i o n</i></b> suit Perkins 4/203.2</p> <p><b><i>S p e c i f i c a t i o n s</i></b> inside diameter: 11.5mm outside diameter: 20.7mm thickness: 0.9mm material: Copper</p>	<p><b>Nozzle Washer</b></p> 	<p><b>D2411127</b></p>
<p><b><i>A p p l i c a t i o n</i></b> various Lucas CAV 'S' type nozzles</p> <p><b><i>S p e c i f i c a t i o n s</i></b> inside diameter: 9.1mm outside diameter: 19.1mm thickness: 2mm material: Copper</p>	<p><b>Nozzle Washer</b></p> 	<p><b>D29004A</b></p>



D33115128

Nozzle Washer

**Application**

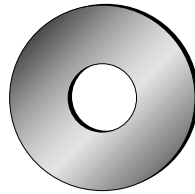
Perkins 6/354.3 turbocharged

**Specifications**

inside diameter: 9.8mm  
 outside diameter: 17.4mm  
 thickness: 0.85mm  
 material: Copper

D41027

Nozzle Washer

**Application**

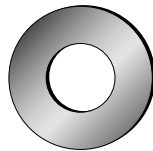
suit Scania

**Specifications**

inside diameter: 9.4mm  
 outside diameter: 25.5mm  
 thickness: 2mm  
 material: Copper

D41028

Nozzle Washer

**Application**

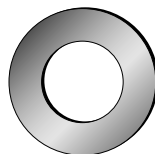
suit Mercedes Benz

**Specifications**

inside diameter: 9.6mm  
 outside diameter: 20mm  
 thickness: 0.85mm  
 material: Copper

D41031

Nozzle Washer

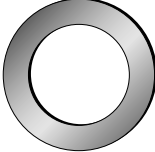
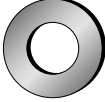
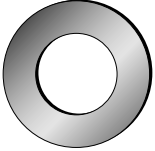

**Application**

various

**Specifications**

inside diameter: 9.8mm  
 outside diameter: 17.45mm  
 thickness: 1.6mm  
 material: Copper

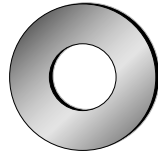


<p><b>Application</b> Mazda and Kubota</p> <p><b>Specifications</b> inside diameter: 14.4mm outside diameter: 21.6mm thickness: 2mm material: Copper</p>	<p>Nozzle Washer</p> 	<p>D41035</p>
<p><b>Application</b> Mazda T3500 direct injection</p> <p><b>Specifications</b> inside diameter: 7.2mm outside diameter: 13.7mm thickness: 2mm material: Copper</p>	<p>Nozzle Washer</p> 	<p>D41037</p>
<p><b>Application</b> Lucas/CAV BDLL nozzles fitted with heat shroud</p> <p><b>Specifications</b> inside diameter: 11.5mm outside diameter: 20.7mm thickness: 2mm material: Copper</p>	<p>Nozzle Washer</p> 	<p>D41045</p>
<p><b>Application</b> suit Mitsubishi, Dodge Canter</p> <p><b>Specifications</b> inside diameter: 10.9mm outside diameter: 18.7mm thickness: 3mm material: Copper</p>	<p>Nozzle Washer</p> 	<p>D41053</p>



D41055

Nozzle Washer

***Application***

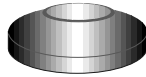
suit Mercedes V8

***Specifications***

inside diameter: 9.4mm  
 outside diameter: 20.6mm  
 thickness: 1mm  
 material: Copper

D5-15315003-0

Nozzle Washer

***Application***

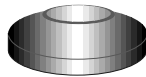
suit Isuzu

***Specifications***

inside diameter: 9.25mm  
 outside diameter: 19mm  
 thickness: 7.5mm  
 material: Copper

D5-15315007-0

Nozzle Washer

***Application***

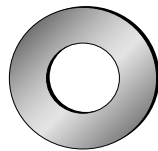
suit Isuzu

***Specifications***

inside diameter: 9.3mm  
 outside diameter: 19mm  
 thickness: 8.35mm  
 material: Copper

D5339-401

Nozzle Washer





***Application***

Various Lucas CAV BDLL nozzles

***Specifications***

inside diameter: 10.1mm  
 outside diameter: 20.4mm  
 thickness: 2mm  
 material: Copper

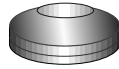


<p><b>Application</b> suit Leyland's own injector type</p> <p><b>Specifications</b> inside diameter: 9.4mm outside diameter: 22.5mm thickness: 1.1mm material: Copper</p>	<p><b>Nozzle Washer</b></p> 	<p><b>D7008-850</b></p>
<p><b>Application</b> suit Leyland</p> <p><b>Specifications</b> inside diameter: 8.5mm outside diameter: 18.1mm thickness: 1.3mm material: Copper</p>	<p><b>Nozzle Washer</b></p> 	<p><b>D801771</b></p>
<p><b>Application</b> Isuzu &amp; Jackaroo with 'P' type nozzle</p> <p><b>Specifications</b> inside diameter: 7.1mm outside diameter: 15mm thickness: 6.4mm material: Copper</p>	<p><b>Nozzle Washer</b></p> 	<p><b>D8-94125859-1</b></p>
<p><b>Application</b> suit Holden Jackaroo</p> <p><b>Specifications</b> inside diameter: 10.9mm outside diameter: 17.5mm thickness: 5.8mm material: Copper</p>	<p><b>Nozzle Washer</b></p> 	<p><b>D8-94148392-2</b></p>



D8-94377623-0

Nozzle Washer

**Application**

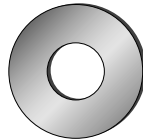
Isuzu with 'P' type nozzle

**Specifications**

inside diameter: 7.1mm  
 outside diameter: 15mm  
 thickness: 5.2mm  
 material: Copper

D9659-08108

Nozzle Washer

**Application**

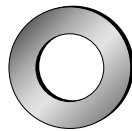
suit Hino

**Specifications**

inside diameter: 8.2mm  
 outside diameter: 19.2mm  
 thickness: 1mm  
 material: Steel

DR64840

Nozzle Washer

**Application**

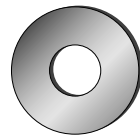
John Deere with 'S' type nozzles

**Specifications**

inside diameter: 9.7mm  
 outside diameter: 17.4mm  
 thickness: 2mm  
 material: Steel

DR84472

Nozzle Washer


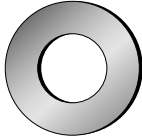
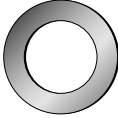
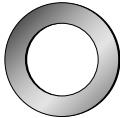
**Application**

John Deere with 'P' type nozzles

**Specifications**

inside diameter: 7.2mm  
 outside diameter: 17.9mm  
 thickness: 2mm  
 material: Steel



<p><b>Application</b> Landrover Discovery turbo direct injection</p> <p><b>Specifications</b> inside diameter: 7.4mm outside diameter: 15.9mm thickness: 1mm material: Copper</p>	<p><b>Nozzle Washer</b></p> 	<p><b>DERR4621</b></p>
<p><b>Application</b> various (used mostly on US engines)</p> <p><b>Specifications</b> inside diameter: 9.8mm outside diameter: 19mm thickness: 1.6mm material: Copper</p>	<p><b>Nozzle Washer</b></p> 	<p><b>DGA770009</b></p>
<p><b>Application</b> Ambac injectors fitted to Case &amp; International</p> <p><b>Specifications</b> inside diameter: 9.8mm outside diameter: 15mm thickness: 1.7mm material: Copper</p>	<p><b>Nozzle Washer</b></p> 	<p><b>DGA770056</b></p>
<p><b>Application</b> Ambac injector fitted to Leyland</p> <p><b>Specifications</b> inside diameter: 9.2mm outside diameter: 14.4mm thickness: 0.7mm material: Copper</p>	<p><b>Nozzle Washer</b></p> 	<p><b>DGA7724-2</b></p>



DM0221

Nozzle Washer

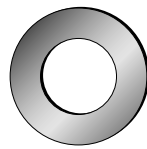
***A p p l i c a t i o n***

suit Deutz

***S p e c i f i c a t i o n s***
inside diameter: 9.4mm  
outside diameter: 20.3mm  
thickness: 2.4mm  
material: Aluminum

DMC756936

Nozzle Washer

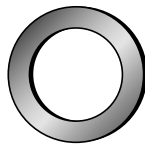
***A p p l i c a t i o n***

suit Mitsubishi

***S p e c i f i c a t i o n s***
inside diameter: 9.6mm  
outside diameter: 18.2mm  
thickness: 0.9mm  
material: Copper

DMD070717

Nozzle Washer

***A p p l i c a t i o n***

Mitsubishi with 'P' type pintle nozzle

***S p e c i f i c a t i o n s***
inside diameter: 12.3mm  
outside diameter: 17.9mm  
thickness: 1.4mm  
material: Copper

DME001017

Nozzle Washer

***A p p l i c a t i o n***

Mitsubishi with 'S' type pintle nozzle

***S p e c i f i c a t i o n s***
inside diameter: 10mm  
outside diameter: 15.9mm  
thickness: 4.5mm  
material: Copper





### *Application*

Mitsubishi direct injection

### *Specifications*

inside diameter: 7.2mm  
outside diameter: 14mm  
thickness: 3.7mm  
material: Copper

### Nozzle Washer



**DME016539**

### *Application*

Mitsubishi direct injection

### *Specifications*

inside diameter: 7.2mm  
outside diameter: 14mm  
thickness: 4.8mm  
material: Aluminum

### Nozzle Washer



**DME016564**

### *Application*

Mitsubishi with 'S' pintle nozzle

### *Specifications*

inside diameter: 11mm  
outside diameter: 18mm  
thickness: 4.6mm  
material: Copper

### Nozzle Washer



**DME040206**

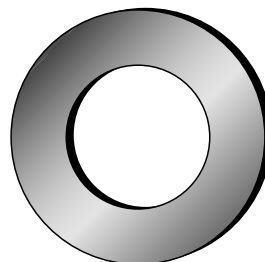
### *Application*

Mitsubishi and Fuso

### *Specifications*

inside diameter: 20.3mm  
outside diameter: 35.9mm  
thickness: 2mm  
material: Copper

### Nozzle Washer

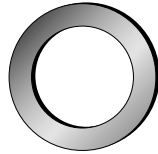


**DMH035105**



DNW5-43W4

Nozzle Washer

*Application*

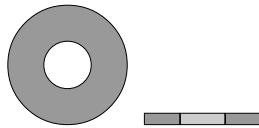
Various

*Specifications*

inside diameter: 14.4mm  
 outside diameter: 20.5mm  
 thickness: 1.6mm  
 material: Copper

D7169-519

Nozzle Washer

*Application*

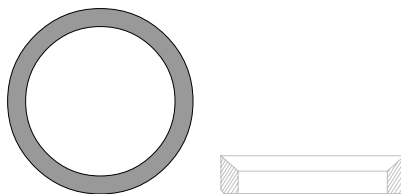
CAV

*Specifications*

inside diameter: .1465"  
 outside diameter: .3075"  
 thickness: .064"  
 material: Copper

DF3422R

Delivery Valve Gasket

*Application*

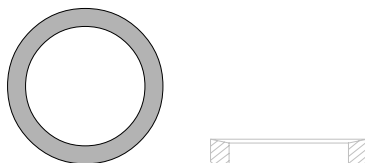
John Deere (AMBAC)

*Specifications*

inside diameter: .795"  
 outside diameter: .980"  
 thickness: .130"  
 material: Copper

DR928R

Delivery Valve Gasket

*Application*

John Deere

*Specifications*

inside diameter: .595"  
 outside diameter: .780"  
 thickness: .154"  
 material: Bronze



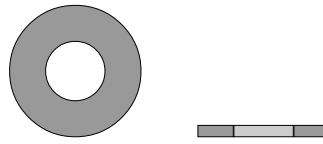
***Application***

John Deere 4010/4020

***Specifications***

inside diameter: .333"  
outside diameter: .690"  
thickness: .073"  
material: Copper

**Injector Washer**



**DR463R**

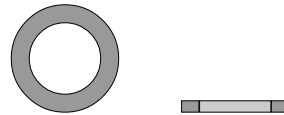
***Application***

John Deere 3010/4010 with Bendix nozzle

***Specifications***

inside diameter: .382"  
outside diameter: .562"  
thickness: .062"  
material: Copper

**Nozzle Return Washer**



**DT11292**

***Application***

John Deere

***Specifications***

inside diameter: .317"  
outside diameter: .550"  
thickness: .004"  
material: Spring Steel

**Shim .004" (black oxide)**



**DR1109R**

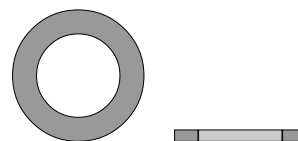
***Application***

Ford

***Specifications***

inside diameter: .362"  
outside diameter: .682"  
thickness: .062"  
material: Copper

**Nozzle Washer**

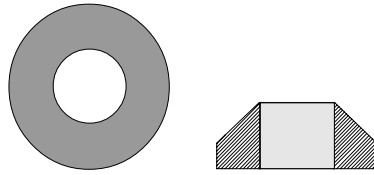


**DC5NE9E529A**



D1-1531S013

Nozzle Washer

***A p p l i c a t i o n***

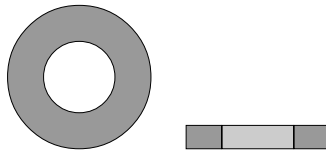
Izusu

***S p e c i f i c a t i o n s***

inside diameter: -  
 outside diameter: -  
 thickness: -  
 material: Copper

D590GB1127

Nozzle Washer

***A p p l i c a t i o n***

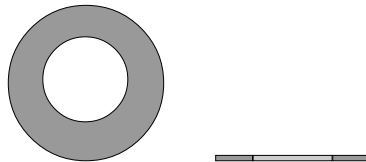
Mack

***S p e c i f i c a t i o n s***

inside diameter: .376"  
 outside diameter: .750"  
 thickness: .066"  
 material: Copper

D1476211X1

Nozzle Washer

***A p p l i c a t i o n***

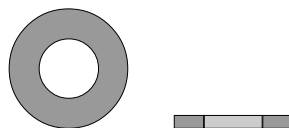
Massey-Ferguson

***S p e c i f i c a t i o n s***

inside diameter: .394"  
 outside diameter: .792"  
 thickness: .028"  
 material: Copper

D489256C1

Nozzle Washer

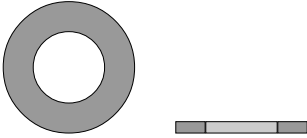
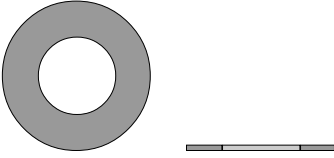
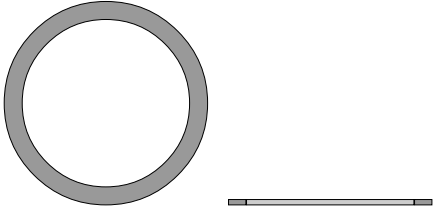
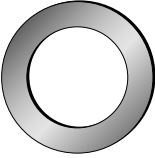
***A p p l i c a t i o n***

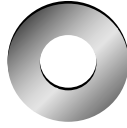
Navistar 6.9L/7.3L/9.0L

***S p e c i f i c a t i o n s***

inside diameter: .145"  
 outside diameter: .3075"  
 thickness: .062"  
 material: Copper



<p><b>Application</b> Navistar</p> <p><b>Specifications</b> inside diameter: .370" outside diameter: .672" thickness: .062" material: Copper</p>	<p><b>Injector Washer</b></p> 	<p><b>D601076C1</b></p>
<p><b>Application</b> Perkins</p> <p><b>Specifications</b> inside diameter: .394" outside diameter: .792" thickness: .028" material: Copper</p>	<p><b>Injector Washer</b></p> 	<p><b>D2411126</b></p>
<p><b>Application</b> Thermoking</p> <p><b>Specifications</b> inside diameter: .871" outside diameter: 1.051" thickness: .028" material: Copper</p>	<p><b>Injector Washer</b></p> 	<p><b>DNW5-60</b></p>
<p><b>Application</b> Nissan RD28</p> <p><b>Specifications</b> inside diameter: 14.4mm outside diameter: 21.1mm thickness: 1.4mm material: Copper</p>	<p><b>Nozzle Washer</b></p> 	<p><b>D16625-05E00</b></p>

**DGA770019****Nozzle Washer*****A p p l i c a t i o n***

International Harvester - AMBAC

***S p e c i f i c a t i o n s***

inside diameter: 7.4mm

outside diameter: 15.6mm

thickness: 1.5mm

material: Copper



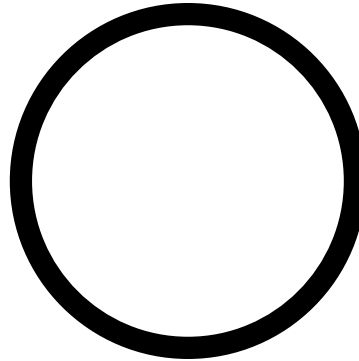
### *Application*

IHC YNH injectors only

### *Specifications*

inside diameter: 41.6mm  
outside diameter: 48.5mm  
thickness: 0.85mm  
material: Steel

### Combustion Ring



**D43002DA**

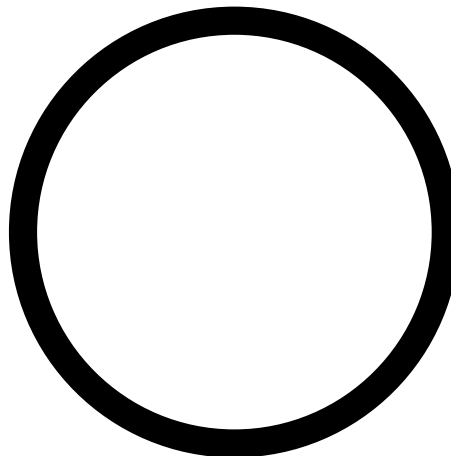
### *Application*

International TD24, UD24 & 1091 engines

### *Specifications*

inside diameter: 56.2mm  
outside diameter: 61.25mm  
width: 0.8mm  
material: Steel

### Combustion Ring



**D250602R4**

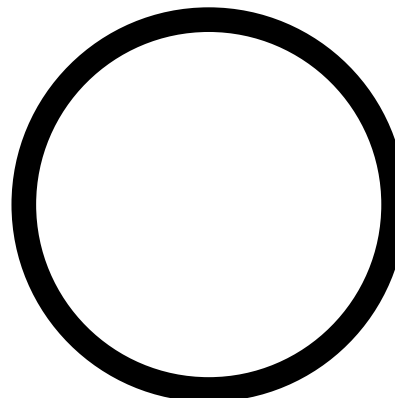
### *Application*

International TD18 & UD16, UD18 engines

### *Specifications*

inside diameter: 48.4mm  
outside diameter: 53.2mm  
thickness: 0.85  
material: Steel

### Combustion Ring

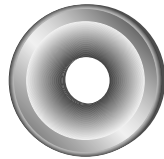


**D251042R2**



D141050-1072

Heat Shield

***A p p l i c a t i o n***

Mercedes and VW

***S p e c i f i c a t i o n s***

inside diameter: 5.3mm  
 outside diameter: 20.15mm  
 thickness: 3.53mm  
 material: Steel

D103854-11490

Heat Shield

***A p p l i c a t i o n***

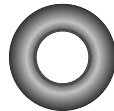
suits most Yanmar models

***S p e c i f i c a t i o n s***

inside diameter: 11.2mm  
 outside diameter: 24.22mm  
 thickness: 1.13mm  
 material: Fiber

D11177-47010

Heat Shield

***A p p l i c a t i o n***

Toyota - "S" size injector (pintle)

***S p e c i f i c a t i o n s***

inside diameter: 6.7mm  
 outside diameter: 13.8mm  
 thickness: 1.2mm  
 material: Steel

D11177-54011





Heat Shield

***A p p l i c a t i o n***late model Toyota 2L Hi-Lux  
(after August '86)***S p e c i f i c a t i o n s***

inside diameter: 10.4mm  
 outside diameter: 14.1mm  
 thickness: 1.4mm  
 material: Steel





<p><b>Application</b>          Toyota '5L' Hi-Lux late 97 model</p> <p><b>Specifications</b>          inside diameter: 7.8mm          outside diameter: 11.15mm          thickness: 1.5mm          material: Steel</p>	<p>Heat Shield</p> 	<p>D11177-54020</p>
<p><b>Application</b>          early Toyota 2L Hi-Lux and H &amp; 2H Land Cruiser</p> <p><b>Specifications</b>          inside diameter: 7.64mm          outside diameter: 14.05mm          thickness: 1.3mm          material: Brass</p>	<p>Heat Shield</p> 	<p>D11177-56010</p>
<p><b>Application</b>          Toyota 3L Hi-Lux &amp; 1HZJ Land Cruiser</p> <p><b>Specifications</b>          inside diameter: 7.9mm          outside diameter: 11.15mm          thickness: 1.56mm          material: Steel</p>	<p>Heat Shield</p> 	<p>D11177-64010</p>
<p><b>Application</b>          Yanmar 3TN, 4TN series</p> <p><b>Specifications</b>          inside diameter: 7.6mm          outside diameter: 10.5mm          width: 9.75mm          material: Plastic</p>	<p>Heat Shield</p> 	<p>D119625-11870</p>



D16626-09W00

Heat Shield

***A p p l i c a t i o n***

Nissan

***S p e c i f i c a t i o n s***

inside diameter: 6.5mm  
 outside diameter: 13.7mm  
 thickness: 1.38mm  
 material: Steel

D16626-43G00

Heat Shield

***A p p l i c a t i o n***

TD42 Nissan Patrol

***S p e c i f i c a t i o n s***

inside diameter: 6.9mm  
 outside diameter: 10.9mm  
 thickness: 1.66mm  
 material: Copper

D61 70170 260

Heat Shield

***A p p l i c a t i o n***

Mercedes III series

***S p e c i f i c a t i o n s***

inside diameter: 8mm  
 outside diameter: 20.2mm  
 thickness: 2.6mm  
 material: Steel

D8-94420247-0

Heat Shield





***A p p l i c a t i o n***

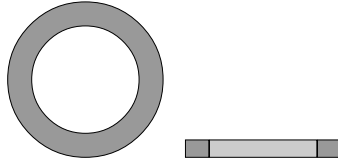
Holden Jackaroo

***S p e c i f i c a t i o n s***

inside diameter: 5.4mm  
 outside diameter: 10.5mm  
 thickness: 1.3mm  
 material: Steel



<p><b>Application</b> Landrover</p> <p><b>Specifications</b>  inside diameter: 7.2mm  outside diameter: 13.5mm  thickness: 1.15mm  material: Steel</p>	<p>Heat Shield</p> 	<p>D9042-603</p>
<p><b>Application</b> Isuzu</p> <p><b>Specifications</b>  inside diameter: 14.5mm  outside diameter: -  width: 11.17mm  material: Steel</p>	<p>Heat Shield</p> 	<p>D9-15315027-0</p>
<p><b>Application</b> Mitsubishi 4D558 and 4D56 Pajero</p> <p><b>Specifications</b>  inside diameter: 7.8mm  outside diameter: 10.83mm  thickness: 1.58mm  material: Copper</p>	<p>Heat Shield</p> 	<p>DMD070718</p>
<p><b>Application</b> Volvo Penta 40 Series</p> <p><b>Specifications</b>  inside diameter: -  outside diameter: -  thickness: -  material: Aluminum</p>	<p>Heat Shield</p> 	<p>D1304-13-654</p>

**D036-13-65199****Heat Shield*****A p p l i c a t i o n***

Volvo

***S p e c i f i c a t i o n s***

inside diameter: -  
outside diameter: -  
thickness: -  
material: Copper



<p><b>Application</b> Cummins</p> <p><b>Specifications</b> inside diameter: 6.1mm outside diameter: - width: 10mm material: Copper</p>	<p>Leak-off Washer</p> 	<p><b>D3903380</b></p>
<p><b>Application</b> various</p> <p><b>Specifications</b> inside diameter: 8.3mm outside diameter: 11.5mm width: 10mm material: Copper</p>	<p>Leak-off Washer</p> 	<p><b>DPE603</b></p>
<p><b>Application</b> various</p> <p><b>Specifications</b> inside diameter: 10mm outside diameter: 13.5mm width: 12mm material: Copper</p>	<p>Leak-off Washer</p> 	<p><b>DPE605</b></p>
<p><b>Application</b> UD Nissan</p> <p><b>Specifications</b> inside diameter: 10.4mm outside diameter: 14mm thickness: 2mm material: Copper</p>	<p>Leak-off Washer</p> 	<p><b>D01351-21104</b></p>

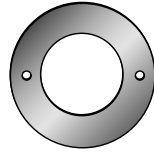
## LEAK-OFF WASHERS



**DIPACO**  
**DIESEL**  
**PARTS**  
**U S A**

D16627-43G00

Leak-off Washer

**Application**

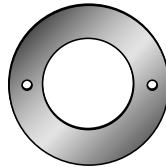
TD42 Nissan Patrol  
('P' size pintle injector)

**Specifications**

inside diameter: 12.2mm  
outside diameter: 19.4mm  
thickness: 0.7mm  
material: Copper

D16635-J5570

Leak-off Washer

**Application**

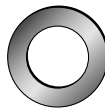
Nissan 'S' size pintle injector

**Specifications**

inside diameter: 12.2mm  
outside diameter: 22.2mm  
thickness: 0.7mm  
material: Copper

D22186

Leak-off Washer

**Application**

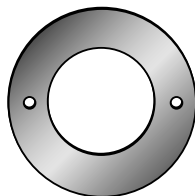
various Simms injectors

**Specifications**

inside diameter: 8.2mm  
outside diameter: 13.2mm  
thickness: 0.6mm  
material: Copper

D23654-46010  
(Toyota)  
D1456-13-671  
(Zexel)  
D093245-0040  
(Denso)  
D60208  
(Daihatsu)

Leak-off Washer

**Application**

Most indirect injection

**Specifications**

inside diameter: 12.55mm  
outside diameter: 24mm  
thickness: 0.8mm  
material: Aluminum



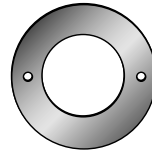
***Application***

Various 'P' size injectors

***Specifications***

inside diameter: 12.2mm  
outside diameter: 19.4mm  
thickness: 0.8mm  
material: Aluminum

**Leak-off Washer**



**D23654-64010**  
**(Toyota)**  
**D093245-0140**  
**(Denso)**

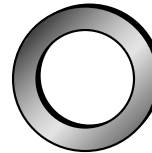
***Application***

various & to suit 1/2" banjo bolt

***Specifications***

inside diameter: 12.9mm  
outside diameter: 19.1mm  
thickness: 1.65mm  
material: Aluminum

**Leak-off Washer**



**D41709**

***Application***

Mercedes

***Specifications***

inside diameter: 8.1mm  
outside diameter: 12mm  
width: 9.5mm  
material: Copper

**Leak-off Washer (single banjo)**



**D41720**

***Application***

Mercedes

***Specifications***

inside diameter: 8.1mm  
outside diameter: 12mm  
width: 15mm  
material: Copper

**Leak-off Washer (double banjo)**



**D41721**

## LEAK-OFF WASHERS



**DIPACO**  
**DIESEL**  
**PARTS**  
**U S A**

D4322189

Leak-off Washer

***A p p l i c a t i o n***

Allis-Chalmers, AMBAC injector assembly

***S p e c i f i c a t i o n s***

inside diameter: 6mm  
 outside diameter: 10mm  
 thickness: 1mm  
 material: Copper

D502220

Leak-off Washer

***A p p l i c a t i o n***

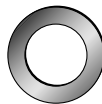
various

***S p e c i f i c a t i o n s***

inside diameter: 8mm  
 outside diameter: 11.2mm  
 thickness: 1.2mm  
 material: Aluminum

D5339-543A

Leak-off Washer

***A p p l i c a t i o n***

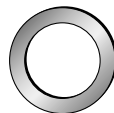
various Simms injectors

***S p e c i f i c a t i o n s***

inside diameter: 8.2mm  
 outside diameter: 12.7mm  
 thickness: 1mm  
 material: Aluminum

DGA404119

Leak-off Washer

***A p p l i c a t i o n***


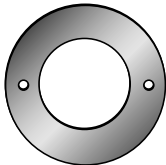
various Ambac injectors

***S p e c i f i c a t i o n s***

inside diameter: 10mm  
 outside diameter: 14mm  
 thickness: 0.8mm  
 material: Copper



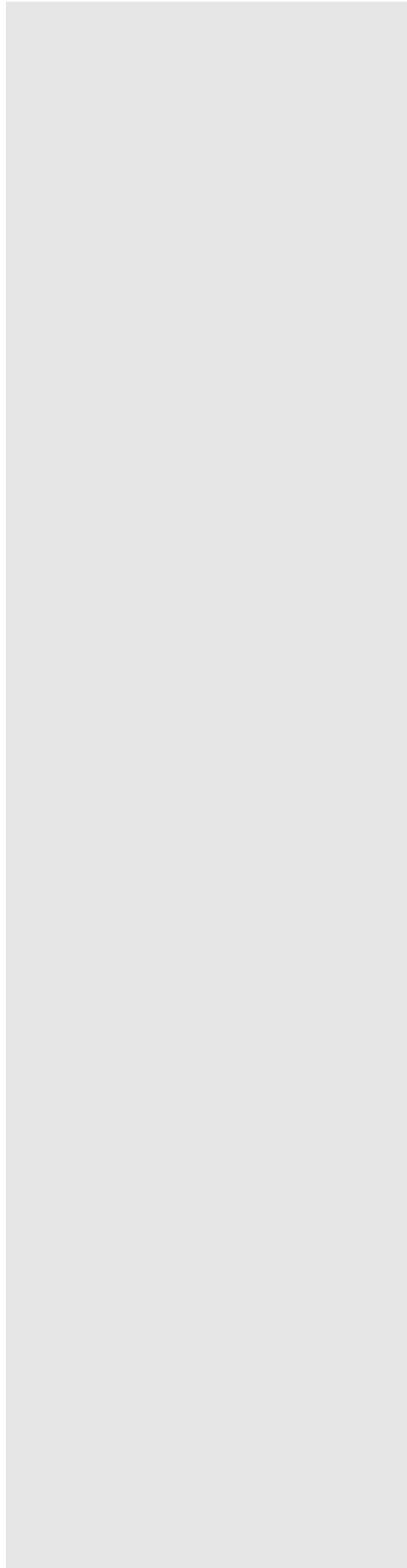
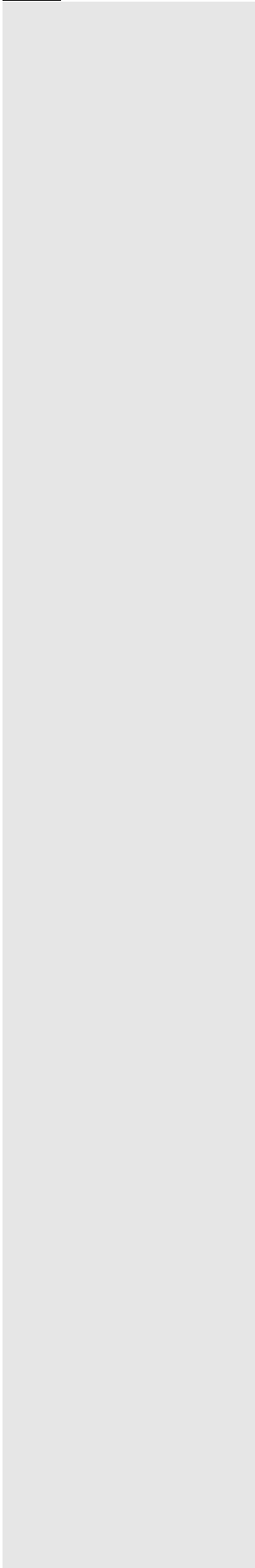


<p><b>Application</b>  various Lucas CAV injectors</p> <p><b>Specifications</b>  inside diameter: 8mm  outside diameter: 12mm  thickness: 1mm  material: Copper</p>	<p>Leak-off Washer</p> 	<p>DNW5-17W4</p>
<p><b>Application</b>  John Deere KDEL Nozzle</p> <p><b>Specifications</b>  inside diameter: .248"  outside diameter: .380"  thickness: .077"  material: Aluminum</p>	<p>Return Line Washer</p> 	<p>DR59294</p>
<p><b>Application</b>  Mazda 'S' size pintle series</p> <p><b>Specifications</b>  inside diameter: 12.2mm  outside diameter: 22.2mm  thickness: 0.7mm  material: Copper</p>	<p>Leak-off Washer</p> 	<p>D41702</p>
<p><b>Application</b>  Nissan RD28</p> <p><b>Specifications</b>  inside diameter: 12.2mm  outside diameter: 22.2mm  thickness: 0.7mm  material: Copper</p>	<p>Leak-off Washer</p> 	<p>D16635-16A00</p>

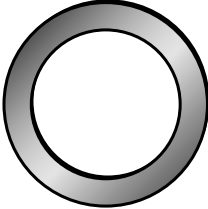
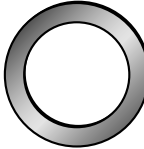
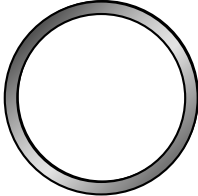
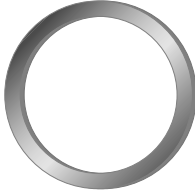
# LEAK-OFF WASHERS



**DIPACO**  
**DIESEL**  
**PARTS**  
**U S A**





<p><b>Application</b> YSM series</p> <p><b>Specifications</b> inside diameter: 17.15mm outside diameter: 28.8mm thickness: 0.5mm material: Copper</p>	<p>Cap Nut Washer</p> 	<p>D172100-53200</p>
<p><b>Application</b> Hino</p> <p><b>Specifications</b> inside diameter: 13.9mm outside diameter: 19mm thickness: 0.6mm material: Copper</p>	<p>Cap Nut Washer</p> 	<p>D23643-1010</p>
<p><b>Application</b> various Zexel 'S' size injectors</p> <p><b>Specifications</b> inside diameter: 22.2mm outside diameter: 25.5mm thickness: 1mm material: Copper</p>	<p>Cap Nut Washer</p> 	<p>D29332-203</p>
<p><b>Application</b> various Lister Injectors</p> <p><b>Specifications</b> inside diameter: 21.1mm outside diameter: 25.2mm thickness: 1.5mm material: Steel</p>	<p>Cap Nut Washer</p> 	<p>D5936-95F</p>

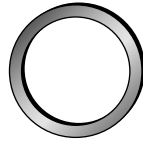
# CAP NUT WASHERS



**DIPACO**  
**DIESEL**  
**PARTS**  
**U S A**

**DGA404115**

**Cap Nut Washer**



***A p p l i c a t i o n***

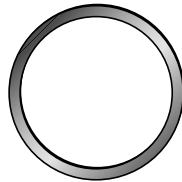
Mack

***S p e c i f i c a t i o n s***

inside diameter: 14.3mm  
 outside diameter: 17.5mm  
 thickness: 0.75mm  
 material: Copper

**DGA781079**

**Cap Nut Washer**



***A p p l i c a t i o n***

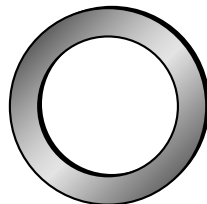
various & Mack AKF injector series

***S p e c i f i c a t i o n s***

inside diameter: 20.1mm  
 outside diameter: 23mm  
 thickness: 1mm  
 material: Copper

**DNW5-56**

**Cap Nut Washer**



***A p p l i c a t i o n***

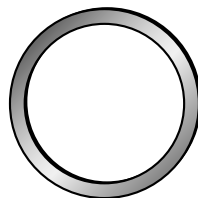
various

***S p e c i f i c a t i o n s***

inside diameter: 18.5mm  
 outside diameter: 26mm  
 thickness: 1.7mm  
 material: Copper

**DNW5-59**

**Cap Nut Washer**



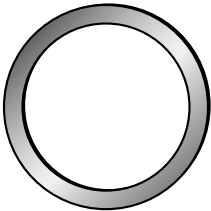
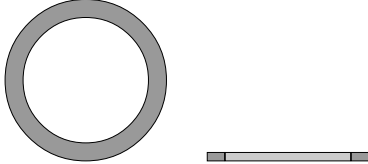
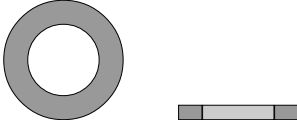
***A p p l i c a t i o n***

various Lucas/CAV injectors

***S p e c i f i c a t i o n s***

inside diameter: 21.1mm  
 outside diameter: 25mm  
 thickness: 1mm  
 material: Copper



<p><b>Application</b>          various Lucas/CAV injectors</p> <p><b>Specifications</b>          inside diameter: 22.1mm          outside diameter: 27mm          thickness: 0.7mm          material: Copper</p>	<p><b>Cap Nut Washer</b></p> 	<p><b>DNW5-60</b></p>
<p><b>Application</b>          Navistar DT360/DT466</p> <p><b>Specifications</b>          inside diameter: .330"          outside diameter: .4135"          thickness: .016"          material: Copper</p>	<p><b>Hand Primer Washer</b></p> 	<p><b>D681298C1</b></p>
<p><b>Application</b>          Navistar DT360/DT466</p> <p><b>Specifications</b>          inside diameter: .0193"          outside diameter: .0311"          thickness: .062"          material: Copper</p>	<p><b>Washer</b></p> 	<p><b>D675477C1</b></p>

# CAP NUT WASHERS

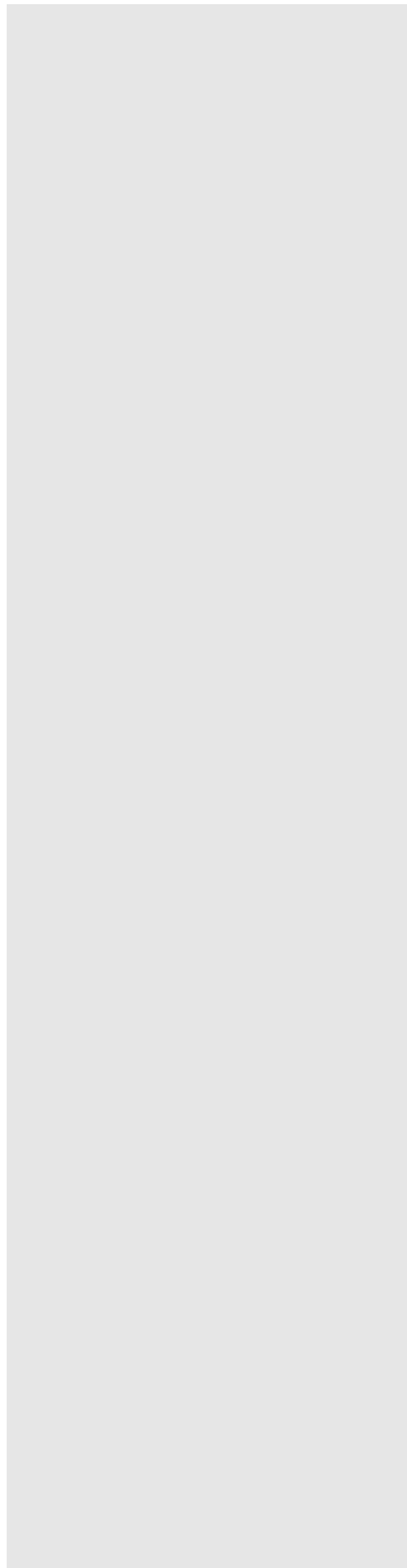
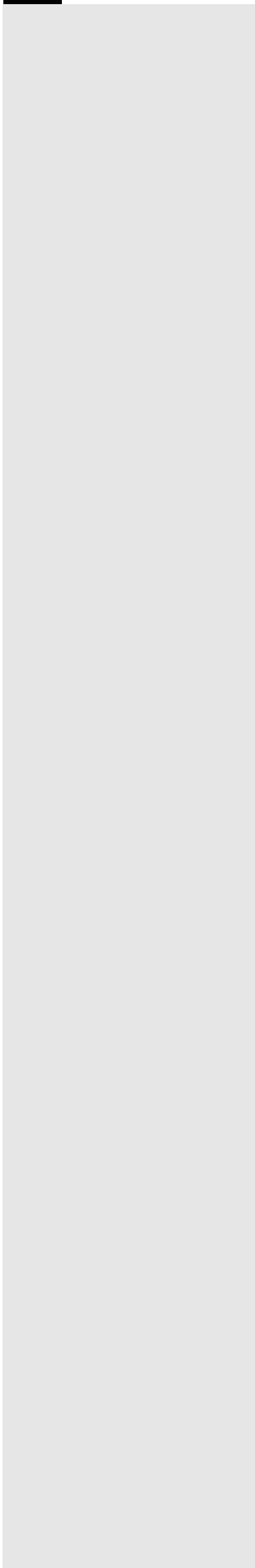
---



**DIPACO**  
**DIESEL**  
**PARTS**  

---

**U S A**





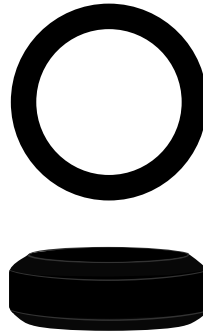
### *Application*

Iveco

### *Specifications*

inside diameter: 19.6mm  
outside diameter: 27.2mm  
width: 10.10mm  
material: Rubber

### Dust Seal



**D00767111**

### *Application*

Nissan

### *Specifications*

inside diameter: 24.5mm  
outside diameter: 29.5mm  
width: 18mm  
material: Rubber

### Dust Seal



**D16699-96000**

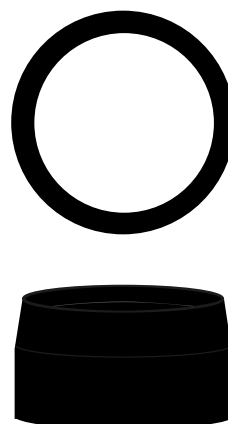
### *Application*

Hino EH700

### *Specifications*

inside diameter: 25mm  
outside diameter: 31mm  
width: 20mm  
material: Rubber

### Dust Seal

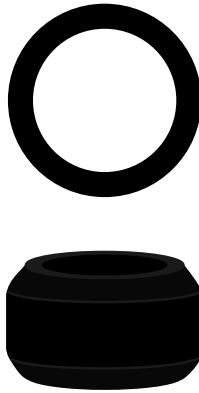


**D23667-1031**



D23667-1070

Dust Seal

***A p p l i c a t i o n***

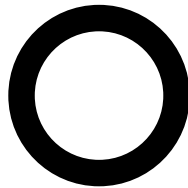
Hino &amp; Toyota

***S p e c i f i c a t i o n s***

inside diameter: 20mm  
 outside diameter: 27mm  
 width: 16.9mm  
 material: Rubber

D250608R1

O-Ring Dust Seal

***A p p l i c a t i o n***

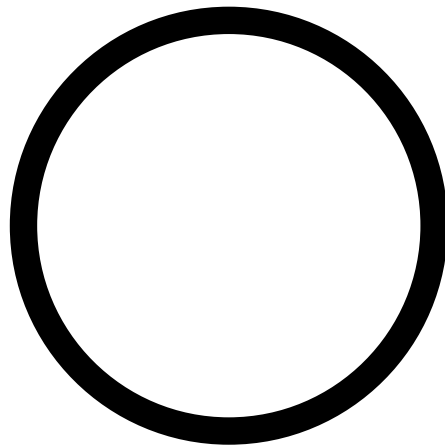
IHC 'A' style injector body

***S p e c i f i c a t i o n s***

inside diameter: 16.6mm  
 outside diameter: 24mm  
 width: 3.8mm  
 material: Rubber

D250609R1

O-Ring Dust Seal

***A p p l i c a t i o n***

IHC 'A' style injector

***S p e c i f i c a t i o n s***

inside diameter: 51.1mm  
 outside diameter: 59.1mm  
 thickness: 4mm  
 material: Rubber





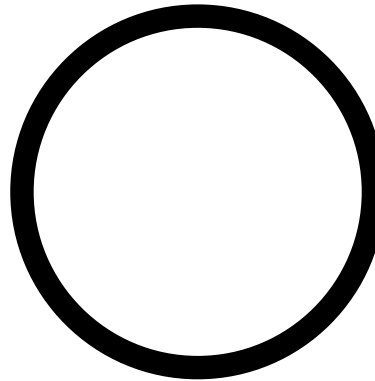
### *Application*

International D236 & D282 engines

### *Specifications*

inside diameter: 43.5mm  
outside diameter: 51.5mm  
thickness: 4mm  
material: Rubber

### O-Ring Dust Seal



**D251044R2**

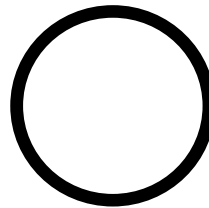
### *Application*

IHC & Bosch nozzle holders  
(D361 & D407 engines)

### *Specifications*

inside diameter: 22mm  
outside diameter: 27mm  
thickness: 2.5mm  
material: Rubber

### O-Ring Dust Seal



**D364879R1**

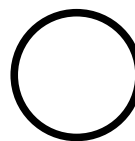
### *Application*

Cummins 'B' series (square cut)

### *Specifications*

inside diameter: 15.5mm  
outside diameter: 18.6mm  
thickness: 1.75mm  
material: Rubber

### Dust Seal

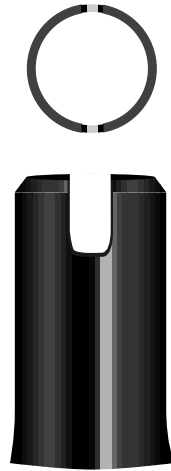


**D3909356**



D3909886

Dust Seal

***A p p l i c a t i o n***

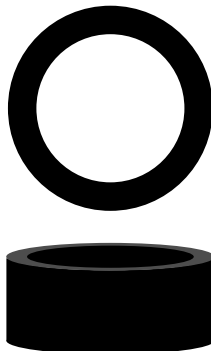
Cummins

***S p e c i f i c a t i o n s***

inside diameter: -  
 outside diameter: 16.7mm  
 length: 38.25mm  
 material: Plastic

D4024010

Dust Seal

***A p p l i c a t i o n***

Allis-Chalmers new style injector holder

***S p e c i f i c a t i o n s***

inside diameter: 18mm  
 outside diameter: 27mm  
 width: 12.8mm  
 material: Rubber

D4025385

Dust Seal

***A p p l i c a t i o n***

Allis-Chalmers old style injector holder

***S p e c i f i c a t i o n s***

inside diameter: 21.3mm  
 outside diameter: 29.1mm  
 width: 4.6mm  
 material: Rubber



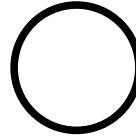
### *Application*

Mack (4 valve head) with Ambac HNM & AKN6567A injectors

### *Specifications*

inside diameter: 15mm  
outside diameter: 17.5mm  
thickness: 1.6mm  
material: Rubber

### O-Ring Dust Seal



**D446GC1208**

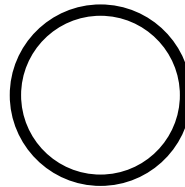
### *Application*

Mack (4 valve head) with Ambac HNM & AKN6567A injectors

### *Specifications*

inside diameter: 20mm  
outside diameter: 24mm  
thickness: 1.8mm  
material: Rubber

### O-Ring Dust Seal



**D56AX460**

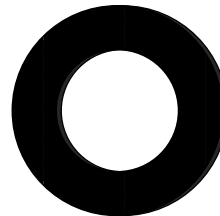
### *Application*

some Mack (2 valve head) old style with 'S' size injectors

### *Specifications*

inside diameter: 17mm  
outside diameter: 29.2mm  
width: 3mm  
material: Plastic Foam

### Dust Seal



**D590GB1143**

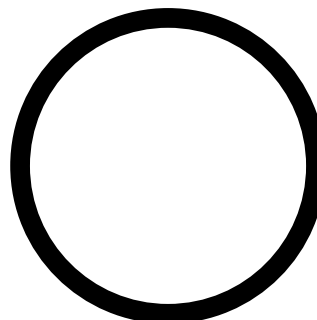
### *Application*

IHC

### *Specifications*

inside diameter: 39mm  
outside diameter: 47mm  
width: 4mm  
material: Rubber

### O-Ring Dust Seal

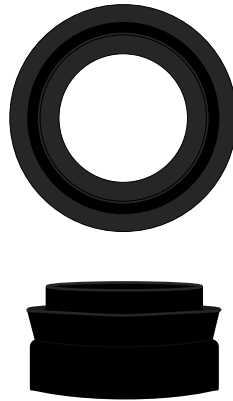


**D61209DA**



D682810C1

Dust Seal

***A p p l i c a t i o n***

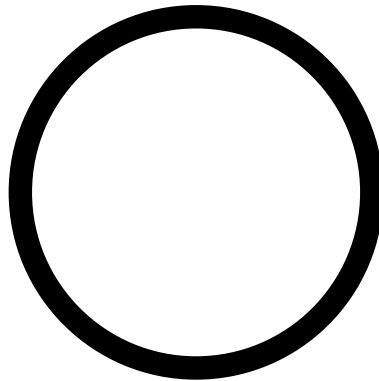
Ambac injector, AKN90M6425A  
 Navistar DT466

***S p e c i f i c a t i o n s***

inside diameter: 16m  
 outside diameter: -  
 width: 16mm  
 material: Rubber

D702658R1

O-Ring Dust Seal

***A p p l i c a t i o n***

IHC AUD254 & AUD264 engines  
 YNH injector only

***S p e c i f i c a t i o n s***

inside diameter: 45mm  
 outside diameter: 50mm  
 thickness: 2.5mm  
 material: Rubber

D70854

Dust Seal

***A p p l i c a t i o n***

Cummins

***S p e c i f i c a t i o n s***

inside diameter: 12.1mm  
 outside diameter: -  
 width: 9.35mm  
 material: Rubber



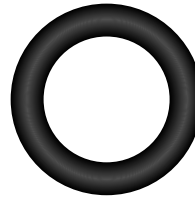
### *Application*

International, Bosch injector &  
Neuss D310/D358 engines

### *Specifications*

inside diameter: 17.2mm  
outside diameter: 25.2mm  
thickness: 4mm  
material: Rubber

### O-Ring Dust Seal



**D717203R1**

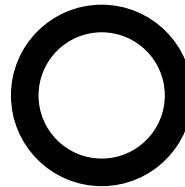
### *Application*

Toyota direct injection

### *Specifications*

inside diameter: 16.7mm  
outside diameter: 24mm  
width: 6.5mm  
material: Rubber

### Dust Seal



**D90430-17003**

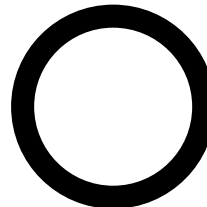
### *Application*

Isuzu

### *Specifications*

inside diameter: 20.7mm  
outside diameter: 26.9mm  
width: 6mm  
material: Rubber

### Dust Seal



**D9-15339051-0**



D930506

O-Ring Dust Seal

**Application**

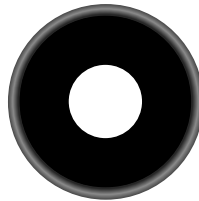
Allis-Chalmers 2200-3500/  
2900MK11/6000-11000 engines,  
545B/605 tractors

**Specifications**

inside diameter: 20.4mm  
outside diameter: 24.2mm  
thickness: 1.9mm  
material: Rubber

D1-09639019-0

Dust Seal

**Application**

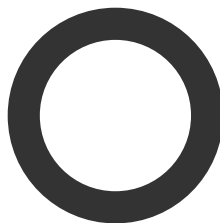
Isuzu E120 series

**Specifications**

inside diameter: 9.9mm  
outside diameter: 23.65mm  
thickness: 4.85mm  
material: Rubber/Steel  
outer

D1170540

O-Ring Dust Seal

**Application**

Deutz

**Specifications**

inside diameter: 20mm  
outside diameter: 28.5mm  
width: 4mm  
material: Rubber (red)

D129470-11920

Dust Seal

**Application**

Yanmar 4JHLTE series

**Specifications**

inside diameter: 12.6mm  
outside diameter: 19mm  
width: 9.9mm  
material: Rubber



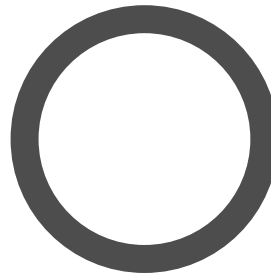
**Application**

Lister with Bryce and CAV injectors

**Specifications**

inside diameter: 28mm  
 outside diameter: 35mm  
 width: 3.6mm  
 material: Rubber

**O-Ring Dust Seal**



**D201-11080**

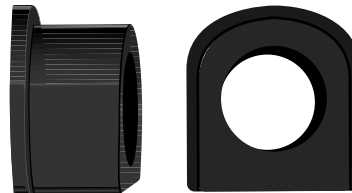
**Application**

Leyland 600 & 680

**Specifications**

inside diameter: 13.9mm  
 outside diameter: -  
 width: 15mm  
 material: Rubber

**Injector Dust Seal**



**D231931**

**Application**

Leyland 400

**Specifications**

inside diameter: 20mm  
 outside diameter: -  
 width: 13.8mm  
 material: Rubber

**Injector Dust Seal**



**D233039**

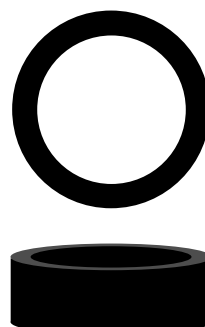
**Application**

Perkins & Mazda

**Specifications**

inside diameter: 21.3mm  
 outside diameter: 30mm  
 width: 8.5mm  
 material: Rubber

**Dust Seal**

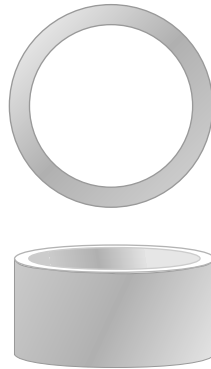


**D33813125**



D33813126

Dust Seal

**Application**

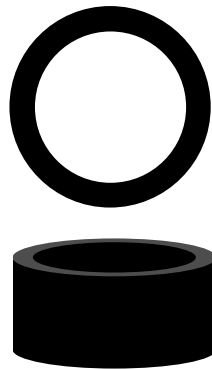
various Perkins

**Specifications**

inside diameter: 21.5mm  
 outside diameter: 26.8mm  
 width: 15.05mm  
 material: Nylon (white)

D33813127

Dust Seal

**Application**

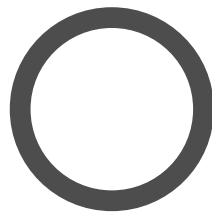
various Perkins 6/354.4

**Specifications**

inside diameter: 21.2mm  
 outside diameter: 27.8mm  
 width: 14.1mm  
 material: Rubber

D33813129

Dust Seal

**Application**various Perkins 6/354.4  
(used with D33813131)**Specifications**

inside diameter: 21.5mm  
 outside diameter: 27mm  
 width: 3.2mm  
 material: Nylon (blue)





### *A p p l i c a t i o n*

various Perkins 6/354.4  
(used with D33813129)

### *S p e c i f i c a t i o n s*

inside diameter: 21.7m  
outside diameter: 28mm  
width: 9.8mm  
material: Rubber (red)

### Dust Seal



**D33813131**

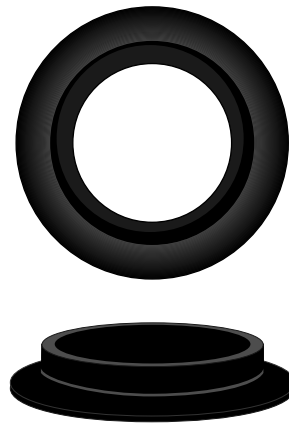
### *A p p l i c a t i o n*

Perkins

### *S p e c i f i c a t i o n s*

inside diameter: 21mm  
outside diameter: 36mm  
width: 7mm  
material: Rubber

### Dust Seal



**D33817114**

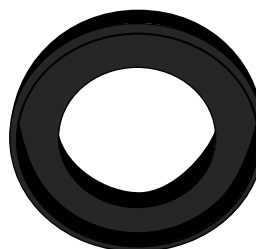
### *A p p l i c a t i o n*

various Perkins

### *S p e c i f i c a t i o n s*

inside diameter: 21mm  
outside diameter: 32mm  
width: 7.5mm  
material: Rubber

### Dust Seal

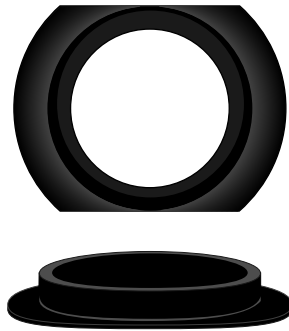


**D33817408**



D33817504

Dust Seal

*Application*

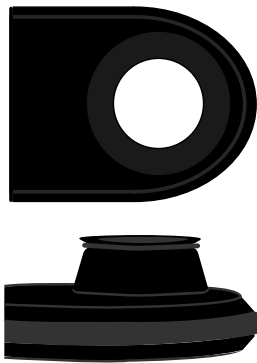
Perkins V8

*Specifications*

inside diameter: 20.5mm  
 outside diameter: -  
 width: 7.3mm  
 material: Rubber

D41501

Dust Seal

*Application*

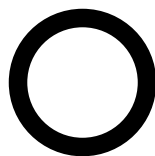
Ford

*Specifications*

inside diameter: 12.5mm  
 outside diameter: -  
 width: 19.5mm  
 material: Rubber

D41505

O-Ring Dust Seal

*Application*

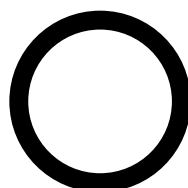
Mazda T3500 direct injection

*Specifications*

inside diameter: 14.6mm  
 outside diameter: 19.5mm  
 thickness: 2.5mm  
 material: Rubber

D41512

O-Ring Dust Seal




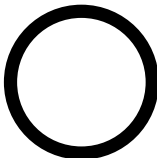
*Application*

John Deere with KDEL injectors

*Specifications*

inside diameter: 19mm  
 outside diameter: 24mm  
 thickness: 2.6mm  
 material: Rubber

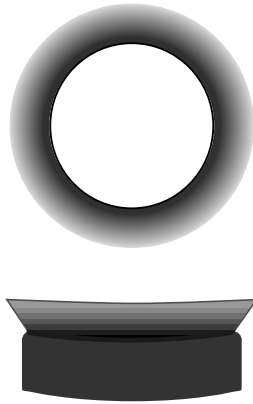


<p><b>Application</b>          Ford (also used on Mazda)</p> <p><b>Specifications</b>          inside diameter: 20.5mm          outside diameter: 30.5mm          width: 7mm          material: Cork</p>	<p style="text-align: center;"><b>Dust Seal</b></p> 	<p style="text-align: right;"><b>D41530</b></p>
<p><b>Application</b>          Scania &amp; Volvo F1280 intercooled</p> <p><b>Specifications</b>          inside diameter: 19.5mm          outside diameter: -          width: 5mm          material: Rubber</p>	<p style="text-align: center;"><b>Dust Seal</b></p> 	<p style="text-align: right;"><b>D41531</b></p>
<p><b>Application</b>          Ford</p> <p><b>Specifications</b>          inside diameter: 11mm          outside diameter: 17.5mm          width: 5.9mm          material: Rubber</p>	<p style="text-align: center;"><b>Dust Seal</b></p> 	<p style="text-align: right;"><b>D41532</b></p>
<p><b>Application</b>          Mack (2 valve head) with AMBAC          HNM injector</p> <p><b>Specifications</b>          inside diameter: 17.3mm          outside diameter: 20.7mm          thickness: 1.8mm          material: Rubber</p>	<p style="text-align: center;"><b>O-Ring Dust Seal</b></p> 	<p style="text-align: right;"><b>D446GC1195</b></p>



D469455

Dust Seal

*Application*

Volvo intercooler

*Specifications*

inside diameter: 19.5mm

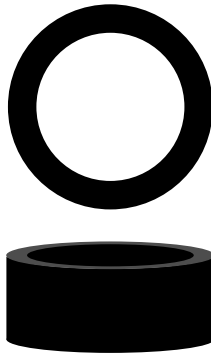
outside diameter: -

width: 10mm

material: Rubber (red)

D4717654

Dust Seal

*Application*

Fiat - Trax

*Specifications*

inside diameter: 19.5mm

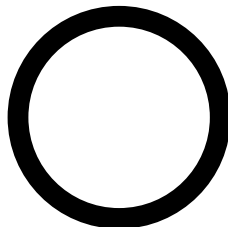
outside diameter: 27mm

width: 12.7mm

material: Rubber

D755671

O-Ring Dust Seal

*Application*

Fiat 411-615N

*Specifications*

inside diameter: 24mm

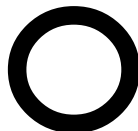
outside diameter: 29.5mm

width: 5mm

material: Rubber

DJ916284

Injector O-Ring

*Application*

Case

*Specifications*

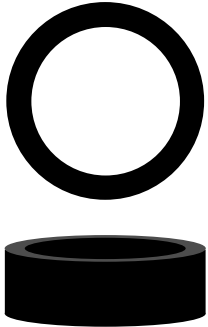
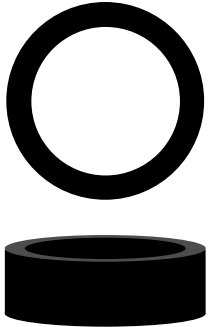
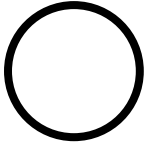
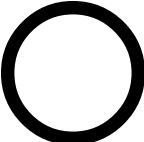
inside diameter: -

outside diameter: -

width: -

material: -

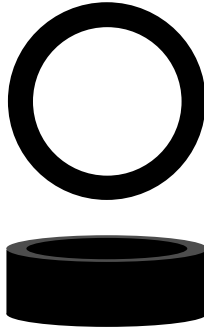


<p><b>Application</b>          Fiat 110</p> <p><b>Specifications</b>          inside diameter: 20mm          outside diameter: 27mm          width: 8.7mm          material: Rubber</p>	<p><b>Dust Seal</b></p> 	<p><b>D765647</b></p>
<p><b>Application</b>          Fiat 180-697</p> <p><b>Specifications</b>          inside diameter: 20mm          outside diameter: 27mm          width: 10.5mm          material: Rubber</p>	<p><b>Dust Seal</b></p> 	<p><b>D767111</b></p>
<p><b>Application</b>          Isuzu 4BE1</p> <p><b>Specifications</b>          inside diameter: 14.7mm          outside diameter: 19mm          width: 2.15mm          material: Rubber</p>	<p><b>Injector Dust Seal</b></p> 	<p><b>D8-94326439-0</b></p>
<p><b>Application</b>          Case</p> <p><b>Specifications</b>          inside diameter: -          outside diameter: -          width: -          material: -</p>	<p><b>Injector Dust Seal</b></p> 	<p><b>DJ913994</b></p>



D9-15339044-0

Injector Dust Seal

***A p p l i c a t i o n***

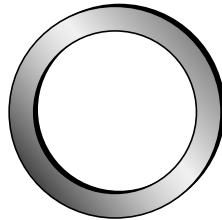
Isuzu

***S p e c i f i c a t i o n s***

inside diameter: -  
 outside diameter: 31.5mm  
 thickness: 13.3mm  
 material: Rubber

D90564-21001

Dust Seal

***A p p l i c a t i o n***

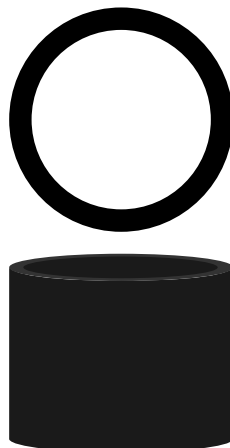
Toyota direct injection

***S p e c i f i c a t i o n s***

inside diameter: 21.5mm  
 outside diameter: 28mm  
 width: 1mm  
 material: Steel

DME036562

Dust Seal



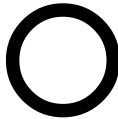
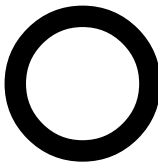
***A p p l i c a t i o n***

Mitsubishi

***S p e c i f i c a t i o n s***

inside diameter: 24mm  
 outside diameter: 30mm  
 width: 21.5mm  
 material: Rubber

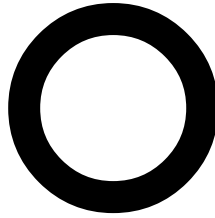


<p><b>Application</b>          John Deere KDEL nozzle</p> <p><b>Specifications</b>          inside diameter: 7/32"          outside diameter: 11/32"          thickness: 1/16"          material: Rubber</p>	<p><b>Return Line O-Ring</b></p> 	<p><b>DR77551</b></p>
<p><b>Application</b>          John Deere          (Bosch and Denso pumps)</p> <p><b>Specifications</b>          inside diameter: 5/16"          outside diameter: -          width: .072"          material: Rubber</p>	<p><b>Transfer Pump Inlet/Outlet O-Ring</b></p> 	<p><b>DR26286</b></p>
<p><b>Application</b>          John Deere          (Bosch and Denso pumps)</p> <p><b>Specifications</b>          inside diameter: 11.9mm          outside diameter: -          width: 2.15mm          material: Rubber</p>	<p><b>Transfer Pump Inlet/Outlet O-Ring</b></p> 	<p><b>DR26448</b></p>
<p><b>Application</b>          John Deere          (KDEL nozzle)</p> <p><b>Specifications</b>          inside diameter: 5/8"          outside diameter: 13/16"          width: -          material: Rubber</p>	<p><b>Injector Dust Seal</b></p> 	<p><b>DR51603</b></p>



D1170540

Injector Dust Seal O-Ring

*Application*

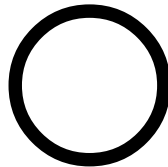
Deutz (red)

*Specifications*

inside diameter: -  
 outside diameter: -  
 thickness: -  
 material: Rubber

DE8HZ9F596A

Injector O-Ring

*Application*

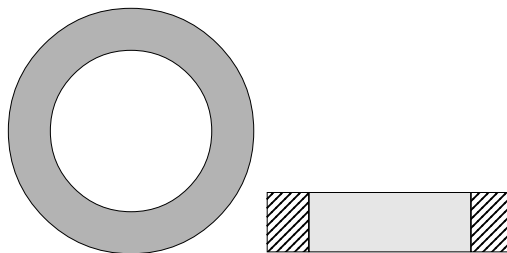
Ford 6.6/7.8L

*Specifications*

inside diameter: 11/16"  
 outside diameter: 13/16"  
 width: -  
 material: Rubber

DC5NE9F596A

Injector Dust Shield

*Application*

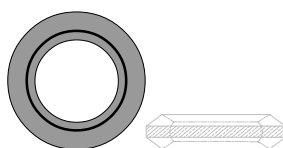
Ford

*Specifications*

inside diameter: .80"  
 outside diameter: 1.275"  
 width: .305"  
 material: Cork

D826F9K540DDA

Holder Inlet Seal

*Application*

Ford

*Specifications*

inside diameter: .43"  
 outside diameter: .715"  
 width: .21"  
 material: Rubber





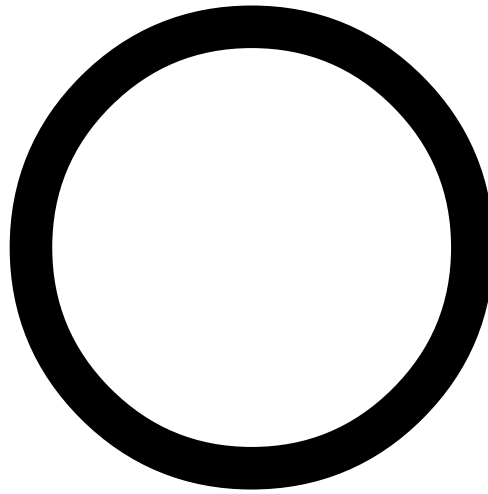
***A p p l i c a t i o n***

Denso/Komatsu

***S p e c i f i c a t i o n s***

inside diameter: 65mm  
 outside diameter: -  
 width: 5.8mm  
 material: Rubber

**Dust Seal O-Ring (Red)**



**D07000-65065**

***A p p l i c a t i o n***

Navistar

***S p e c i f i c a t i o n s***

inside diameter: 3/8"  
 outside diameter: -  
 width: -  
 material: Rubber

**Fuel Line Sleeve**



**D265204R1**

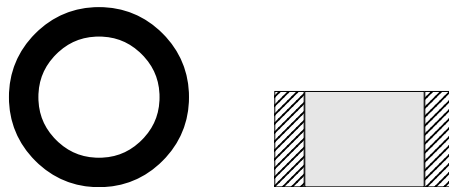
***A p p l i c a t i o n***

Navistar 9.0L

***S p e c i f i c a t i o n s***

inside diameter: .660"  
 outside diameter: .940"  
 width: .475"  
 material: Rubber

**Injector Dust Seal**



**D489120C1**



D134630H1

Fuel Line Sleeve

**Application**

Navistar 6.9L/7.3L

**Specifications**

inside diameter: 5/16"  
 outside diameter: -  
 width: -  
 material: Rubber

D144526H1

Fuel Line Sleeve

**Application**

Navistar 6.9L/7.3L

**Specifications**

inside diameter: 3/16"  
 outside diameter: -  
 width: -  
 material: Rubber

D144526H1

Fuel Line Sleeve

**Application**Navistar 6.9L/7.3L/9.0L/DT360/  
DT466**Specifications**

inside diameter: 3/8"  
 outside diameter: -  
 width: -  
 material: Rubber

D915500R1

Fuel Line Sleeve

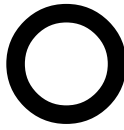
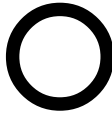
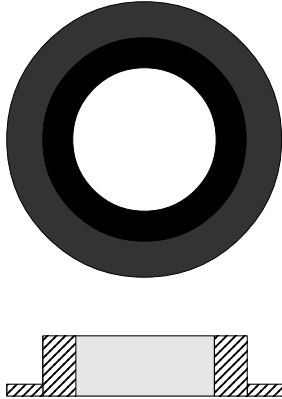
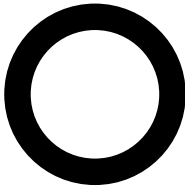
**Application**

Navistar DT466

**Specifications**

inside diameter: 1/4"  
 outside diameter: -  
 width: -  
 material: Rubber



<p><b>Application</b> Navistar 6.9L/7.3L/DT466</p> <p><b>Specifications</b> inside diameter: 7/16" outside diameter: 5/8" width: - material: Rubber</p>	<p>Return Line O-Ring</p> 	<p>D355966R1</p>
<p><b>Application</b> Navistar 6.9L/7.3L/9.0L</p> <p><b>Specifications</b> inside diameter: 7/16" outside diameter: 9/16" width: - material: Rubber</p>	<p>Fuel Inlet Fitting O-Ring</p> 	<p>D369384R1</p>
<p><b>Application</b> Perkins</p> <p><b>Specifications</b> inside diameter: - outside diameter: - width: - material: Rubber</p>	<p>Injector Dust Seal</p> 	<p>D33817114</p>
<p><b>Application</b> Toyota 1HD-T</p> <p><b>Specifications</b> inside diameter: 18.8mm outside diameter: 23.6mm width: 2.4mm material: Rubber</p>	<p>Injector Dust Seal</p> 	<p>D96711-24019</p>

**D41533****Dust Seal*****A p p l i c a t i o n***

DAF 2800

***S p e c i f i c a t i o n s***

inside diameter: 13.5mm

outside diameter: -

width: 16.9mm

material: Rubber



**Application**

single injector and various

**Specifications**

metric: 230mm x 150mm  
A/F: 9" x 6"  
thickness: 100ums

**Plastic Bag**



**D41900**

**Application**

DPA pumps and various

**Specifications**

metric: 450mm x 300mm  
A/F: 18" x 12"  
thickness: 150ums

**Plastic Bag**



**D41902**

**Application**

'PE' pump and various

**Specifications**

metric: 710mm x 455mm  
A/F: 28" x 18"  
thickness: 150ums

**Plastic Bag**



**D41904**

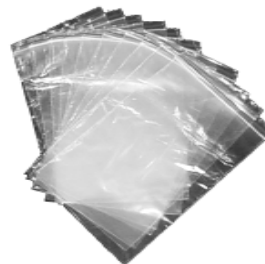
**Application**

various

**Specifications**

metric: 75mm x 50mm  
A/F: 3" x 2"  
thickness: -

**Write on Bag (self sealing)**



**D41906**

**Application**

various

**Specifications**

metric: 125mm x 75mm  
A/F: 5" x 3"  
thickness: -

**Write on Bag (self sealing)**



**D41907**

## FINISHING MATERIALS

## Plastic Bags



**DIPACO**  
**DIESEL**  
**PARTS**  
**U S A**

D41908

Write on Bag (self sealing)

*A p p l i c a t i o n*

various

*S p e c i f i c a t i o n s*

metric: 150mm x 90mm

A/F: 6" x 3 1/2"

thickness: -

D41909

Plastic Bag

*A p p l i c a t i o n*

injector sets and various

*S p e c i f i c a t i o n s*

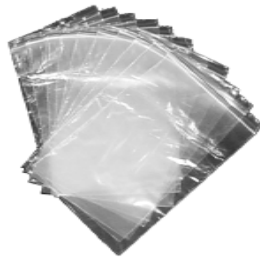
metric: 350mm x 230mm

A/F: 14" x 9"

thickness: 100ums

D41910

Write on Bag (self sealing)

*A p p l i c a t i o n*

various

*S p e c i f i c a t i o n s*




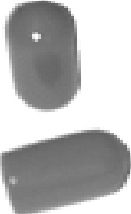

metric: 76.2mm x

101.6mm

A/F: 3" x 4"

thickness: -



<p><b>Application</b> to suit 14mm banjo bolt</p> <p><b>Specifications</b> inside diameter: 14.5mm width: 14.1mm</p>	<p>Plastic Sleeve</p> 	<p>D029911-2020</p>
<p><b>Application</b> to suit 12mm banjo bolt</p> <p><b>Specifications</b> inside diameter: 12.5mm width: 12.1mm</p>	<p>Plastic Sleeve</p> 	<p>D029911-4030</p>
<p><b>Description</b> soft, parallel 'P' type</p> <p><b>Specifications</b> metric: 6mm x 19mm A/F: 1/4" x 3/4"</p>	<p>Plastic Cap</p> 	<p>D40200</p>
<p><b>Description</b> soft, parallel long stem 'S' type</p> <p><b>Specifications</b> metric: 8mm x 22mm A/F: 5/16" x 7/8"</p>	<p>Plastic Cap</p> 	<p>D40201</p>
<p><b>Description</b> soft, 'B' size standard</p> <p><b>Specifications</b> metric: 12mm x 16mm A/F: 15/32" x 5/8"</p>	<p>Plastic Cap</p> 	<p>D40202</p>

## FINISHING MATERIALS

## Plastic Caps and Plugs



**DIPACO**  
**DIESEL**  
**PARTS**  
**U S A**

D40203

Plastic Cap

*Description*

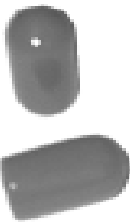
soft, 'A' size standard

*Specifications*

metric: 10mm x 16mm  
 A/F: 3/8" x 5/8"

D40204

Plastic Cap

*Description*

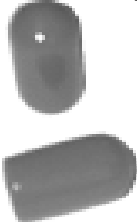
soft, leak off standard

*Specifications*

metric: 4.8mm x 12mm  
 A/F: 3/16" x 15/32"

D40205

Plastic Cap

*Description*

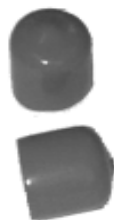
soft, various standard

*Specifications*

metric: 8mm x 16mm  
 A/F: 5/16" x 5/8"

D40206

Plastic Cap

*Description*

soft, various standard

*Specifications*

metric: 14.2mm x 16mm  
 A/F: 9/16" x 5/8"

D40207

Plastic Cap

*Description*


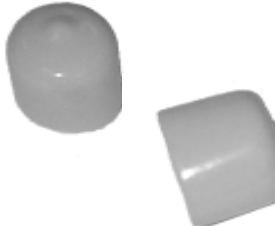
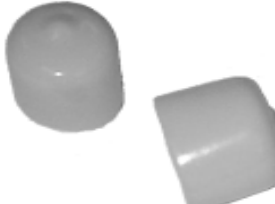


soft, parallel to suit GM injector tip

*Specifications*

metric: 8mm x 19mm  
 A/F: 5/16" x 3/4"





<p><b>Description</b> soft, standard, to suit Cummins</p> <p><b>Specifications</b> metric: 20.5mm x 19mm A/F: 13/16" x 3/4"</p>	<p>Plastic Cap (yellow)</p> 	<p>D40208</p>
<p><b>Description</b> soft, standard, to suit Cummins</p> <p><b>Specifications</b> metric: 24mm x 19mm A/F: 1" x 3/4"</p>	<p>Plastic Cap (yellow)</p> 	<p>D40209</p>
<p><b>Description</b> soft, standard, to suit Hino</p> <p><b>Specifications</b> metric: 15.9mm x 16mm A/F: 5/8" x 5/8"</p>	<p>Plastic Cap (yellow)</p> 	<p>D40210</p>
<p><b>Application</b> suit 9mm hole</p>	<p>Plastic Plug</p> 	<p>D40211</p>
<p><b>Application</b> suit 11mm hole</p>	<p>Plastic Plug</p> 	<p>D40212</p>

# FINISHING MATERIALS

## Plastic Caps and Plugs



**DIPACO**  
**DIESEL**  
**PARTS**  
**U S A**

**D40213**

**Plastic Plug**



***A p p l i c a t i o n***

suit 11.5mm hole

**D40214**

**Plastic Cap/Plug**



***A p p l i c a t i o n***

suit 'A' size pump/injector fittings and  
12mm hole

**D40215**

**Plastic Cap/Plug**



***A p p l i c a t i o n***

suit 'B' size pump/injector fittings and  
14mm hole

**D40216**

**Plastic Plug**



***A p p l i c a t i o n***

suit 14.5mm hole

**D40217**

**Plastic Plug**



***A p p l i c a t i o n***

suit 6mm hole








**DIPACO**  
**DIESEL**  
**PARTS**  
**U S A**

# FINISHING MATERIALS

## Plastic Caps and Plugs

CHAPTER 6

<p><i>Application</i> suit 16mm hole</p>	<p><b>Plastic Plug</b></p> 	<p><b>D40218</b></p>
<p><i>Application</i> suit outlet ports in Stanadyne &amp; Lucas head/rotor assemblies, also 8.3mm hole</p>	<p><b>Plastic Plug</b></p> 	<p><b>D40219</b></p>
<p><i>Application</i> suit 17mm hole</p>	<p><b>Plastic Plug</b></p> 	<p><b>D40220</b></p>
<p><i>Application</i> suit 18.4mm hole</p>	<p><b>Plastic Plug</b></p> 	<p><b>D40221</b></p>
<p><i>Application</i> suit 18.5mm hole</p>	<p><b>Plastic Plug</b></p> 	<p><b>D40222</b></p>

# FINISHING MATERIALS

## Plastic Caps and Plugs



**DIPACO**  
**DIESEL**  
**PARTS**  
**U S A**

**D40223**

**Plastic Plug (threaded)**



***A p p l i c a t i o n***

suit 1/2" UNF threads in CAV filter heads

**D40224**

**Plastic Plug**



***A p p l i c a t i o n***

suit 19.7mm hole

**D40225**

**Plastic Plug**



***A p p l i c a t i o n***

suit 30.5mm hole

**D40226**

**Plastic Plug**



***A p p l i c a t i o n***

suit 22.5mm hole

**D40227**

**Plastic Plug (threaded)**



***A p p l i c a t i o n***

suit hole with 3/8" UNF thread








**DIPACO**  
**DIESEL**  
**PARTS**  
**U S A**

# FINISHING MATERIALS

## Plastic Caps and Plugs

CHAPTER 6

<p><i>Application</i> suit 9/16" OD fittings</p>	<p>Plastic Plug</p> 	<p>D40228</p>
<p><i>Application</i> suit 7.5mm hole</p>	<p>Plastic Plug</p> 	<p>D40229</p>
<p><i>Application</i> suit 4.5mm hole</p>	<p>Plastic Plug</p> 	<p>D40230</p>
<p><i>Application</i> suit 10mm hole</p>	<p>Plastic Plug</p> 	<p>D40231</p>
<p><i>Application</i> suit 25mm hole</p>	<p>Plastic Plug</p> 	<p>D40232</p>

# FINISHING MATERIALS

## Plastic Caps and Plugs

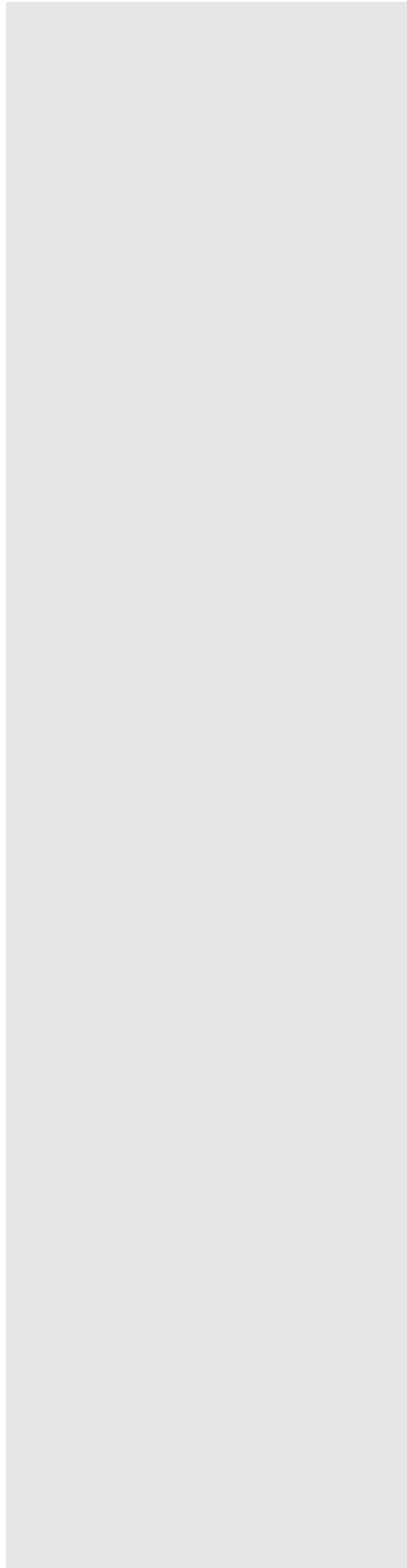
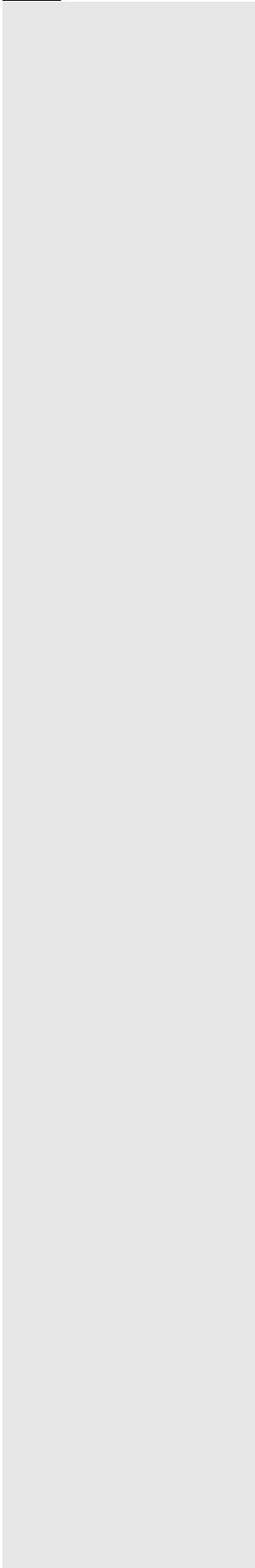
---



**DIPACO**  
**DIESEL**  
**PARTS**  

---

**U S A**





### *Specifications*

braided steel in 48mm lengths with lead seal

### Sealing Wire



**D3003156**

### *Specifications*

braided steel in 38mm lengths with lead seal

### Sealing Wire

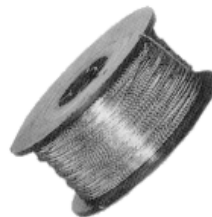


**DPE10050**

### *Specifications*

braided steel for various pumps in 100 meter roll

### Sealing Wire



**D40233**

# FINISHING MATERIALS

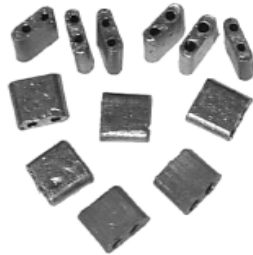
## Lead Seals, Wires and Sealing Paint



**DIPACO**  
**DIESEL**  
**PARTS**  
**U S A**

**D40234**

### Lead Seals



### *Specifications*

square seals suit various pumps

**D40235**

### Lead Seals



### *Specifications*

round seals suit various pumps

**D40236**

### Sealing Paint



### *Specifications*

blue paint for sealing various pumps

**D40237**

### Sealing Paint



### *Specifications*

yellow paint for sealing various pumps





**DIPACO**  
**DIESEL**  
**PARTS**  
**U S A**

# FINISHING MATERIALS

CHAPTER 6

## Lead Seals, Wires and Sealing Paint

### *Specifications*

green paint for sealing various pumps

### Sealing Paint

D40238



### *Specifications*

red paint for sealing various pumps

### Sealing Paint

D40239



### *Specifications*

saw tooth design

### Sealing Pliers

D40240



# FINISHING MATERIALS

## Lead Seals, Wires and Sealing Paint

---

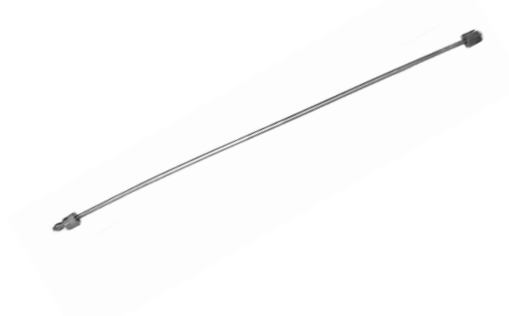
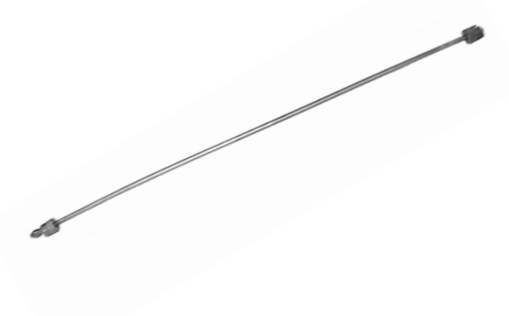
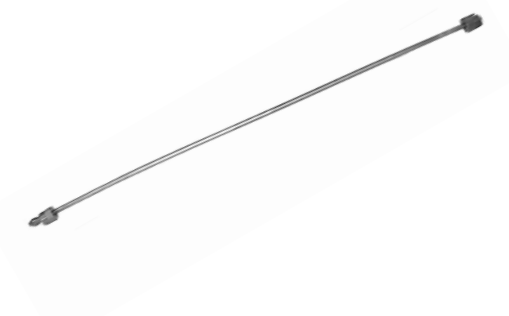
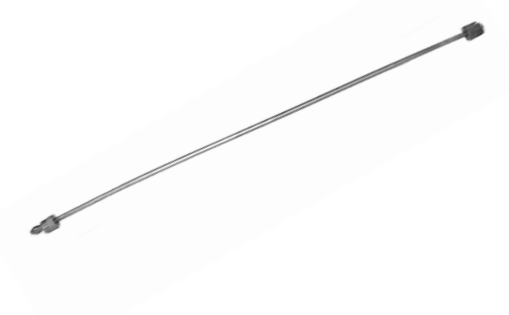


**DIPACO**  
**DIESEL**  
**PARTS**  

---

**U S A**

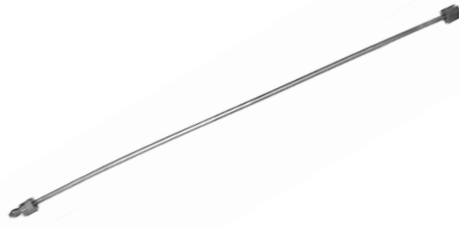


<p><b>Application</b> various</p> <p><b>Specifications</b> 6mm x 2mm x 600mm 14mm x 1.5mm &amp; 14mm x 1.5mm nuts</p>	<p><b>Injection Test Line</b></p> 	<p><b>D1 680 750 008</b></p>
<p><b>Application</b> various</p> <p><b>Specifications</b> 6mm x 2mm x 600mm 12mm x 1.5mm &amp; 14mm x 1.5mm nuts</p>	<p><b>Injection Test Line</b></p> 	<p><b>D1 680 750 014</b></p>
<p><b>Application</b> various</p> <p><b>Specifications</b> 6mm x 3mm x 600mm 14mm x 1.5mm &amp; 14mm x 1.5mm nuts</p>	<p><b>Injection Test Line</b></p> 	<p><b>D1 680 750 015</b></p>
<p><b>Application</b> various</p> <p><b>Specifications</b> 6mm x 2mm x 840mm 12mm x 1.5mm &amp; 14mm x 1.5mm nuts</p>	<p><b>Injection Test Line</b></p> 	<p><b>D1 680 750 017</b></p>



D1 680 750 073

Injection Test Line

*Application*

various

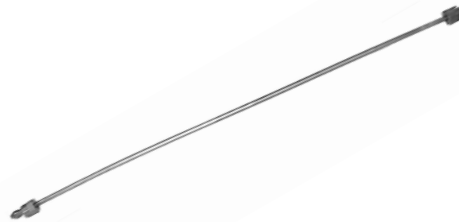
*Specifications*

6mm x 2mm x 450mm

12mm x 1.5mm & 14mm x 1.5mm  
nuts

D1 680 750 075

Injection Test Line

*Application*

various

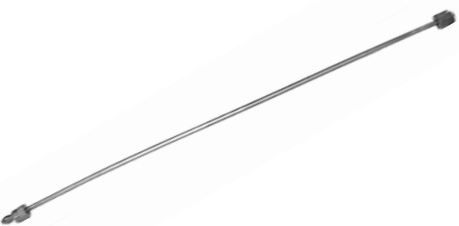
*Specifications*

8mm x 3mm x 1000mm

14mm x 1.5mm & 14mm x 1.5mm  
nuts

D1 680 750 085

Injection Test Line

*Application*

various

*Specifications*

6mm x 1.6mm x 350mm

12mm x 1.5mm & 14mm x 1.5mm  
nuts

D42000

High Pressure Injection Tube

*Application*

various

*Specifications*

6mm x 2mm x 1.8meter length



***A p p l i c a t i o n***

various

***S p e c i f i c a t i o n s***

6mm x 3mm x 2.0 meter length

**High Pressure Injection Tube**



**D42001**

***A p p l i c a t i o n***

various

***S p e c i f i c a t i o n s***

8mm x 3mm x 1.8 meter length

**High Pressure Injection Tube**



**D42002**

***A p p l i c a t i o n***

various

***S p e c i f i c a t i o n s***

6mm x 1.5mm x 2.0 meter length

**High Pressure Injection Tube**



**D42003**

***A p p l i c a t i o n***

various

***S p e c i f i c a t i o n s***

6mm x 2mm x 6 meter roll (approx)

**High Pressure Injection Tube**



**D42010**



D42011

High Pressure Injection Tube

*Application*

various

*Specifications*

6mm x 3mm x 6 meter roll (approx)

D42014

Leak-off Tubing

*Application*

VW, Golf, Mercedes &amp; Bukh engines

*Specifications*

inside diameter: 3.2mm

outside diameter: 7mm

D42015

Leak-off Tubing

*Application*

various

*Specifications*

inside diameter: 3mm

outside diameter: 7mm

D42016

Leak-off Tubing

*Application*





various

*Specifications*

inside diameter: 4.5mm

outside diameter: 9.5mm



<p><b>Application</b> various</p> <p><b>Specifications</b> inside diameter: 5.5mm outside diameter: 10.5mm</p>	<p><b>Low Pressure Fuel Tubing</b></p> 	<p><b>D42017</b></p>
<p><b>Application</b> various</p> <p><b>Specifications</b> 6mm x 2mm x 845mm 12mm x 1.5mm &amp; 14mm x 1.5mm nuts</p>	<p><b>Injection Test Line (insulated)</b></p> 	<p><b>D42022</b></p>
<p><b>Application</b> various</p> <p><b>Specifications</b> 6mm x 2mm x 600mm 12mm x 1.5mm &amp; 14mm x 1.5mm nuts</p>	<p><b>Injection Test Line (insulated)</b></p> 	<p><b>D42023</b></p>
<p><b>Application</b> various</p> <p><b>Specifications</b> 6mm x 2mm x 450mm 12mm x 1.5mm &amp; 14mm x 1.5mm nuts</p>	<p><b>Injection Test Line (insulated)</b></p> 	<p><b>D42024</b></p>

**D42020****Low Pressure Fuel Tubing***A p p l i c a t i o n*

various

*S p e c i f i c a t i o n s*

inside diameter: 9mm

outside diameter: 15mm





***A p p l i c a t i o n***

various

***S p e c i f i c a t i o n s***

thread: 8mm x 1mm

**Banjo Bolt**



D029730-8190

***A p p l i c a t i o n***

various

***S p e c i f i c a t i o n s***

thread: 14mm x 1.5mm

**Banjo Bolt (with filter)**



D152300-3620

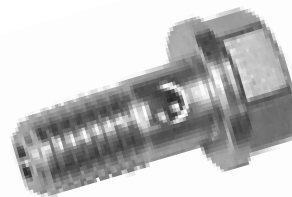
***A p p l i c a t i o n***

various

***S p e c i f i c a t i o n s***

thread: 8mm x 1.25mm

**Banjo Bolt**



D139808-0000

***A p p l i c a t i o n***

various

***S p e c i f i c a t i o n s***

thread: 10mm x 1.5mm  
with 0.5mm  
orifice

**Banjo Bolt (with orifice)**



D7111-135

# BANJO BOLTS



**DIPACO**  
**DIESEL**  
**PARTS**  
**U S A**

**D2 434 456 018**

**Banjo Bolt (with filter)**



***A p p l i c a t i o n***

various

***S p e c i f i c a t i o n s***

thread: 14mm x 1.5mm

**D2 433 456 020**

**Banjo Bolt**



***A p p l i c a t i o n***

various

***S p e c i f i c a t i o n s***

thread: 6mm x 1mm

**D2 911 201 701**

**Banjo Bolt**



***A p p l i c a t i o n***

various

***S p e c i f i c a t i o n s***

thread: 10mm x 1mm

**D2 911 201 702**

**Banjo Bolt**



***A p p l i c a t i o n***

various

***S p e c i f i c a t i o n s***

thread: 12mm x 1.5mm



***Application***

various

***Specifications***

thread: 14mm x 1.5mm

**Banjo Bolt**



**D2 911 201 703**

***Application***

various

***Specifications***

thread: 16mm x 1.5mm

**Banjo Bolt**



**D2 911 201 704**

***Application***

various

***Specifications***

thread: 18mm x 1.5mm

**Banjo Bolt**



**D2 911 202 705**

***Application***

various

***Specifications***

thread: 8mm x 1mm

**Leak-off Banjo Bolt**



**D2 911 235 700**

# BANJO BOLTS



**DIPACO**  
**DIESEL**  
**PARTS**  
**U S A**

**D42112**

**Double Banjo Bolt**



***A p p l i c a t i o n***

various

***S p e c i f i c a t i o n s***

thread: 8mm x 1.25mm

**D42113**

**Double Banjo Bolt**



***A p p l i c a t i o n***

various

***S p e c i f i c a t i o n s***

thread: 8mm x 1mm

**D42115**

**Double Banjo Bolt**



***A p p l i c a t i o n***

various

***S p e c i f i c a t i o n s***

thread: 14mm x 1.5mm

**D42116**

**Double Banjo Bolt**



***A p p l i c a t i o n***

various

***S p e c i f i c a t i o n s***

thread: 12mm x 1mm



***Application***

various

***Specifications***

thread: 12mm x 1.25mm

**Double Banjo Bolt**



**D42117**

***Application***

various

***Specifications***

thread: 8mm x 1mm

**Triple Banjo Bolt**



**D42118**

***Application***

various

***Specifications***

thread: 10mm x 1mm

**Double Banjo Bolt**



**D42119**

***Application***

various

***Specifications***

thread: 10mm x 1.25mm

**Double Banjo Bolt**



**D42120**

# BANJO BOLTS



**DIPACO**  
**DIESEL**  
**PARTS**  
**U S A**

**D42126**

**Banjo Bolt**



***A p p l i c a t i o n***

various

***S p e c i f i c a t i o n s***

thread: 10mm x 1.25mm

**D42127**

**Banjo Bolt**



***A p p l i c a t i o n***

various

***S p e c i f i c a t i o n s***

thread: 12mm x 1.25mm

**D42129**

**Banjo Bolt**



***A p p l i c a t i o n***

various

***S p e c i f i c a t i o n s***

thread: 10mm x 1.5mm

**D42131**

**Double Banjo Bolt**



***A p p l i c a t i o n***

various

***S p e c i f i c a t i o n s***

thread: 12mm x 1.5mm



***A p p l i c a t i o n***

various Lucas/CAV injectors

***S p e c i f i c a t i o n s***

thread: 8mm x 0.75mm

**Leak-off Banjo Bolt**



**D7008-188**

***A p p l i c a t i o n***

various Lucas/CAV injectors

***S p e c i f i c a t i o n s***

thread: 8mm x 0.75mm

**Leak-off Banjo Bolt**



**D7008-188C**

***A p p l i c a t i o n***

various Lucas Filter Heads

***S p e c i f i c a t i o n s***

thread: 10mm x 1.5mm

**Banjo Bolt (with orifice)**



**D7111-135A**

***A p p l i c a t i o n***

various Lucas Filter Heads

***S p e c i f i c a t i o n s***

thread: 1/2" UNF

**Banjo Bolt**



**D7111-308**

# BANJO BOLTS



**DIPACO**  
**DIESEL**  
**PARTS**  
**U S A**

**D7123-339D**

**Banjo Bolt**



***A p p l i c a t i o n***

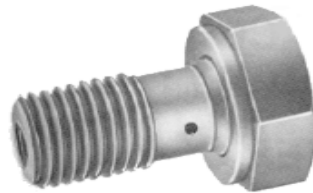
various - mainly DPA high pressure outlet

***S p e c i f i c a t i o n s***

thread: 3/8" UNF

**D7169-43**

**Leak-off Banjo Bolt**



***A p p l i c a t i o n***

various

***S p e c i f i c a t i o n s***

thread: 5/16" UNF

**D772044**

**Leak-off Banjo Bolt**



***A p p l i c a t i o n***

various

***S p e c i f i c a t i o n s***

thread: 8mm x 1.25mm

**D949180-0630**

**Banjo Bolt**



***A p p l i c a t i o n***

various Denso

***S p e c i f i c a t i o n s***

thread: 8mm x 1mm





***Application***

8mm tube

***Specifications***

inside diameter: 12mm  
width: 11.9mm  
barb: -

**Banjo**



**D1 903 385 007**

***Application***

10mm tube

***Specifications***

inside diameter: 14mm  
width: 13.8mm  
barb: -

**Banjo**



**D1 903 385 009**

***Application***

various

***Specifications***

inside diameter: 14mm  
width: 14.1mm  
barb: 8mm

**Single Barb Banjo**



**D42400**

***Application***

various

***Specifications***

inside diameter: 14mm  
width: 14.1mm  
barb: 8mm

**Single Barb Banjo**



**D42401**



D42402

Single Barb Banjo

*A p p l i c a t i o n*

various

*S p e c i f i c a t i o n s*
inside diameter: 14mm  
width: 14.1mm  
barb: 10mm

D42403

Single Barb Banjo

*A p p l i c a t i o n*

various

*S p e c i f i c a t i o n s*
inside diameter: 12mm  
width: 12.1mm  
barb: 8mm

D42404

Single Barb Banjo

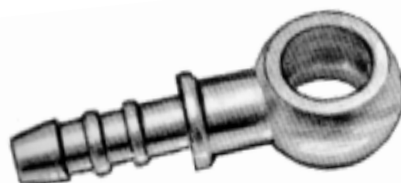
*A p p l i c a t i o n*

various

*S p e c i f i c a t i o n s*
inside diameter: 12mm  
width: 12.1mm  
barb: 4mm

D42405

Single Barb Banjo

*A p p l i c a t i o n*

various

*S p e c i f i c a t i o n s*
inside diameter: 10mm  
width: 10mm  
barb: 6mm



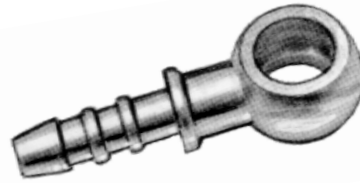
***A p p l i c a t i o n***

various

***S p e c i f i c a t i o n s***

inside diameter: 8mm  
width: 8mm  
barb: 6mm

**Single Barb Banjo**



**D42406**

***A p p l i c a t i o n***

various

***S p e c i f i c a t i o n s***

inside diameter: 6mm  
width: 8mm  
barb: 4mm

**Single Barb Banjo**



**D42407**

***A p p l i c a t i o n***

various

***S p e c i f i c a t i o n s***

inside diameter: 6mm  
width: 7.1mm  
barb: 4mm

**Dual Barb Banjo**



**D42409**

***A p p l i c a t i o n***

various

***S p e c i f i c a t i o n s***

inside diameter: 8mm  
width: 9.9mm  
barb: 4mm

**Dual Barb Banjo**



**D42410**



D42411

Single Barb Banjo

*Application*

various

*Specifications*
inside diameter: 8mm  
width: 10mm  
barb: 4mm

D42412

Single Barb Banjo

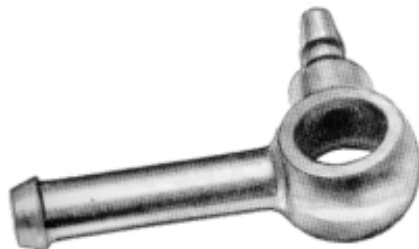
*Application*

various

*Specifications*
inside diameter: 10mm  
width: 10mm  
barb: 4mm

D42413

Dual Barb Banjo

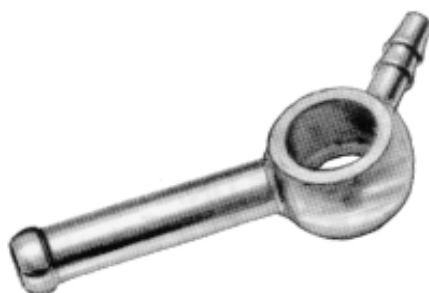
*Application*

various

*Specifications*
inside diameter: 12mm  
width: 12mm  
barb: 4 & 8mm

D42414

Dual Barb Banjo

*Application*

various

*Specifications*
inside diameter: 12mm  
width: 12mm  
barb: 4 & 8mm



***Application***

various

***Specifications***

inside diameter: 12mm  
width: 12.1mm  
barb: 4mm

**Dual Barb Banjo**



**D42415**

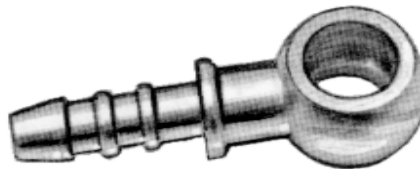
***Application***

various

***Specifications***

inside diameter: 10mm  
width: 11.5mm  
barb: 8mm

**Single Barb Banjo**



**D42416**

***Application***

various

***Specifications***

inside diameter: 12mm  
width: 12.1mm  
barb: 8 (90deg) & 4mm

**Pipe Bend**



**D42417**

***Application***

various

***Specifications***

inside diameter: 12mm  
width: 12mm  
barb: 10mm

**Single Barb Banjo**



**D42418**



D42422

Single Barb Banjo

*A p p l i c a t i o n*

various

*S p e c i f i c a t i o n s*
inside diameter: 8mm  
width: 7.8mm  
barb: 5mm

D42423

Single Barb Banjo

*A p p l i c a t i o n*

various

*S p e c i f i c a t i o n s*
inside diameter: 10mm  
width: 9.9mm  
barb: 6mm

D42425

Single Barb Banjo

*A p p l i c a t i o n*

various

*S p e c i f i c a t i o n s*
inside diameter: 16mm  
width: 15.9mm  
barb: 10mm

D42426

Single Barb Banjo

*A p p l i c a t i o n*

various

*S p e c i f i c a t i o n s*
inside diameter: 14mm  
width: 13.8mm  
barb: 6mm



### *Application*

various

### *Specifications*

inside diameter: 14mm  
width: 13.9mm  
barb: 8mm

### Single Barb Banjo



D42427

### *Application*

various

### *Specifications*

inside diameter: 12mm  
width: 11.9mm  
barb: 8mm/90deg

### Pipe Bend



D42428

### *Application*

various

### *Specifications*

inside diameter: 14mm  
width: 13.9mm  
barb: 10mm/90deg

### Pipe Bend



D42429

### *Application*

various

### *Specifications*

inside diameter: 12mm  
width: 11.9mm  
barb: 8mm/90deg

### Single Barb Banjo



D42430



D42431

Pipe Bend

*A p p l i c a t i o n*

various

*S p e c i f i c a t i o n s*
inside diameter: 14mm  
width: 13.9mm  
barb: 10mm/90deg

D42432

Single Barb Banjo

*A p p l i c a t i o n*

various

*S p e c i f i c a t i o n s*
inside diameter: 1/2"  
width: 12.1mm  
barb: 8mm

D150620-0300

Banjo (Leak-off)

*A p p l i c a t i o n*

Nissan

*S p e c i f i c a t i o n s*
inside diameter: 12.15mm  
width: 6mm  
barb: -





**Application**  
 various Denso

**Specifications**  
 thread: 14mm x 1.5mm  
 pressure: 1.6 kg/cm  
 length: 51.8mm



D090310-0011

**Application**  
 various Denso

**Specifications**  
 thread: 14mm x 1.5mm  
 pressure: 2.6 kg/cm  
 length: 39.8mm



D090310-0110

**Application**  
 various Denso

**Specifications**  
 thread: 14mm x 1.5mm  
 pressure: 2.6 kg/cm  
 length: 39.4mm

Overflow Valve (stamping 22)



D090310-0220

**Application**  
 various Denso VE pumps

**Specifications**  
 thread: 12mm x 1.5mm  
 pressure: -  
 length: 30mm

Overflow Valve



D096020-0030

# OVERFLOW AND NON-RETURN VALVES



**DIPACO**  
**DIESEL**  
**PARTS**  
**U S A**

**D096020-0180**

**Valve**



**Application**

various Denso VE pumps

**Specifications**

thread: 12mm x 1.5mm

pressure: -

length: 30mm

**D1 417 413 047**

**Valve**



**Application**

various Bosch

**Specifications**

thread: 14mm x 1.5mm

pressure: 1.3 - 1.8 bar

length: 36mm

**D1 463 456 303**

**Overflow Valve**



**Application**

various Bosch VE pumps

**Specifications**

thread: 12mm x 1.5mm

orifice: 0.55mm

length: 29.2mm

**D1 463 456 344**

**Valve**



**Application**

various Bosch VE pumps

**Specifications**

thread: 12mm x 1.5mm

orifice: 0.75mm

length: 29mm



<p><b>Application</b>          various Zexel</p> <p><b>Specifications</b>          thread: 14mm x 1.5mm          pressure: -          length: 38.2mm</p>	<p><b>Overflow Valve (stamping A15)</b></p>	<p><b>D131424-1520</b></p>
<p><b>Application</b>          various Zexel</p> <p><b>Specifications</b>          thread: 14mm x 1.5mm          pressure: -          length: 38.2mm</p>	<p><b>Overflow Valve (stamping A34)</b></p>	<p><b>D131424-3420</b></p>
<p><b>Application</b>          Isuzu (6BB1, 6BD1, 6BG1 etc)</p> <p><b>Specifications</b>          thread: 14mm x 1.5mm          pressure: -          length: 52mm</p>	<p><b>Overflow Valve</b></p>	<p><b>D131424-4920</b></p>
<p><b>Application</b>          various Zexel</p> <p><b>Specifications</b>          thread: 14mm x 1.5mm          pressure: -          length: 43.2mm</p>	<p><b>Overflow Valve (stamping A51)</b></p>	<p><b>D131424-5120</b></p>

# OVERFLOW AND NON-RETURN VALVES



**DIPACO**  
**DIESEL**  
**PARTS**  
**U S A**

**D131424-5520**

**Overflow Valve (stamping A55)**



***A p p l i c a t i o n***

various Zexel

***S p e c i f i c a t i o n s***

thread: 14mm x 1.5mm

pressure: -

length: 43.2mm

**D131424-6220**

**Overflow Valve (stamping A62)**



***A p p l i c a t i o n***

various Zexel

***S p e c i f i c a t i o n s***

thread: 14mm x 1.5mm

pressure: -

length: 43.2mm

**D131424-7120**

**Overflow Valve**



***A p p l i c a t i o n***

various Zexel

***S p e c i f i c a t i o n s***

thread: 14mm x 1.5mm

pressure: -

length: 55.5mm

**D132424-0620**

**Overflow Valve (stamping 16)**



***A p p l i c a t i o n***

various Zexel

***S p e c i f i c a t i o n s***

thread: 14mm x 1.5mm

pressure: -

length: 46mm



***A p p l i c a t i o n***

various Zexel

***S p e c i f i c a t i o n s***

thread: 12mm x 1.5mm  
pressure: -  
length: 41.7mm

**Overflow Valve (stamping P09)**



**D134424-0920**

***A p p l i c a t i o n***

various Zexel

***S p e c i f i c a t i o n s***

thread: 14mm x 1.5mm  
pressure: -  
length: 43.2mm

**Overflow Valve (stamping P13)**



**D134424-1320**

***A p p l i c a t i o n***

various Zexel VE pumps

***S p e c i f i c a t i o n s***

thread: 12mm x 1.5mm  
pressure: -  
length: 29mm

**Overflow Valve**



**D146120-0020**

***A p p l i c a t i o n***

various Zexel VE pumps

***S p e c i f i c a t i o n s***

thread: 12mm x 1.5mm  
pressure: -  
length: 43.1mm

**Overflow Valve**



**D146120-0120**

# OVERFLOW AND NON-RETURN VALVES



**DIPACO**  
**DIESEL**  
**PARTS**  
**U S A**

**D146120-0220**

**Overflow Valve**



***A p p l i c a t i o n***

various Zexel VE pumps

***S p e c i f i c a t i o n s***

thread: 12mm x 1.5mm

pressure: -

length: 29mm

**D146120-1520**

**Overflow Valve**



***A p p l i c a t i o n***

various Zexel VE pumps

***S p e c i f i c a t i o n s***

thread: 12mm x 1.5mm

pressure: -

length: 29mm

**D2 413 359 008**

**Overflow Valve**



***A p p l i c a t i o n***

Mack 8500 series

***S p e c i f i c a t i o n s***

thread: 14mm x 1.5mm

pressure: -

length: 30mm

**D2 417 413 035**

**Overflow Valve**



***A p p l i c a t i o n***

various Bosch

***S p e c i f i c a t i o n s***

thread: 14mm x 1.5mm

pressure: 0.5 - 1.0 bar

length: 36mm



**Application**  
 various Bosch

**Specifications**  
 thread: 16mm x 1.5mm  
 pressure: 1.3 - 1.8 bar  
 length: 26.5mm

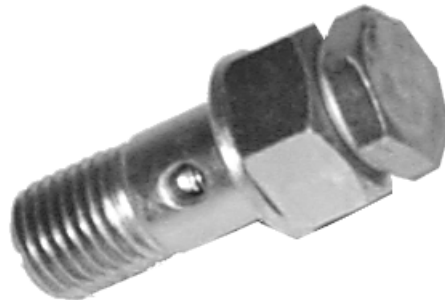


Overflow Valve

D2 417 413 037

**Application**  
 Cummins P-7100 pumps

**Specifications**  
 thread: 12mm x 1.5mm  
 pressure: -  
 length: 40.5mm

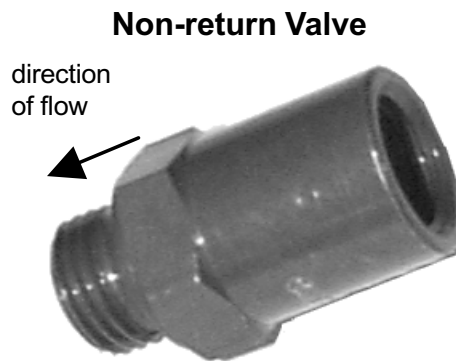


Overflow Valve

D2 417 413 093

**Application**  
 various

**Specifications**  
 male inlet: 1/2" UNF  
 female outlet: 1/2" UNF  
 pressure: 0.2 bar at 90 LPH  
 length: 37mm

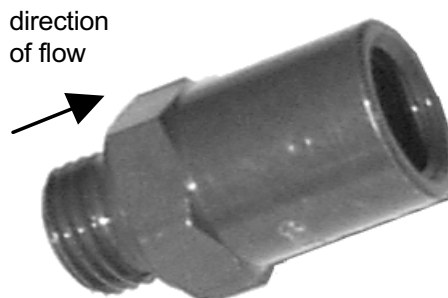


Non-return Valve

D7111-768

**Application**  
 various

**Specifications**  
 male inlet: 1/2" UNF  
 female outlet: 1/2" UNF  
 pressure: 0.2 bar at 90 LPH  
 length: 37mm



Non-return Valve

D7111-769

# OVERFLOW AND NON-RETURN VALVES



**DIPACO**  
**DIESEL**  
**PARTS**  
**U S A**

**D7111-775**

**Non-return Valve**

direction  
of flow



**Application**

various

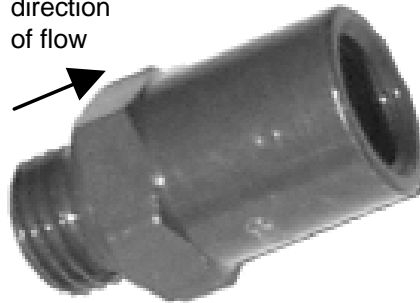
**Specifications**

male inlet: 1/2" UNF  
female outlet: 10mm x 1.5mm  
pressure: 0.2 bar at 90 LPH  
length: 37mm

**D7111-776**

**Non-return Valve**

direction  
of flow



**Application**

various

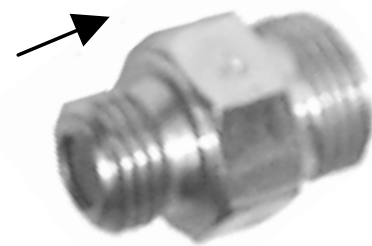
**Specifications**

male inlet: 14mm x 1.5mm  
female outlet: 14mm x 1.5mm  
pressure: 0.2 bar at 90 LPH  
length: 37mm

**D7111-988**

**Non-return Valve**

direction  
of flow



**Application**

various

**Specifications**

male inlet: 14mm x 1.5mm  
female outlet: 16mm x 1.5mm  
pressure: 0.9 bar at 90 LPH  
length: 29.5mm

**DFI 8527A**

**Overflow Valve**



**Application**

various AMBAC model 100 pumps

**Specifications**

thread: -





**Application**

Isuzu filter

**Specifications**

thread: 14mm x 1.5mm  
pressure: -  
length: 30mm

**Overflow Valve**



**D1-13260047-0**

**Application**

various Bosch

**Specifications**

thread: 14mm x 1.5mm  
pressure: 1.2 - 1.5 bar  
length: 39mm

**Overflow Valve**



**D1 417 413 000**

**Application**

various Bosch

**Specifications**

thread: 14mm x 1.5mm  
pressure: 1.2 - 1.5 bar  
length: 39.5mm

**Overflow Valve**



**D1 417 413 025**

**Application**

various Bosch

**Specifications**

thread: 12mm x 1.5mm  
pressure: 1.0 - 1.5 bar  
length: 36mm

**Overflow Valve**



**D1 417 413 046**

# OVERFLOW AND NON-RETURN VALVES



**DIPACO**  
**DIESEL**  
**PARTS**  
**U S A**

D1 417 413 048

Overflow Valve



***A p p l i c a t i o n***

various Bosch

***S p e c i f i c a t i o n s***

thread: 14mm x 1.5mm  
pressure: 0.2 - 0.3 bar  
length: 36mm

D1 417 413 049

Overflow Valve



***A p p l i c a t i o n***

various Bosch

***S p e c i f i c a t i o n s***

thread: 14mm x 1.5mm  
pressure: 0.5 - 1.0 bar  
length: 53.5mm

D1 457 413 010

Overflow Valve



***A p p l i c a t i o n***

various Bosch

***S p e c i f i c a t i o n s***

thread: 14mm x 1.5mm  
pressure: 1.0 - 1.5 bar  
length: 38.5mm

D1 457 413 013

Overflow Valve






***A p p l i c a t i o n***

various Bosch

***S p e c i f i c a t i o n s***

thread: 14mm x 1.5mm  
pressure: 0.5 - 1.0 bar  
length: 38.5mm



<p><b>Application</b> various Bosch</p> <p><b>Specifications</b> thread: 14mm x 1.5mm pressure: 1.3 - 1.8 bar length: 40.5mm</p>	<p><b>Overflow Valve</b></p> 	<p><b>D2 417 413 013</b></p>
<p><b>Application</b> various</p> <p><b>Specifications</b> 10mm barbs</p>	<p><b>Non-return Valve</b></p> 	<p><b>D42100</b></p>
<p><b>Application</b> various</p> <p><b>Specifications</b> 8mm barbs</p>	<p><b>Non-return Valve</b></p> 	<p><b>D42101</b></p>
<p><b>Application</b> various</p> <p><b>Specifications</b> 6mm barbs</p>	<p><b>Overflow Valve</b></p> 	<p><b>D42102</b></p>

# OVERFLOW AND NON-RETURN VALVES



**DIPACO**  
**DIESEL**  
**PARTS**  
**U S A**

**D42103**

**Overflow Valve**



***A p p l i c a t i o n***

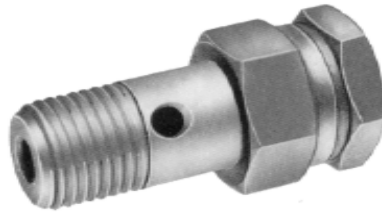
various

***S p e c i f i c a t i o n s***

8mm & 6mm barbs

**D758065**

**Overflow Valve**



***A p p l i c a t i o n***

various Fiat pumps

***S p e c i f i c a t i o n s***

thread: 14mm x 1.5mm

pressure: 1.2 - 1.5 bar

length: 44.5mm

**D2 417 413 046**

**Overflow Valve**

photo will  
be available  
in following  
update

***A p p l i c a t i o n***

various Bosch

***S p e c i f i c a t i o n s***

thread: 14mm x 1.5mm

pressure: 1.3 - 1.8 bar

length: 38.5mm

**D131424-4620**

**Overflow Valve (stamping A46)**

photo will  
be available  
in following  
update

***A p p l i c a t i o n***

various Zexel

***S p e c i f i c a t i o n s***

thread: 14mm x 1.5mm

pressure: -

length: 43.2mm



***A p p l i c a t i o n***

various Bosch VA pumps

***S p e c i f i c a t i o n s***

thread: 12mm x 1.5mm  
pressure: .4BAR  
length: 29.2mm

**Overflow Valve**

photo will  
be available  
in following  
update

**D1 467 413 004**

***A p p l i c a t i o n***

various

***S p e c i f i c a t i o n s***

thread: 1/4" pipe  
pressure: 100 psi

**Fuel Return Check Valve**



**DPE10514**

***A p p l i c a t i o n***

various

***S p e c i f i c a t i o n s***

thread: 1/8" pipe  
pressure: 100 psi

**Fuel Return Check Valve**



**DPE10518**

# OVERFLOW AND NON-RETURN VALVES

---



**DIPACO**  
**DIESEL**  
**PARTS**  

---

**U S A**



***Application***

6mm injector line

***Specifications***

6mm

**Ermeto Sleeve**



**D2 916 673 003**

***Application***

1/4" injector line

***Specifications***

1/4"

**Ermeto Sleeve**



**D4501149**

***Application***

suit 1/4" injector line

***Specifications***

thread: 9/16" UNF

**Nut**



**D4504409**

***Application***

suit 1/4" injection line

***Specifications***

inside diameter: 6.5mm  
length: 12.8mm  
material: Steel

**Support Sleeve ('A' size)**



**DPE44442**



DPE44443

Support Sleeve ('B' size)

**Application**

suit 1/4" injection line

**Specifications**
inside diameter: 6.5mm  
length: 12.8mm  
material: Steel

DPE44444

Injector Line Nut ('B' size)

**Application**

1/4" injection line

**Specifications**

thread: 14mm x 1.5mm

DPE44445

Injector Line Nut ('A' size)

**Application**

1/4" injection line

**Specifications**

thread: 12mm x 1.5mm

DPE44446

Injector Line Nut

**Application**

suit 1/4" injector line

**Specifications**

thread: 9/16" UNF





**Application**

suit 6mm injector line

**Specifications**

inside diameter: 6.1mm  
 outside diameter: 12mm  
 thickness: 2.7mm

**Collar ('B' size)**



**D1 410 103 023**

**Application**

suit 6mm injector line

**Specifications**

inside diameter: 6.1mm  
 outside diameter: 10mm  
 thickness: 2.7mm

**Collar ('A' size)**



**D1 410 103 025**

**Application**

various

**Specifications**

thread: 12mm x 1.5mm

**Injector Line Nut**



**D24545**

**Application**

suit 6mm injector line

**Specifications**

material: steel

**Olive**



**D24899**



D42631

Fuel Line Nut ('A' size)

*Application*

suit 6mm injector line

*Specifications*

thread: 12mm x 1.5mm

D42632

Fuel Line Nut ('B' size)

*Application*

suit 6mm injector line

*Specifications*

thread: 14mm x 1.5mm

D42633

Fuel Line Nut ('T' size)

*Application*

suit 8mm injector line

*Specifications*

thread: 18mm x 1.5mm

D42634

Olive/Sleeve/Nut ('A' size)


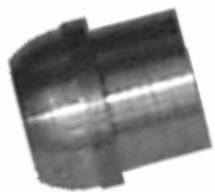
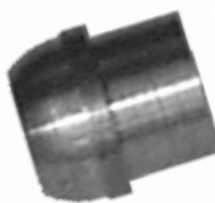

*Application*

suit 6mm injector line

*Specifications*

thread: 12mm x 1.5mm



<p><b>Application</b> suit 6mm injector line</p> <p><b>Specifications</b> thread: 14mm x 1.5mm</p>	<p>Olive/Sleeve/Nut ('B' size)</p> 	<p>D42635</p>
<p><b>Application</b> suit 8mm injection tube</p> <p><b>Specifications</b> inside diameter: 8.3mm outside shank diameter: 9.5mm length: 14mm</p>	<p>Fuel Line Sleeve (solder on type)</p> 	<p>D42646</p>
<p><b>Application</b> suit 10mm injection tube</p> <p><b>Specifications</b> inside diameter: 10.2mm outside shank diameter: 11.5mm length: 14mm</p>	<p>Fuel Line Sleeve (solder on type)</p> 	<p>D42647</p>
<p><b>Application</b> suit 6mm injection tube (used with P42631 nut)</p> <p><b>Specifications</b> suit 12mm nut inside diameter: 6mm length: 18.7mm</p>	<p>Nipple/Sleeve (solder on type 'A' size)</p> 	<p>D42648</p>



D42649

Nipple/Sleeve  
(solder on type 'B' size)

**Application**

suit 6mm injection tube  
(used with P42632 nut)

**Specifications**

inside diameter: 6mm  
length: 20mm

D42650

Nipple/Sleeve  
(solder on type 'T' size)

**Application**

suit 8mm injection tube  
(used with P42633 nut)

**Specifications**

inside diameter: 8mm  
length: 36mm

D42651

Support Sleeve ('A' size)

**Application**

suit 6mm injection tube  
(used with P42631 nut)

**Specifications**

inside diameter: 6mm  
length: 12.2mm

D42652

Support Sleeve ('B' size)

**Application**

suit 6mm injection tube  
(used with P42652 nut)

**Specifications**

inside diameter: 6mm  
length: 12.2mm



***Application***

suit 6mm injection tube

***Specifications***

inside diameter: 8.1mm  
outside diameter: 15mm  
thickness: 7mm

**Collar ('T' size)**



**D42657**

***Application***

suit 6mm injection line, used with  
P42634 & P42635

***Specifications***

inside diameter: 6.1mm  
length: 10.6mm

**Support Sleeve**



**D42661**

***Application***

suit 5.8mm injection tube

***Specifications***

material: Steel

**Olive**



**D42667**

***Application***

part of P42634

***Specifications***

material: Steel

**Olive ('A' size)**



**D42668**



D42669

Olive ('B' size)

*Application*

part of P42652

*Specifications*

material: Steel

D7133-30

Olive

*Application*

suit 1/4" nylon, copper, steel tubing

*Specifications*

material: Brass

D7133-34

Fuel Line Nut

*Application*

various

*Specifications*

1/2" UNF x 5/16" tubing

material: Steel

D7135-47F

Fuel Line Kit

*Application*

various

*Specifications*

1/2" UNF x 5/16" tubing

material: Steel/Brass



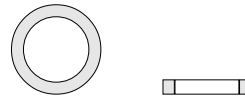
### *A p p l i c a t i o n*

John Deere (Stanadyne)

### *S p e c i f i c a t i o n s*

inside diameter: .382"  
outside diameter: .473"  
thickness: .075"  
material: Teflon

### Fuel Line Washer



**DR48511**

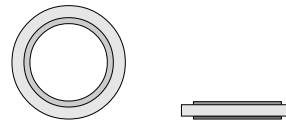
### *A p p l i c a t i o n*

Navistar 6.9L/7.3L

### *S p e c i f i c a t i o n s*

inside diameter: .470"  
outside diameter: .580"  
width: .058"  
material: Steel/Teflon

### Fuel Line Connector Washer



**D670207C1**

# FUEL LINE COMPONENTS

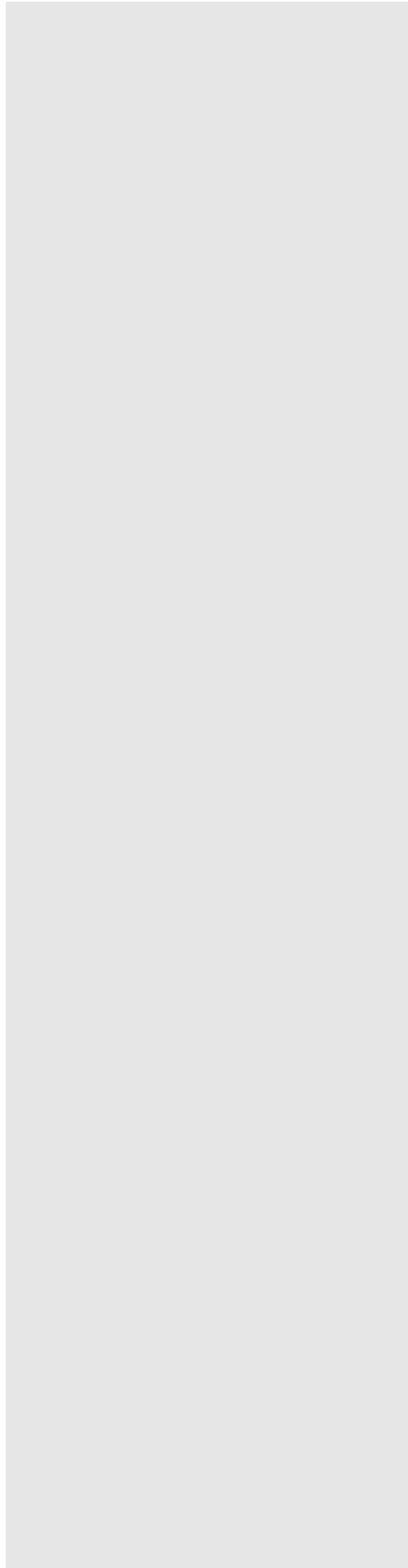
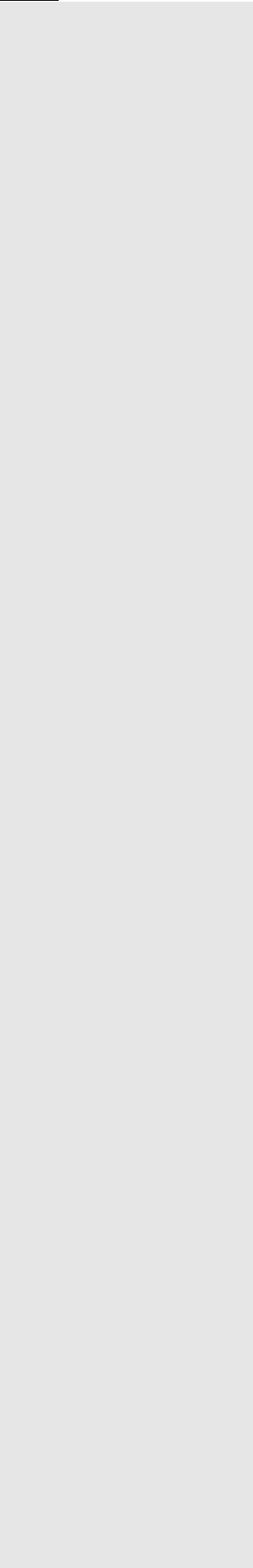
---



**DIPACO**  
**DIESEL**  
**PARTS**  

---

**U S A**







***A p p l i c a t i o n***

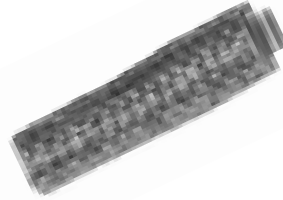
leak-off line

***S p e c i f i c a t i o n s***

inside diameter: 3.2mm

outside diameter: 7mm

**Blanking Plug**



**D42600**

***A p p l i c a t i o n***

various

***S p e c i f i c a t i o n s***

1/2" UNF x 8mm tube

**Fuel Line Elbow**



**D42601**

***A p p l i c a t i o n***

various

***S p e c i f i c a t i o n s***

N/A

**Adapter for Thermostart**



**D42603**

***A p p l i c a t i o n***

various

***S p e c i f i c a t i o n s***

10mm tube x 14mm nut

**Pipe Bend**





D42605

Pipe Bend

*A p p l i c a t i o n*

various

*S p e c i f i c a t i o n s*

10mm tube x 3/8" BSP nut

D42606

Pipe Bend

*A p p l i c a t i o n*

various

*S p e c i f i c a t i o n s*

10mm tube x 90deg plain

D42607

Adapter Union

*A p p l i c a t i o n*

various

*S p e c i f i c a t i o n s*

12mm male x 14mm female

D42608

Adapter Union

*A p p l i c a t i o n*

various

*S p e c i f i c a t i o n s*

14mm male x 12mm



***Application***

various

***Specifications***

1/2" UNF male x 14mm x 1.5mm female

**Adapter Union**



**D42609**

***Application***

various

***Specifications***

1/2" UNF female x 14mm x 1.5mm male

**Adapter Union**



**D42610**

***Application***

various

***Specifications***

8mm barb x 14mm x 1.5mm male

**Adapter Union**



**D42611**

***Application***

various

***Specifications***

8mm barb x 12mm x 1.5mm male

**Adapter Union**



**D42612**



D42613

Adapter Union

*Application*

various

*Specifications*

6mm barb x 14mm x 1.5mm male

D42614

Adapter Union

*Application*

various

*Specifications*

8mm barb x 16mm x 1.5mm male

D42615

Plug

*Application*

various

*Specifications*

thread: 14mm x 1.5mm

D42616

Tube Connector

*Application*

various

*Specifications*

8mm plain tube



***Application***

12.5mm low pressure line

***Specifications***

12.5mm x 20mm length

**Crimp Sleeve**



**D42618**

***Application***

14.5mm low pressure line

***Specifications***

14.5mm x 20mm length

**Crimp Sleeve**



**D42619**

***Application***

16mm low pressure line

***Specifications***

16mm x 20mm length

**Crimp Sleeve**



**D42620**

***Application***

17mm low pressure line

***Specifications***

17mm x 21mm length

**Crimp Sleeve**



**D42621**



D42622

Crimp Sleeve

*Application*

19mm low pressure line

*Specifications*

19mm x 21mm length

D42624

Male Adapter

*Application*

various

*Specifications*

8mm barb with 14mm x 1.5mm male

D42625

Male Adapter

*Application*

various

*Specifications*10mm barb with 16mm x 1.5mm  
male

D42626

Screw Plug

*Application*

various

*Specifications*

thread: 12mm x 1.5mm



***A p p l i c a t i o n***

used with P42678

***S p e c i f i c a t i o n s***

to suit 6mm injection lines

**Packing for 2 Pipe Clamp**



**D42676**

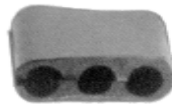
***A p p l i c a t i o n***

used with P42682

***S p e c i f i c a t i o n s***

to suit 6mm injection lines

**Packing for 3 Pipe Clamp**



**D42677**

***A p p l i c a t i o n***

to suit 6mm injection lines

**2 Pipe Clamp Assembly**

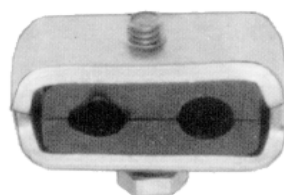


**D42678**

***A p p l i c a t i o n***

to suit 10mm steel tubing

**2 Pipe Clamp Assembly**

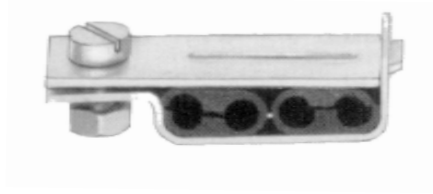


**D42679**



D42680

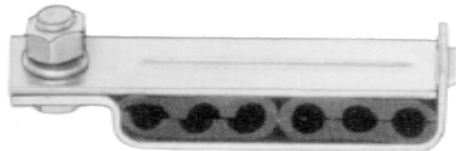
4 Pipe Clamp Assembly



*A p p l i c a t i o n*  
to suit 6mm injection lines

D42681

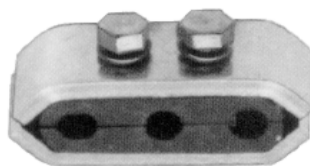
6 Pipe Clamp Assembly



*A p p l i c a t i o n*  
to suit 6mm injection lines

D42682

3 Pipe Clamp Assembly



*A p p l i c a t i o n*  
to suit 6mm injection lines

D7023-99W

Plug



*A p p l i c a t i o n*  
various

*S p e c i f i c a t i o n s*  
thread: 10mm x 1.5mm

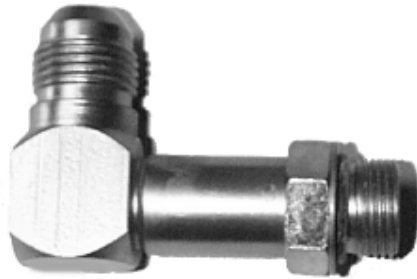




<p><i>Application</i> various</p> <p><i>Specifications</i> thread: 1/2" UNF</p>	<p><b>Filter Head Plug</b></p> 	<p><b>D7111-312</b></p>
<p><i>Application</i> various</p> <p><i>Specifications</i> 8mm barb with 1/2" UNF nut</p>	<p><b>Adapter Fitting</b></p> 	<p><b>D7176-66</b></p>
<p><i>Application</i> GM 6.2L</p>	<p><b>Hose and End Cap Clamp</b></p> 	<p><b>D10093148</b></p>
<p><i>Application</i> GM 6.2L</p>	<p><b>Nozzle Plug</b></p> 	<p><b>D14066301</b></p>
<p><i>Application</i> Mack</p>	<p><b>End Cap</b></p> 	<p><b>D49AX252</b></p>

**DPE10500****Fuel Inlet Elbow***Application*

Komatsu (replaces 6610-71-2571)



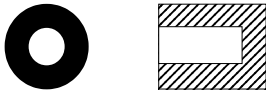
**DPE10501****Fuel Inlet Elbow***Application*

Komatsu

**DPE10502****Fuel Inlet Nut***Application*

Komatsu



<p><i>Application</i> Mack</p> <p><i>Specifications</i> diameter: .340"-.400"</p>	<p>Fuel Hose Clamp</p> 	<p>D83AX906</p>
<p><i>Application</i> Mack</p> <p><i>Specifications</i> diameter: .300"-.345"</p>	<p>Fuel Hose Clamp</p> 	<p>D83AX985</p>
<p><i>Application</i> Navistar</p>	<p>Injector Adapter (90 Degree)</p>	<p>D1811231C2</p>
<p><i>Application</i> Navistar</p>	<p>Injector Adapter (Straight)</p>	<p>D1811230C2</p>
<p><i>Application</i> Navistar 6.9L/7.3L/DT360/DT466</p>	<p>Injector Return Cap</p> 	<p>D1802452C1</p>



D1811226C1

Return Hose Clamp (red)

*A p p l i c a t i o n*

Navistar

*S p e c i f i c a t i o n s*

diameter: .460"-.545"

D1802453C1

Return Hose Clamp (green)

*A p p l i c a t i o n*

Navistar

*S p e c i f i c a t i o n s*

diameter: .375"-.450"

D1804332C1

Return Hose Adapter

*A p p l i c a t i o n*

Navistar 6.9L/7.3L

D1807947C1

Return Hose Adapter

*A p p l i c a t i o n*

Navistar 6.9L/7.3L



*Application*

Navistar 6.9L/7.3L

**Return Hose Adapter**

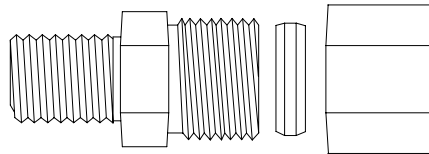


**D1805670C1**

*Application*

Navistar 6.9L/7.3L

**Restrictor Fitting**

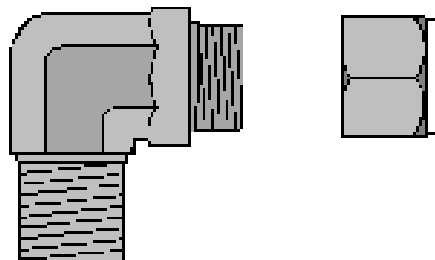


**D687426C1**

*Application*

Navistar 6.9L/7.3L

**Filter Head Outlet Fitting  
(without air bleed)**



**DPE69151**

**D42684****Fuel Line Elbow***A p p l i c a t i o n*

various

*S p e c i f i c a t i o n s*

12mm x 8mm tube

**D42685****Fuel Line Elbow***A p p l i c a t i o n*

various

*S p e c i f i c a t i o n s*

14mm x 8mm tube



<p><b>Application</b>  various Denso</p> <p><b>Specifications</b>  length: 21.4mm  width: 7mm</p>	<p>Pin</p> 	<p>D090176-0050</p>
<p><b>Application</b>  various Zexel</p> <p><b>Specifications</b>  serated edge  length: 25.7mm  width: 9mm</p>	<p>Pin</p> 	<p>D131203-0500</p>
<p><b>Application</b>  various Zexel</p> <p><b>Specifications</b>  serated edge  length: 23mm  width: 7mm</p>	<p>Pin</p> 	<p>D131203-0800</p>
<p><b>Application</b>  various Bosch</p> <p><b>Specifications</b>  length: 20.4mm  width: 7mm</p>	<p>Pin</p> 	<p>D1 413 100 021</p>



D1 413 100 031

Pin

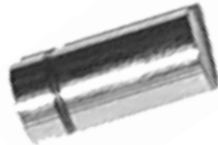
**Application**

various Bosch

**Specifications**
length: 26.5mm  
width: 7mm

D1 413 105 015

Pin

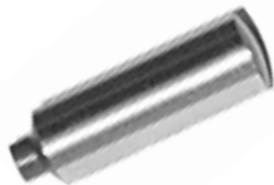
**Application**

various Bosch

**Specifications**
circlip groove  
length: 19.9mm  
width: 9mm

D1 413 120 001

Pin

**Application**

various Bosch

**Specifications**
lug one end  
length: 28.6mm  
width: 9mm

D1 413 100 001

Pin





**Application**

various Bosch

**Specifications**
length: 25.8mm  
width: 7mm





<p><b>Application</b>  various Bosch</p> <p><b>Specifications</b>  length: 24mm  width: 7mm</p>	<p>Pin</p> 	<p>D1 413 100 030</p>
<p><b>Application</b>  various Bosch</p> <p><b>Specifications</b>  length: 31.5mm  width: 12mm</p>	<p>Pin</p> 	<p>D2 413 100 000</p>
<p><b>Application</b>  various Simms</p> <p><b>Specifications</b>  length: 26.8mm  width: 7mm</p>	<p>Pin</p> 	<p>D20082</p>
<p><b>Application</b>  various Simms</p> <p><b>Specifications</b>  length: 22.5mm  width: 8mm</p>	<p>Pin</p> 	<p>D506653</p>



D7033-147

Pin

***Application***

various Lucas/CAV

***Specifications***

serrated edge

length: 26.4mm

width: 7mm

D7097-302

Pin

***Application***

various Lucas/CAV

***Specifications***

serrated edge

length: 27.4mm

width: 9mm

D133203-0400

Pin

***Application***

various Zexel (Komatsu 'ZW' pumps)

***Specifications***

length: 37mm

width: 13mm

D134203-0100

Pin

***Application***

various Zexel

***Specifications***

length: 27.5mm

width: 12mm



***Application***

various AMBAC (Mack PLM pumps)

***Specifications***

length: 37.5mm  
width: 12mm

Pin

**DPN400517**



***Application***

various AMBAC (Mack 'G' pumps)

***Specifications***

length: 37.6mm  
width: 12mm

Pin

**DPN402683**



***Application***

various AMBAC  
(Mack 6BB-T pumps)

***Specifications***

length: 32.5mm  
width: 12mm

Pin

**DPN7648**



# PINS, BUSHES AND ROLLERS

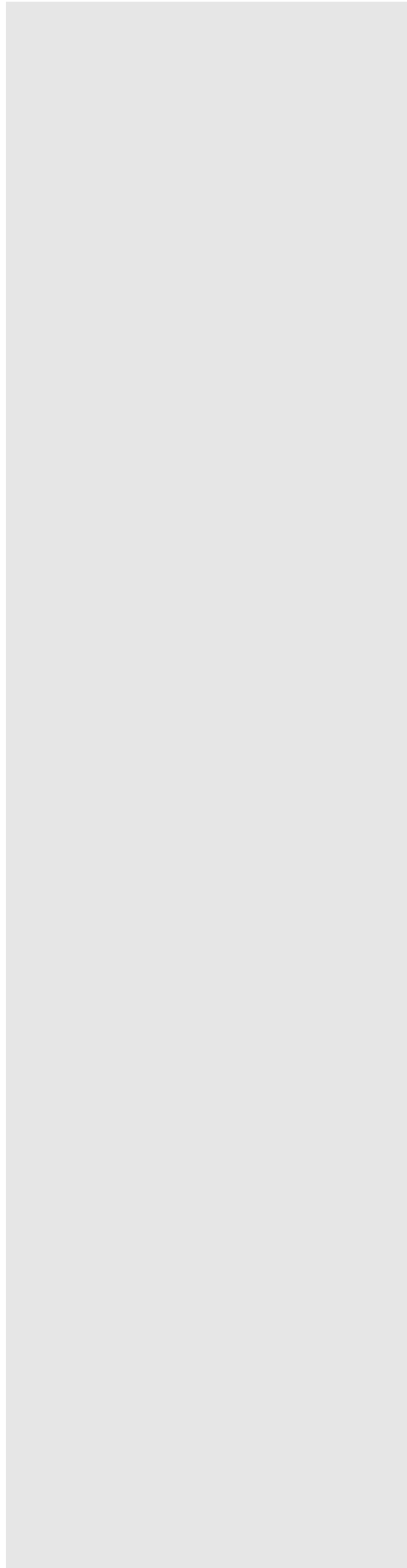
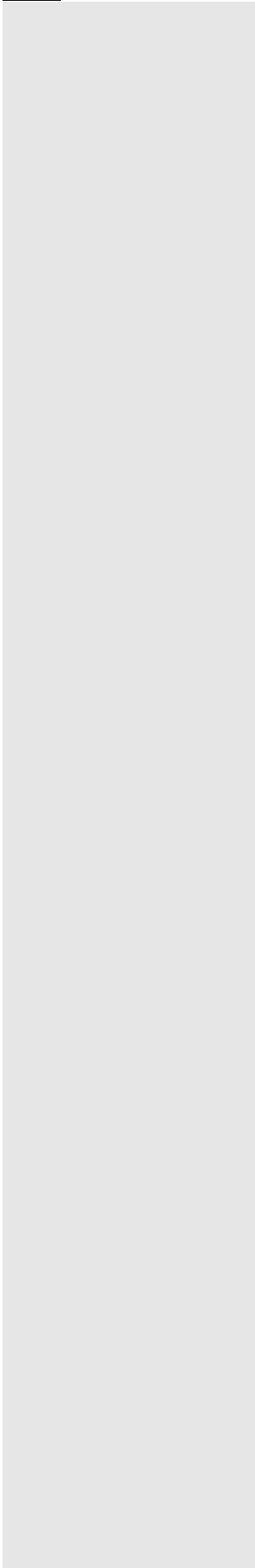
---



**DIPACO**  
**DIESEL**  
**PARTS**  

---

**U S A**





## Bushes

### *Application*

various Zexel

### *Specifications*

inside diameter: 9mm  
outside diameter: 14mm  
width: 12.5mm

### Bush



D131205-0600

### *Application*

various Bosch

### *Specifications*

inside diameter: 9mm  
outside diameter: 14mm  
width: 11.7mm

### Bush



D1 410 300 080

### *Application*

various Bosch

### *Specifications*

inside diameter: 9mm  
outside diameter: 12mm  
width: 10.4mm

### Bush



D1 410 300 242

### *Application*

various Bosch

### *Specifications*

inside diameter: 9mm  
outside diameter: 13mm  
width: 11.7mm

### Bush



D1 410 300 244



D090178-0010

Bush

***Application***

various Denso

***Specifications***
inside diameter: 7mm  
outside diameter: 11mm  
width: 8.9mm

D1 410 300 042

Bush

***Application***

various Bosch

***Specifications***
inside diameter: 7mm  
outside diameter: 11mm  
width: 10.9mm

D1 410 300 052

Bush

***Application***

various Bosch

***Specifications***
inside diameter: 7mm  
outside diameter: 10mm  
width: 8.9mm

D1 410 300 053

Bush

***Application***

various Bosch

***Specifications***
with oil groove  
inside diameter: 7mm  
outside diameter: 11mm  
width: 10.9mm



## Bushes

<p><b>Application</b> various Bosch</p> <p><b>Specifications</b> inside diameter: 12mm outside diameter: 16mm width: 14.9mm</p>	<p>Bush</p> 	<p>D2 410 300 004</p>
<p><b>Application</b> various Simms</p> <p><b>Specifications</b> inside diameter: 8mm outside diameter: 11mm width: 11.8mm</p>	<p>Bush</p> 	<p>D506652</p>
<p><b>Application</b> various Lucas CAV</p> <p><b>Specifications</b> inside diameter: 9mm outside diameter: 14mm width: 13.9mm</p>	<p>Bush</p> 	<p>D7097-4</p>
<p><b>Application</b> various Simms</p> <p><b>Specifications</b> inside diameter: 7mm outside diameter: 11mm width: 7.8mm</p>	<p>Bush</p> 	<p>D82012</p>

# PINS, BUSHES AND ROLLERS

## Bushes

---



**DIPACO**  
**DIESEL**  
**PARTS**  

---

**U S A**





**Application**

various Zexel

**Specifications**

inside diameter: 7mm  
 outside diameter: 17mm  
 width: 10.9mm

Roller



**D131204-0920**

**Application**

various Zexel

**Specifications**

inside diameter: 14mm  
 outside diameter: 20mm  
 width: 12.9mm

Roller



**D131204-1100**

**Application**

various Zexel

**Specifications**

inside diameter: 14mm  
 outside diameter: 20mm  
 width: 11.8mm

Roller



**D132204-0400**

**Application**

various Zexel

**Specifications**

inside diameter: 12mm  
 outside diameter: 22mm  
 width: 17.9mm

Roller



**D134204-0200**



D1 410 300 248

Roller

***A p p l i c a t i o n***

various Bosch

***S p e c i f i c a t i o n s***
inside diameter: 7mm  
outside diameter: 17mm  
width: 10.9mm

D1 410 202 005

Roller

***A p p l i c a t i o n***

various Bosch

***S p e c i f i c a t i o n s***
inside diameter: 10mm  
outside diameter: 15mm  
width: 8.9mm

D1 410 300 150

Roller

***A p p l i c a t i o n***

various Bosch

***S p e c i f i c a t i o n s***
inside diameter: 10mm  
outside diameter: 14.5mm  
width: 8.9mm

D1 410 300 243

Roller

***A p p l i c a t i o n***

various Bosch

***S p e c i f i c a t i o n s***
inside diameter: 13mm  
outside diameter: 20mm  
width: 11.7mm



### *Application*

various Denso

### *Specifications*

inside diameter: 11mm  
outside diameter: 17mm  
width: 8.9mm

Roller



**D090181-0010**

### *Application*

various Bosch

### *Specifications*

inside diameter: 11mm  
outside diameter: 17mm  
width: 10.9mm

Roller



**D1 410 202 006**

### *Application*

various Bosch

### *Specifications*

inside diameter: 16mm  
outside diameter: 24mm  
width: 14.9mm

Roller



**D2 410 202 006**

### *Application*

various Lucas CAV

### *Specifications*

inside diameter: 14mm  
outside diameter: 20mm  
width: 14mm

Roller



**D7097-28B**

**DRL409853****Roller*****A p p l i c a t i o n***

various Ambac

***S p e c i f i c a t i o n s***
inside diameter: 12mm  
outside diameter: 30mm  
width: 16.4mm
**DRL7613A****Roller*****A p p l i c a t i o n***

various Ambac

***S p e c i f i c a t i o n s***
inside diameter: 12mm  
outside diameter: 25mm  
width: 13.8mm
**D133204-0600****Roller*****A p p l i c a t i o n***various Zexel  
(Komatsu 'ZW' pumps)***S p e c i f i c a t i o n s***
inside diameter: 19mm  
outside diameter: 28mm  
width: 17.9mm
**D2 410 202 024****Roller*****A p p l i c a t i o n***

various Bosch

***S p e c i f i c a t i o n s***
inside diameter: 12mm  
outside diameter: 22mm  
width: 17.35mm



### *A p p l i c a t i o n*

various Bosch

### *S p e c i f i c a t i o n s*

inside diameter: 12mm  
outside diameter: 24mm  
width: 15mm

Roller



**D2 410 202 028**

### *A p p l i c a t i o n*

various Simms

### *S p e c i f i c a t i o n s*

inside diameter: 11mm  
outside diameter: 17mm  
width: 11.8mm

Roller



**DP506651**

# PINS, BUSHES AND ROLLERS

---



**DIPACO**  
**DIESEL**  
**PARTS**  

---

**U S A**



### *Application*

standard Zexel VE pumps

### Roller Kit

**D146210-5720**



### *Application*

Mazda Zexel VE pumps

### Roller Kit

**D146210-5820**



### *Application*

various

### *Contents of Kit*

#### **Pin**

inside diameter: 25.8mm  
outside diameter: 25.8mm  
width: 7mm

#### **Bush**

inside diameter: 7mm  
outside diameter: 11mm  
width: 10.9mm

#### **Roller**

inside diameter: 11mm  
outside diameter: 17mm  
width: 10.9mm

### Roller Kit

**D09282**



# PINS, BUSHES AND ROLLERS

## Roller Kits



**DIPACO**  
**DIESEL**  
**PARTS**  
**U S A**

**D43287**

### Roller Kit



### *Application*

various Bosch VE pumps

### *Contents of Kit*

4 x 1 460 300 345 Roller  
 4 x 1 463 100 307 Pin  
 4 x 1 460 120 306 Washer

**D43288**

### Roller Kit



### *Application*

various Bosch VE pumps

### *Contents of Kit*

4 x 1 460 300 338 Roller  
 4 x 1 463 100 307 Pin  
 4 x 1 460 120 306 Washer

**D43289**

### Roller Kit



### *Application*

various Bosch VE pumps

### *Contents of Kit*

4 x 2 460 300 001 Roller & Bush  
 4 x 1 463 100 307 Pin  
 4 x 1 460 120 306 Washer  
 4 x 1 460 300 343 Bushing

**D43290**

### Roller Kit



### *Application*

various Bosch VE pumps

### *Contents of Kit*

4 x 1 463 100 309 Pin  
 4 x 1 460 120 304 Washer  
 4 x 2 460 300 001 Roller & Bush  
 4 x 1 460 300 338 Bushing





**Application**

various Zexel "P" pumps with 25mm camshafts

**Specifications**

inside diameter: 25mm  
 outside diameter: 35mm  
 width: 7.1mm  
 material outer: Steel  
 colour: Brown  
 double lip

Oil Seal



**D026712-5010**

**Application**

various Zexel "A" size pumps with 17mm camshafts

**Specifications**

inside diameter: 17mm  
 outside diameter: 25mm  
 width: 6mm  
 material outer: Steel  
 colour: Brown  
 single lip

Oil Seal



**D029621-7010**

**Application**

various Zexel "A" size pumps with 17mm camshafts

**Specifications**

inside diameter: 17mm  
 outside diameter: 28mm  
 width: 6mm  
 material outer: Steel  
 colour: Olive green  
 double lip

Oil Seal



**D029621-7020**

**Application**

various Zexel "A" size pumps with 17mm camshafts

**Specifications**

inside diameter: 17mm  
 outside diameter: 28mm  
 width: 6mm  
 material outer: Steel  
 colour; Brown  
 double lip

Oil Seal



**D029621-7050**



D029622-0140

Oil Seal

**Application**

various Zexel "A" size pumps with  
20mm camshafts

**Specifications**

inside diameter: 20mm  
 outside diameter: 30mm  
 width: 7mm  
 material outer: Rubber  
 double lip

D029622-0190

Oil Seal

**Application**

various Zexel "A" size pumps with  
20mm camshafts

**Specifications**

inside diameter: 20mm  
 outside diameter: 30mm  
 width: 6mm  
 material outer: Steel  
 colour: Brown  
 double lip

D029622-0240

Oil Seal

**Application**

various Zexel "A" size pumps with  
20mm camshafts

**Specifications**

inside diameter: 20mm  
 outside diameter: 30mm  
 width: 6mm  
 material outer: Steel  
 Colour: Olive Green  
 double lip

D096039-0040

Oil Seal

**Application**

various Denso "VE" pumps with  
20mm driveshafts

**Specifications**

inside diameter: 20mm  
 outside diameter: 30mm  
 width: 6mm  
 material outer: Steel  
 colour: Brown  
 double lip



**Application**

various Zexel "P" pumps with 25mm camshafts

**Specifications**

inside diameter: 25mm  
 outside diameter: 36mm  
 width: 6mm  
 material outer: Steel  
 colour: Brown  
 double lip

Oil Seal



D139620-0000

**Application**

various Zexel "P" pumps with 30mm camshafts

**Specifications**

inside diameter: 29.5mm  
 outside diameter: 41mm  
 width: 7mm  
 material outer: Steel  
 colour: Brown  
 double lip

Oil Seal



D139625-0000

**Application**

various Zexel "ZW" type pumps (Komatsu application)

**Specifications**

inside diameter: 34mm  
 outside diameter: 48.3mm  
 width: 6.7mm  
 material outer: Rubber  
 single lip

Oil Seal



D139634-0200

**Application**

various Bosch "VE" pumps with 17mm driveshafts

**Specifications**

inside diameter: 17mm  
 outside diameter: 28mm  
 width: 7.3mm  
 material outer: Rubber  
 single lip

Oil Seal



D1 460 283 310



D1 460 283 311

Oil Seal

**Application**

various Bosch "VE" pumps with  
20mm driveshafts

**Specifications**

inside diameter: 20mm  
 outside diameter: 31mm  
 width: 7.3mm  
 material outer: Rubber  
 single lip

D146601-0400

Oil Seal

**Application**

various Zexel "VE" pumps with 17mm  
driveshafts

**Specifications**

inside diameter: 17mm  
 outside diameter: 28mm  
 width: 7mm  
 material outer: Steel  
 colour: Olive Green  
 double lip

D146601-0600

Oil Seal

**Application**

various Zexel "VE" pumps with 20mm  
driveshafts

**Specifications**

inside diameter: 20mm  
 outside diameter: 31mm  
 width: 7mm  
 material outer: Steel  
 colour: Olive Green  
 double lip

D146601-0700

Oil Seal

**Application**

various Zexel "VE" pumps with 20mm  
driveshafts

**Specifications**

inside diameter: 20mm  
 outside diameter: 31mm  
 width: 7mm  
 material outer: Steel  
 colour: Olive Green  
 double lip



### *Application*

various Zexel "VE" pumps with 17mm driveshafts

### *Specifications*

inside diameter: 17mm  
outside diameter: 28mm  
width: 7mm  
material outer: Steel  
colour: Olive Green  
double lip

Oil Seal



D146601-0900

### *Application*

various Zexel "VE" pumps with 20mm driveshafts

### *Specifications*

inside diameter: 20mm  
outside diameter: 31mm  
width: 7mm  
material outer: Steel  
colour: Brown  
double lip

Oil Seal



D146601-1100

### *Application*

various

### *Specifications*

inside diameter:  
outside diameter:  
width:

Oil Seal



D2 410 283 010

### *Application*

various "P" pumps with 30mm camshafts

### *Specifications*

inside diameter: 30mm  
outside diameter: 61.8mm  
width: 5mm  
single lip

Oil Seal



D2 410 283 021



D7174-127A

Oil Seal

**Application**

various CAV "DPS" pumps

**Specifications**

inside diameter: 20mm  
 outside diameter: 35mm  
 width: 6mm  
 material outer: Rubber  
 single lip

D949150-0030

Oil Seal

**Application**

various Denso "R722, R712" governors

**Specifications**

inside diameter: 17mm  
 outside diameter: 35mm  
 width: 5.7mm  
 material outer: Steel  
 colour: Olive Green  
 single lip

D949150-0050

Oil Seal

**Application**

various Denso with 17mm camshafts

**Specifications**

inside diameter: 17mm  
 outside diameter: 28mm  
 width: 5.5mm  
 material outer: Steel  
 colour: Olive Green  
 single lip

D949150-1620

Oil Seal

**Application**

various Denso with 17mm camshafts

**Specifications**

inside diameter: 17mm  
 outside diameter: 28mm  
 width: 6mm  
 material outer: Steel  
 colour: Olive Green  
 double lip



**Application**

various Denso with 20mm camshafts

**Specifications**

inside diameter: 20mm  
 outside diameter: 30mm  
 width: 6mm  
 material outer: Steel  
 colour: Olive Green  
 double lip

Oil Seal



D949150-1750

**Application**

various Cummins, AFC, PTG, VS front drives

**Specifications**

inside diameter: 18.5mm  
 outside diameter: 32mm  
 width: 4.8mm  
 material outer: Steel  
 colour: Black  
 single lip

Oil Seal



D3009625

**Application**

various Cummins, AFC, PTG, VS front drives

**Specifications**

inside diameter: 18.5mm  
 outside diameter: 32mm  
 width: 4.8mm  
 material outer: Steel  
 colour: Green  
 single lip

Oil Seal



D3062676

**Application**

various Cummins, AFC, VS front drives

**Specifications**

inside diameter: 18.5mm  
 outside diameter: 36.6mm  
 width: 6.2mm  
 material outer: Rubber  
 single lip

Oil Seal



D3075523



D1 410 281 012

Oil Seal

**Application**

various Bosch "A" size pumps with 20mm camshaft (mainly Ford)

**Specifications**

inside diameter: 20mm  
 outside diameter: 30mm  
 width: 12.1mm  
 material outer: Steel  
 colour: Olive Green  
 double lip

D1 410 282 003

Oil Seal

**Application**

various Bosch "A" size pumps with 17mm camshafts

**Specifications**

inside diameter: 17mm  
 outside diameter: 28mm  
 width: 6mm  
 material outer: Rubber  
 single lip

D1 410 282 015

Oil Seal

**Application**

various Bosch "P" pumps with 25mm camshafts

**Specifications**

inside diameter: 25mm  
 outside diameter: 35mm  
 width: 7mm  
 material outer: Rubber  
 single lip

D1 410 283 000

Oil Seal

**Application**





various Bosch "A" size pumps with 20mm camshafts

**Specifications**

inside diameter: 20mm  
 outside diameter: 30mm  
 width: 7mm  
 material outer: Rubber  
 double lip





<p><b>Application</b>  various Bosch "VA" pumps with 17mm driveshafts</p> <p><b>Specifications</b>  inside diameter: 17mm  outside diameter: 28mm  width: 7mm  material outer: Steel  single lip</p>	<p style="text-align: center;"><b>Oil Seal</b></p> 	<p style="text-align: right;"><b>D1 460 283 301</b></p>
<p><b>Application</b>  various Bosch "A" size pumps with 20mm camshafts</p> <p><b>Specifications</b>  inside diameter: 20mm  outside diameter: 31mm  width: 7mm  material outer: steel  single lip</p>	<p style="text-align: center;"><b>Oil Seal</b></p> 	<p style="text-align: right;"><b>D1 460 283 302</b></p>
<p><b>Application</b>  various Simms pumps</p> <p><b>Specifications</b>  inside diameter: 20mm  outside diameter: 35mm  width: 6mm  material outer: Rubber  single lip</p>	<p style="text-align: center;"><b>Oil Seal</b></p> 	<p style="text-align: right;"><b>D22159</b></p>
<p><b>Application</b>  various Simms pumps</p> <p><b>Specifications</b>  inside diameter: 20mm  outside diameter: 35mm  width: 8mm  material outer: Rubber  double lip</p>	<p style="text-align: center;"><b>Oil Seal</b></p> 	<p style="text-align: right;"><b>D502261</b></p>



D5393-252R

Oil Seal

**Application**

various DPA uprated drive

**Specifications**

inside diameter: 22mm  
 outside diameter: 35mm  
 width: 6.4mm  
 material outer: Rubber  
 single lip

D5393-252U

Oil Seal

**Application**

various DPA pumps

**Specifications**

inside diameter: 27.5mm  
 outside diameter: 38.3mm  
 width: 6.5mm  
 material outer: Rubber  
 single lip

D7033-295

Oil Seal

**Application**

various CAV "BPE" type pumps

**Specifications**

inside diameter: 17mm  
 outside diameter: 34.2mm  
 width: 4mm  
 material outer: Rubber  
 single lip

D7033-309

Oil Seal

**Application**

various CAV "BPE" type pumps

**Specifications**

inside diameter: 17mm  
 outside diameter: 34mm  
 width: 7.2mm  
 material outer: Rubber  
 double lip



***Application***

various DPA pumps

***Specifications***

inside diameter: 22mm  
 outside diameter: 38.3mm  
 width: 6.1mm  
 material outer: Rubber  
 single lip

**Oil Seal**



**D7133-114**

***Application***

various DPA pumps

***Specifications***

inside diameter: 14mm  
 outside diameter: 38.4mm  
 width: 6.3mm  
 material outer: Rubber  
 single lip

**Oil Seal**



**D7133-84**

***Application***

various Simms majormec pumps

***Specifications***

inside diameter: 25mm  
 outside diameter: 38mm  
 width: 7mm  
 material outer: Rubber  
 single lip

**Oil Seal**



**D86536**

***Application***

various Zexel 'VE' pumps with  
 20mm driveshafts

***Specifications***

inside diameter: 20mm  
 outside diameter: 31mm  
 width: 7.15mm  
 material outer: Steel  
 single lip

**Oil Seal**



**D146601-0300**


**D949150-2820**
**Oil Seal**

***A p p l i c a t i o n***

various Denso 'P' size pumps with  
25mm camshafts

***S p e c i f i c a t i o n s***

inside diameter: 25mm  
 outside diameter: 35mm  
 width: 7mm  
 material outer: Steel  
 double lip

**D1 410 283 006**
**Oil Seal**

***A p p l i c a t i o n***

various Bosch (suit 'PES' 4m) 17mm  
camshafts

***S p e c i f i c a t i o n s***

inside diameter: 17mm  
 outside diameter: 34mm  
 width: 4mm  
 material outer: Rubber



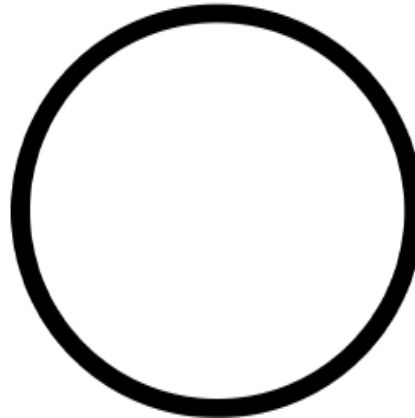
### *Application*

Isuzu C223

### *Specifications*

inside diameter: 49.5mm  
outside diameter: 56.5mm  
thickness: 3.5mm  
material: Rubber

### Mounting O-Ring



D016500-5010

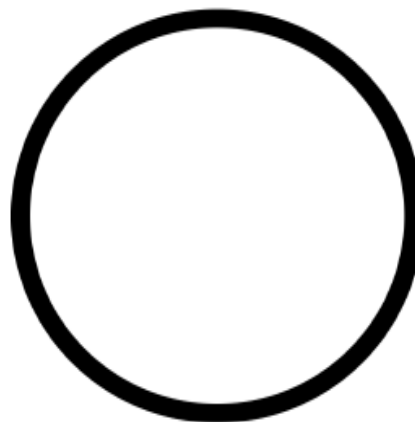
### *Application*

Toyota B, 11B...BU60, 61, 65, 70,  
83, 84, 14B...BU66, 87, 88, 89,  
90, 1HDT

### *Specifications*

inside diameter: 50mm  
outside diameter: 55mm  
thickness: 2.5mm  
material: Rubber

### Mounting O-Ring

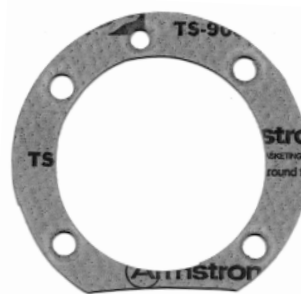


D90301-49003

### *Application*

Cummins

### Pump Mounting Gasket



D3069103

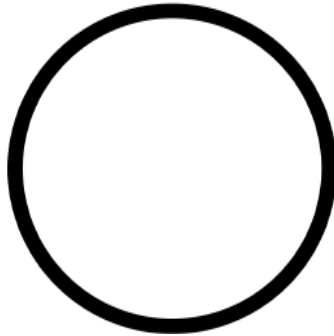
# MOUNTING GASKETS, O-RINGS AND HARDWARE



**DIPACO**  
**DIESEL**  
**PARTS**  
**U S A**

**D446GC175**

**PLE Cover Seal**



***A p p l i c a t i o n***

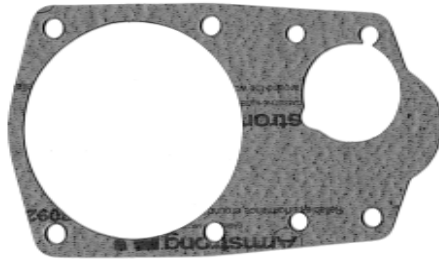
Mack with AMBAC APE6BB,  
APE6G, PLM fuel pumps

***S p e c i f i c a t i o n s***

inside diameter: 39.6mm  
outside diameter: 45mm  
thickness: 3.2mm  
material: Rubber

**D562GB14A**

**Pump Mounting Gasket**

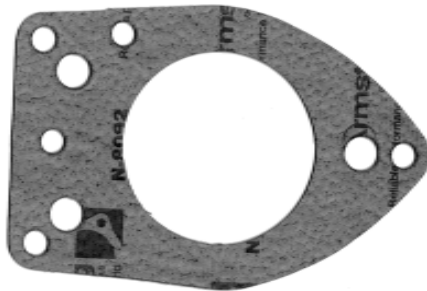


***A p p l i c a t i o n***

Mack with AMBAC APE6BB,  
APE6G, PLM fuel pumps

**D590GB190D**

**Adapter to Timing Case Gasket**



***A p p l i c a t i o n***

Mack with AMBAC APE6BB fuel  
pump

**D590GB236A**

**Timing Cover Gasket**



***A p p l i c a t i o n***

Mack with AMBAC APE6BB fuel  
pump

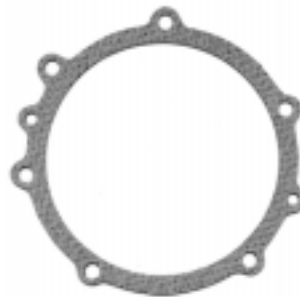


*Application*

IHC DT466 & DT360 engine

**Pump Mounting Gasket**

**D675816C1**



*Application*

Ford

**Mounting Gasket**

**DC5NE9F585A**



*Application*

John Deere

**Pump Mounting Gasket**

**DR50390**



*Application*

DPA with 45mm spigot

**Mounting Gasket**

**D0490685**



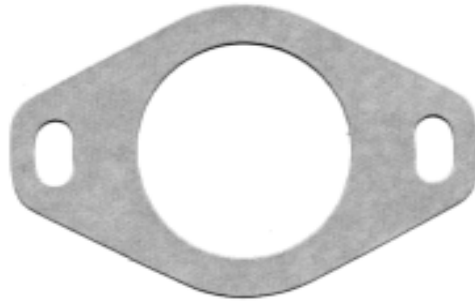
# MOUNTING GASKETS, O-RINGS AND HARDWARE



**DIPACO**  
**DIESEL**  
**PARTS**  
**U S A**

**D1 460 051 002**

**Mounting Gasket**



***A p p l i c a t i o n***

various VE & VA type fuel pumps

**D3930993**

**Mounting O-Ring**



***A p p l i c a t i o n***

B & C series Cummins engine

***S p e c i f i c a t i o n s***

inside diameter: 78.7mm  
outside diameter: 85mm  
thickness: 3.1mm  
material: Rubber

**D4 030 740 059**

**Mounting O-Ring Seal**



***A p p l i c a t i o n***

Mercedes V8, V6 series

***S p e c i f i c a t i o n s***

inside diameter: 94.6mm  
outside diameter: 106mm  
width: 13.2mm  
material: Rubber





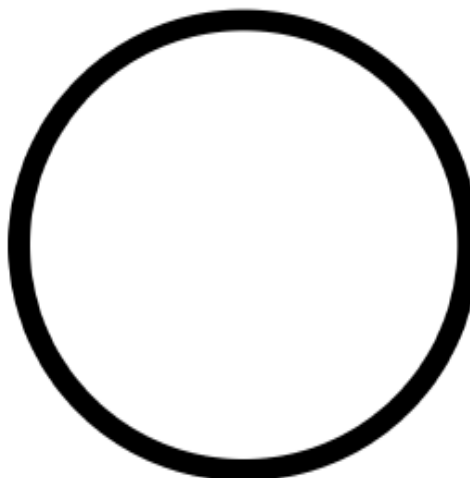
***A p p l i c a t i o n***

Ford with Simms pump

***S p e c i f i c a t i o n s***

inside diameter: 57.5mm  
outside diameter: 63.5mm  
thickness: 3mm  
material: Rubber

**Pump Mounting O-Ring**



**D42803**

***A p p l i c a t i o n***

DPC pumps

**Mounting Gasket**

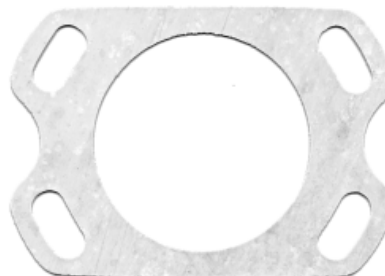


**D42814**

***A p p l i c a t i o n***

PES 'A' type pumps

**Mounting Gasket**



**D42815**

# MOUNTING GASKETS, O-RINGS AND HARDWARE



**DIPACO**  
**DIESEL**  
**PARTS**  
**U S A**

**D42816**

**Mounting Gasket**

photo will  
be available  
in following  
update

***A p p l i c a t i o n***

PES MW type pumps

**D42817**

**Oil Feed O-Ring**



***A p p l i c a t i o n***

Mercedes V8, V6 series

***S p e c i f i c a t i o n s***

inside diameter: 7mm

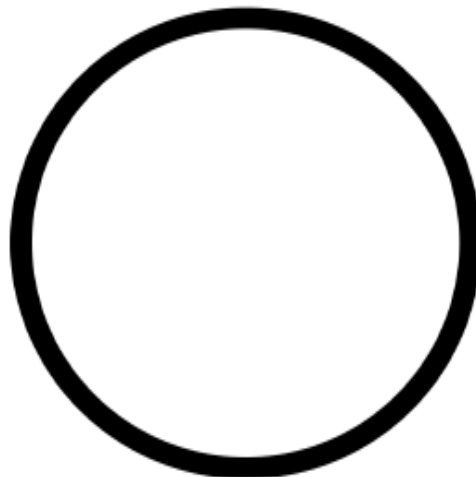
outside diameter: 13mm

thickness: 3mm

material: Rubber

**D5855-30EP**

**Mounting O-Ring**



***A p p l i c a t i o n***

Bedford 330 with hyd governor DPA  
fuel pump

***S p e c i f i c a t i o n s***

inside diameter: 56.5mm

outside diameter: 63.5mm

thickness: 3.5mm

material: Rubber



***Application***

DPA with 50mm spigot

**Mounting Gasket**

**D7167-496**



***Application***

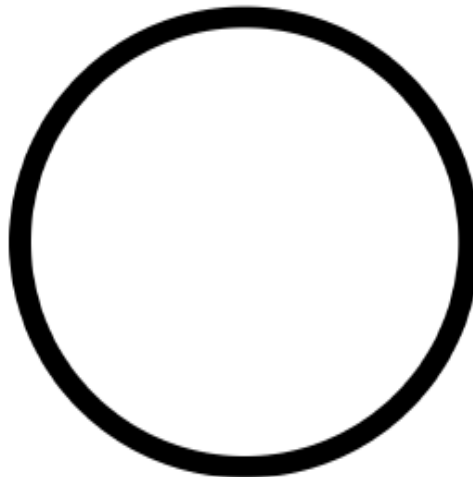
2H Toyota

***Specifications***

inside diameter: 129mm  
outside diameter: 135mm  
thickness: 3mm  
material: Rubber

**Pump Mounting O-Ring**

**D90301-99013**

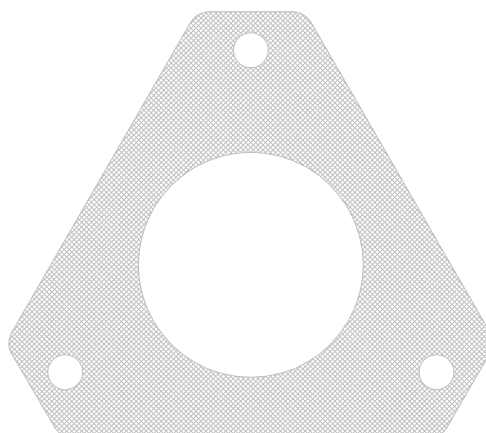


***Application***

CAV

**Pump Mounting Gasket**

**D731-176M1**



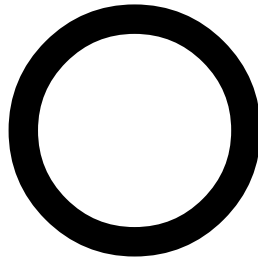
# MOUNTING GASKETS, O-RINGS AND HARDWARE



**DIPACO**  
**DIESEL**  
**PARTS**  
**U S A**

**DR460R**

**Mounting O-Ring**



***A p p l i c a t i o n***

John Deere

***S p e c i f i c a t i o n s***

inside diameter: 1-1/16"

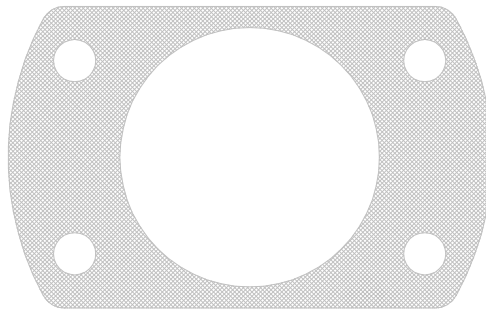
outside diameter: 1-5/16"

thickness: -

material: Rubber

**D2136717**

**Pump Mounting Gasket**

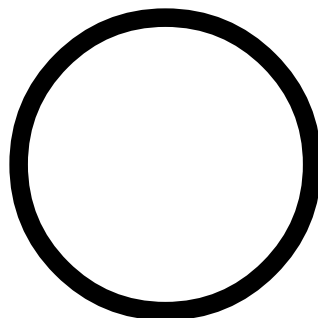


***A p p l i c a t i o n***

Deutz

**D1162625**

**Transfer Pump Mounting O-Ring**



***A p p l i c a t i o n***

Deutz

***S p e c i f i c a t i o n s***

inside diameter: -

outside diameter: -

thickness: -

material: Rubber

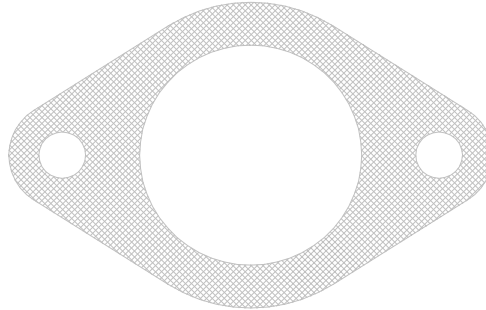


*A p p l i c a t i o n*

Ford

**Turbo Air Outlet Gasket**

**DE3ZZ9F703A**

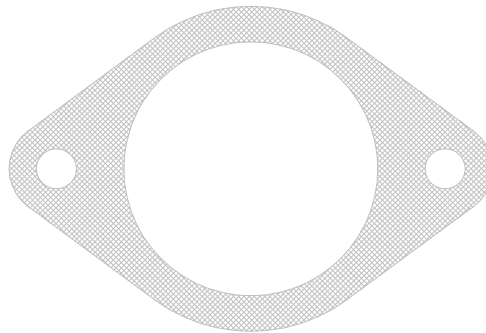


*A p p l i c a t i o n*

Ford

**Turbo Air Intake Gasket (Cork)**

**DE3ZZ9D634A**



*A p p l i c a t i o n*

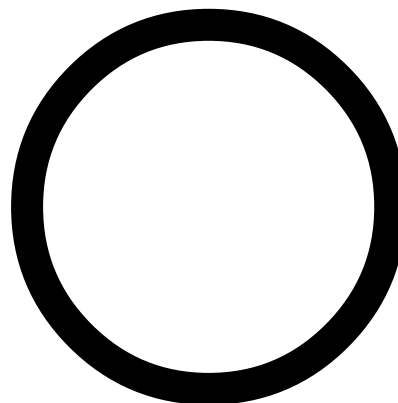
Ford

*S p e c i f i c a t i o n s*

inside diameter: -  
outside diameter: -  
thickness: -  
material: Rubber

**Pump Mount O-Ring**

**D87071S94**



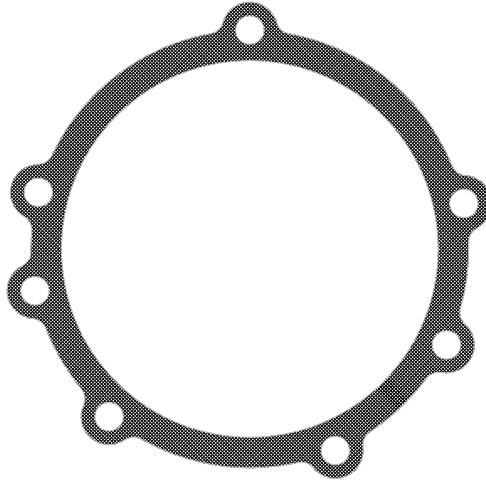
# MOUNTING GASKETS, O-RINGS AND HARDWARE



**DIPACO**  
**DIESEL**  
**PARTS**  
**U S A**

**DC5NE9F598A**

**Front Plate Cover Gasket**

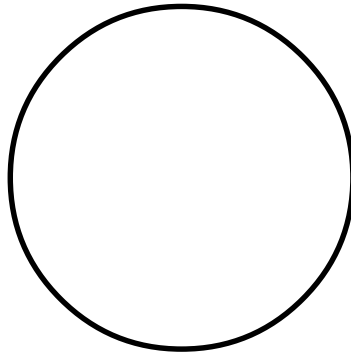


*A p p l i c a t i o n*

Ford

**D6C019C7TZA**

**Mounting O-Ring**



*A p p l i c a t i o n*

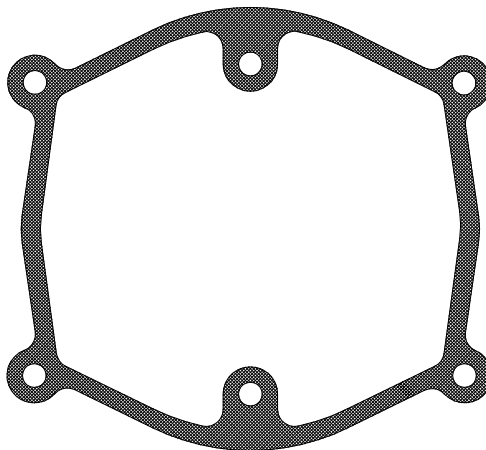
Ford

*S p e c i f i c a t i o n s*

inside diameter: -  
outside diameter: -  
thickness: -  
material: Rubber

**D10137537**

**Air Cleaner Gasket**



*A p p l i c a t i o n*

GM 6.5L



**DIPACO**  
**DIESEL**  
**PARTS**  
**U S A**

# MOUNTING GASKETS, O-RINGS AND HARDWARE

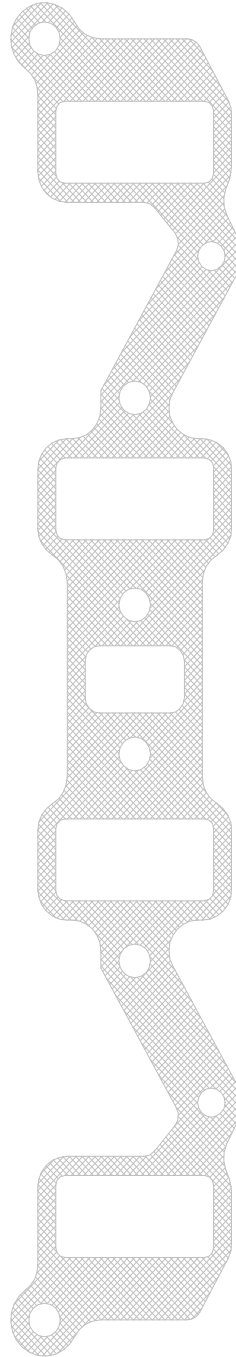
CHAPTER 15

## *A p p l i c a t i o n*

GM 6.2L/6.5L

## Intake Manifold Gasket (with Teflon anti-stick coating)

DPE91586



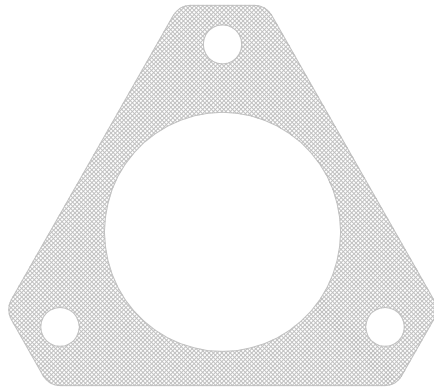
# MOUNTING GASKETS, O-RINGS AND HARDWARE



**DIPACO**  
**DIESEL**  
**PARTS**  
**U S A**

**D14022651**

**Pump Mount Gasket**

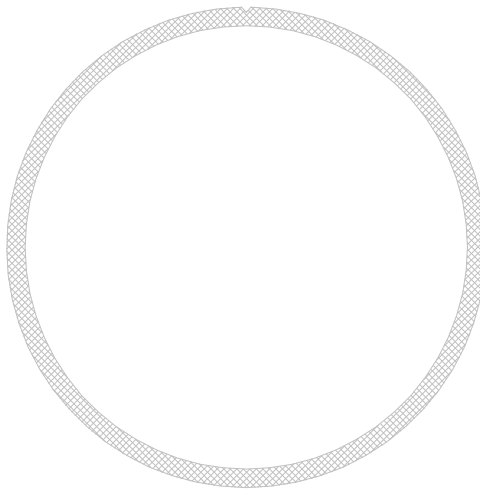


*A p p l i c a t i o n*

GM 6.2L/6.5L

**D14033942**

**Air Cleaner Base Gasket**

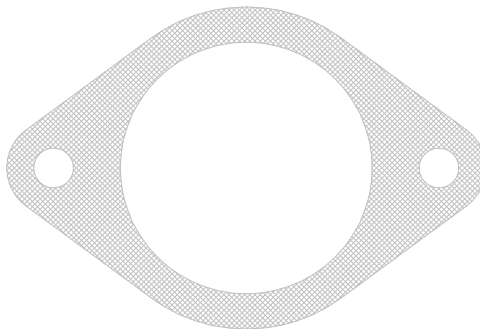


*A p p l i c a t i o n*

GM 6.2L

**D56AX574**

**Oil Fill Tube Gasket**



*A p p l i c a t i o n*

Mack





**DIPACO**  
**DIESEL**  
**PARTS**  
**U S A**

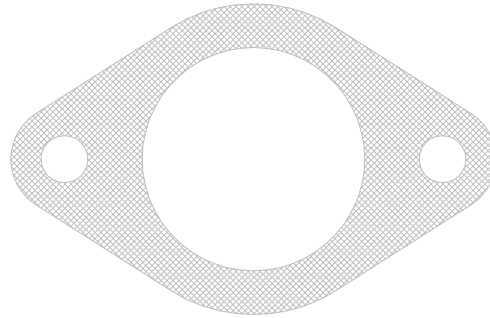
# MOUNTING GASKETS, O-RINGS AND HARDWARE

CHAPTER 15

*Application*  
Mack

**Oil Fill Tube Gasket**

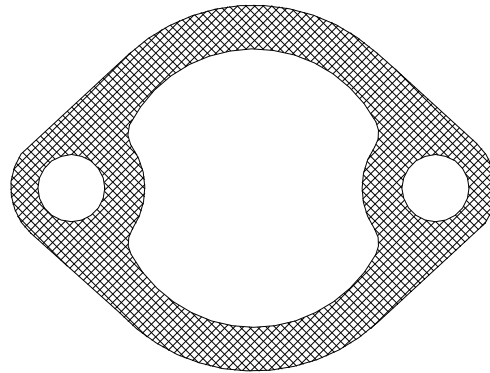
**D590GB1362**



*Application*  
Mack

**Breather Tube Gasket**

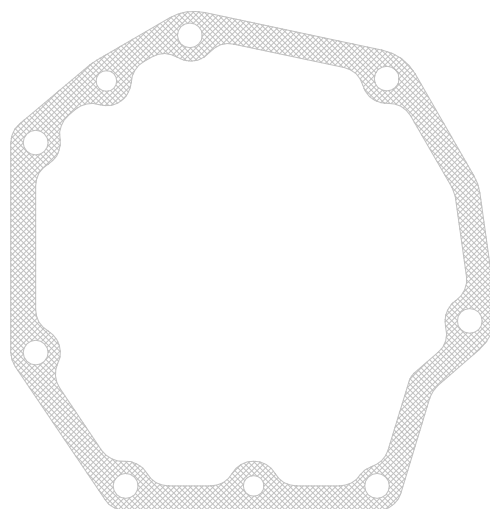
**D590GB2111A**



*Application*  
Navistar DT360/DT466

**Pump Mount Gasket**

**D675609C2**



# MOUNTING GASKETS, O-RINGS AND HARDWARE



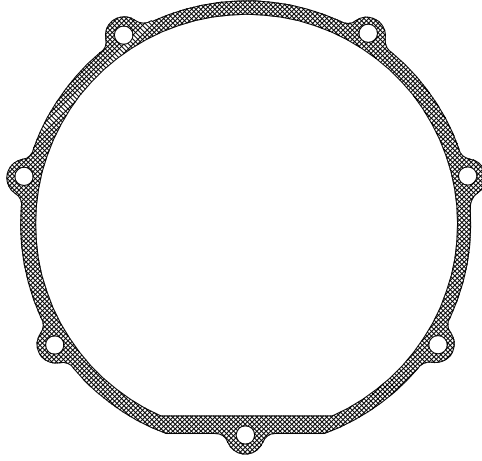
**DIPACO**  
**DIESEL**  
**PARTS**  
**U S A**

**D489239C2**

**Pump Mount Gasket**

*A p p l i c a t i o n*

Navistar (Robert Bosch)

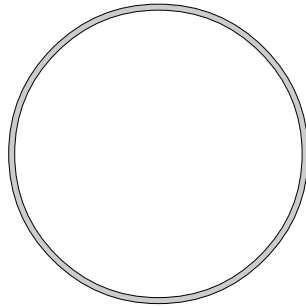


**D489244C1**

**Pump Mount Gasket**

*A p p l i c a t i o n*

Navistar

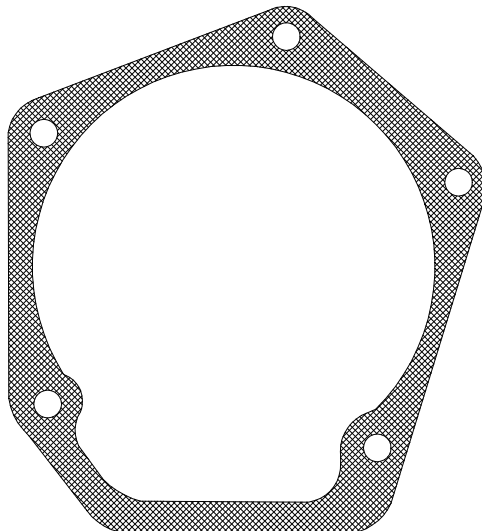


**D1342756C1**

**Front Cover Pump Mount  
Gasket**

*A p p l i c a t i o n*

Navistar





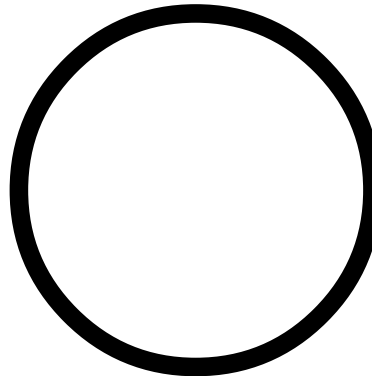
***Application***

Navistar 6.9L/7.3L  
(purple)

***Specifications***

inside diameter: -  
outside diameter: -  
thickness: -  
material: Rubber

**Pump Mount O-Ring**



**D382781R1**

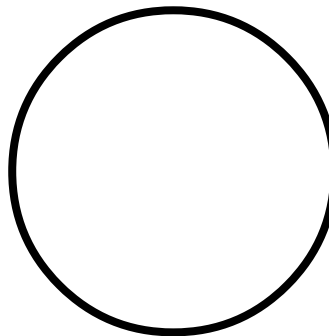
***Application***

Mack

***Specifications***

inside diameter: -  
outside diameter: -  
thickness: -  
material: Rubber

**Timing Cover O-Ring**



**D56AX548**

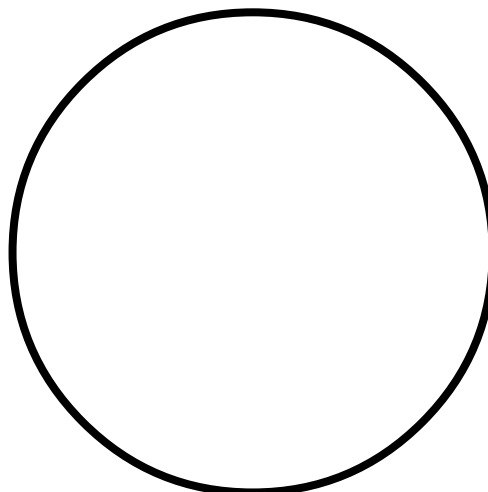
***Application***

Mack (P7100)

***Specifications***

inside diameter: -  
outside diameter: -  
thickness: -  
material: Rubber

**Pump Adapter O-Ring**



**D446GC289**

# MOUNTING GASKETS, O-RINGS AND HARDWARE



**DIPACO**  
**DIESEL**  
**PARTS**  
**U S A**

D28549R1

Pump Mount Bolt



*A p p l i c a t i o n*

Navistar 6.9L/7.3L



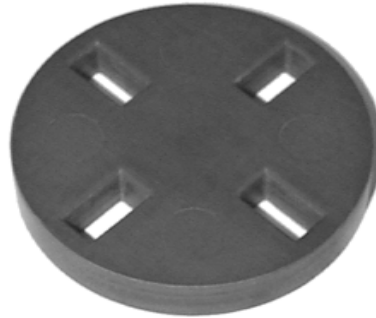
### *Application*

Denso pumps

### *Specifications*

inside diameter: -  
outside diameter: 90mm  
thickness: 12.3mm  
material: Fibre

### Fibre Coupling Disc



D092436-0020

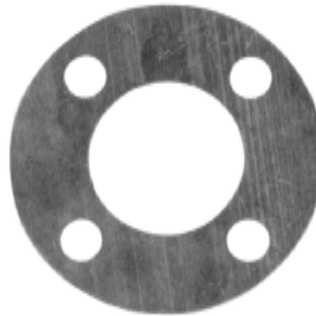
### *Application*

Mercedes

### *Specifications*

inside diameter: 44mm  
outside diameter: 94mm  
thickness: 0.5mm  
material: Steel

### Coupling Disc



D1 410 136 005

### *Application*

PTG drive assembly

### Coupling



D101918

### *Application*

AFC & PTG couplings

### *Specifications*

material: Rubber

### Spider (black)



D162426



D212613

Coupling

*Application*

AFC drive assembly

D3046200

Spider (white)

*Application*

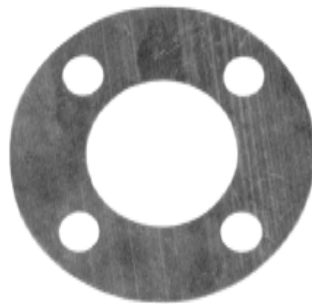
AFC &amp; PTG couplings

*Specifications*

material: Nylon

D43224

Coupling Disc

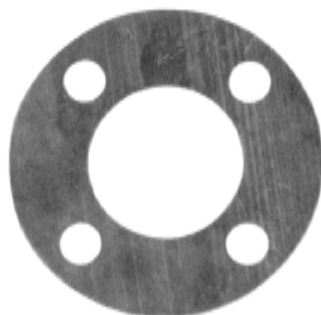
*Application*

Volvo

*Specifications*
inside diameter: 64mm  
outside diameter: 116mm  
thickness: 0.7mm  
material: Steel

D43225

Coupling Disc

*Application*

Leyland

*Specifications*
inside diameter: 48mm  
outside diameter: 100mm  
thickness: 0.5mm  
material: Steel



***Application***

suit Coupling Discs for Volvo F12 series

**Bolt & Nut**

**D43226**



***Application***

suit Coupling Discs for Scania 141

***Specifications***

inside diameter: 10mm  
 outside diameter: 13mm  
 thickness: 7mm  
 material: Steel

**Washer**

**D43227**



***Application***

various Simms pumps

***Specifications***

width: 20mm  
 material: Rubber

**Coupling Insert**

**D87209**



***Application***

various Simms Pumps

***Specifications***

20mm taper

**Coupling**

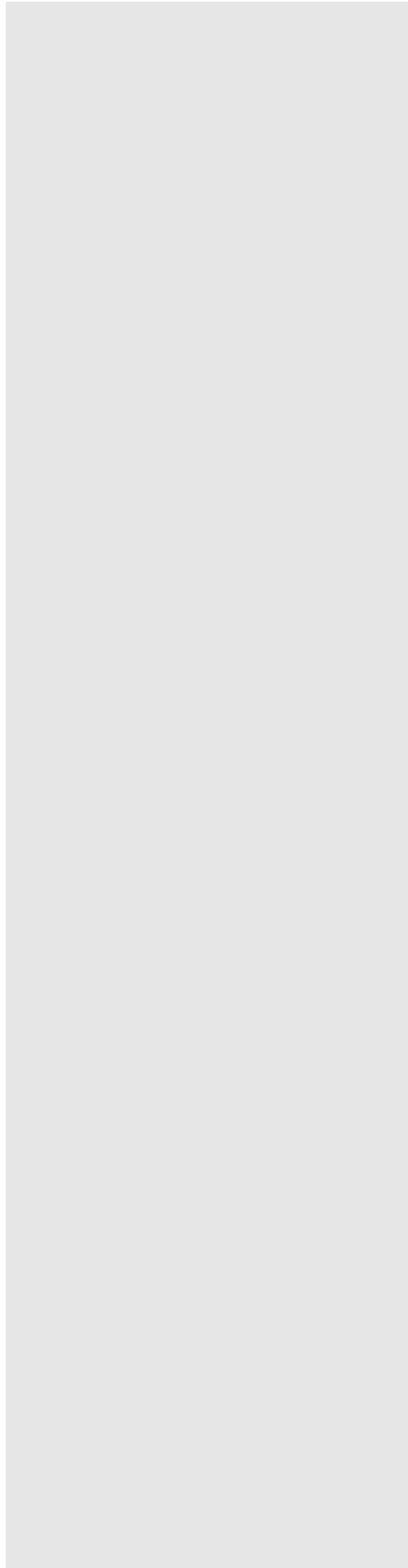
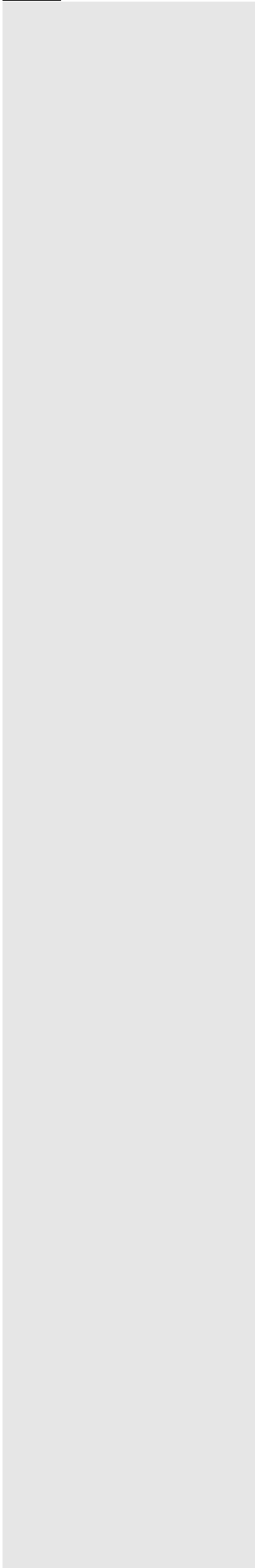
**DCR103**



# COUPLINGS AND DISCS



**DIPACO**  
**DIESEL**  
**PARTS**  
**U S A**







***A p p l i c a t i o n***

Zexel lift pumps

***S p e c i f i c a t i o n s***

inside diameter: 4mm  
outside diameter: 14.1mm  
thickness: 5mm

**Spindle Seal**



**D029620-4000**

***A p p l i c a t i o n***

Zexel lift pumps

***S p e c i f i c a t i o n s***

inside diameter: 32mm  
outside diameter: 36mm  
thickness: 2mm  
material: Rubber

**Lift Pump Mounting O-Ring**

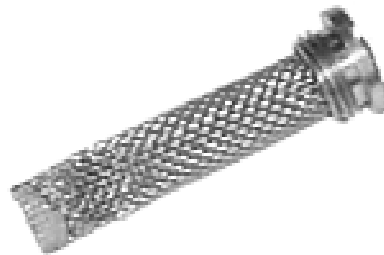


**D029633-1010**

***A p p l i c a t i o n***

Denso banjo bolts

**Banjo Bolt Filter**



**D092220-0040**

***A p p l i c a t i o n***

Denso KE & KS lift pumps

**Lift Pump Kit**



**D192290-0060**

# LIFT PUMP REPAIR KITS AND ACCESSORIES



**DIPACO**  
**DIESEL**  
**PARTS**  
**U S A**

**D2 447 010 017**

**Pre-filter Kit (without clamp)**



***A p p l i c a t i o n***

Bosch lift pumps

**D2 447 010 024**

**Lift Pump Kit**



***A p p l i c a t i o n***

Bosch lift pumps

**D2 447 010 027**

**Pre-filter Kit (with clamp)**



***A p p l i c a t i o n***

Bosch lift pumps

**D949140-0380**

**Lift Pump Mounting O-Ring**



***A p p l i c a t i o n***

Denso lift pumps

***S p e c i f i c a t i o n s***

inside diameter: 32mm

outside diameter: 36mm

thickness: 2mm

material: Rubber



***A p p l i c a t i o n***

Denso lift pumps

***S p e c i f i c a t i o n s***

inside diameter: 4mm  
outside diameter: 12.9mm  
thickness: 8mm

**Spindle Seal**



**D949150-0970**

***A p p l i c a t i o n***

KD, KE & KS Lift pumps

***S p e c i f i c a t i o n s***

inside diameter: 4mm  
outside diameter: 14.5mm  
thickness: 4mm

**Spindle Seal**



**D949150-2700**

***A p p l i c a t i o n***

SPE 22B Mack

**Lift Pump Kit**



**DKT7948**

***A p p l i c a t i o n***

M type lift pumps

**Lift Pump Mounting Gasket**



**D1 410 051 002**

# LIFT PUMP REPAIR KITS AND ACCESSORIES



**DIPACO**  
**DIESEL**  
**PARTS**  
**U S A**

**D1 411 073 004**

**Lift Pump Mounting Gasket**

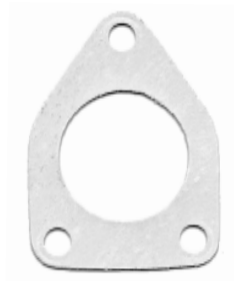


***A p p l i c a t i o n***

A, P, MW type (roller tappet) lift pump

**D1 411 073 006**

**Lift Pump Mounting Gasket**



***A p p l i c a t i o n***

MW type lift pump

**D1 450 410 011**

**Filter Screen**



***A p p l i c a t i o n***

Bosch pre-filters

***S p e c i f i c a t i o n s***

material: Nylon

**D1 457 434 000**

**Pre-filter Assembly**



***A p p l i c a t i o n***

various plunger type feed pumps



***A p p l i c a t i o n***

pre-filter glass bowl

***S p e c i f i c a t i o n s***

inside diameter: 28mm  
outside diameter: 36.5mm  
thickness: 2.1mm  
material: Rubber

**Pre-filter Seal**



**D2 440 109 005**

***A p p l i c a t i o n***

most plunger type feed pumps

**Valve**



**D2 443 203 001**

***A p p l i c a t i o n***

2 valve plunger type feed pumps

**Major Service Kit**



**D2 447 010 004**

***A p p l i c a t i o n***

some plunger type feed pumps

**Valve**



**D2 447 419 002**

# LIFT PUMP REPAIR KITS AND ACCESSORIES



**DIPACO**  
**DIESEL**  
**PARTS**  
**U S A**

**D43309**

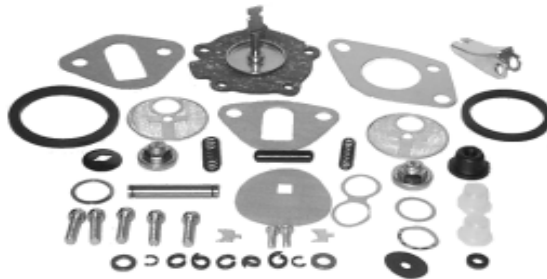
## Lift Pump Service Kit



*Application*  
suit AC type VP lift pumps

**D43310**

## Lift Pump Service Kit



*Application*  
AC type YD/YJ lift pumps

**D43325**

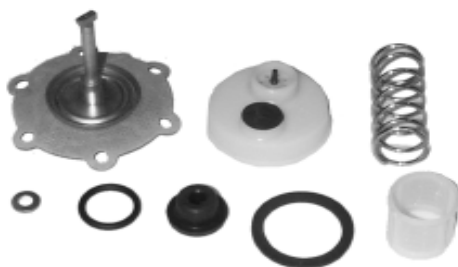
## Lift Pump Service Kit



*Application*  
P1886/5 suit Ford (Europa)

**D43327**

## Lift Pump Service Kit



*Application*  
suit AC type YD lift pumps Deutz & Lombardini



*A p p l i c a t i o n*

Deutz lift pump

Lift Pump Service Kit

D43333



*A p p l i c a t i o n*

Bosch lift pumps

Lift Pump Kit (with hand primer)

D43338



*A p p l i c a t i o n*

various Zexel hand primers

Hand Primer Cover

D43339



*A p p l i c a t i o n*

SPA, SPT type Ambac lift pumps

Lift Pump Mounting Gasket

DGA400554



# LIFT PUMP REPAIR KITS AND ACCESSORIES



**DIPACO**  
**DIESEL**  
**PARTS**  
**U S A**

**DPE22240**

**Lift Pump Repair Kit**



*A p p l i c a t i o n*

Caterpillar 3300-3406 series - late

**DPE22245**

**Lift Pump Repair Kit**



*A p p l i c a t i o n*

Caterpillar 3300-3406 series - early





***A p p l i c a t i o n***

various

***S p e c i f i c a t i o n s***

inside diameter: 20mm  
outside diameter: 47mm  
width: 14mm

**Ball Bearing (thrust)**



**D028102-0010**

***A p p l i c a t i o n***

various

***S p e c i f i c a t i o n s***

inside diameter: 52mm  
outside diameter: 25mm  
width: 15mm

**Ball Bearing**



**D028102-5010**

***A p p l i c a t i o n***

various Denso combined governors

**Governor Thrust Bearing**



**D090656-0010**

***A p p l i c a t i o n***

"R801" Denso governors

***S p e c i f i c a t i o n s***

inside diameter: 10.4mm  
outside diameter: -  
length: 20.4mm

**Bush**



**D090892-0181**



D1 410 900 014

Roller Bearing

*Application*

various

*Specifications*
inside diameter: 25mm  
outside diameter: 62mm  
width: 17mm

D1 410 900 015

Bearing

photo will  
be available  
in following  
update

*Application*

Various

*Specifications*
inside diameter: -  
outside diameter: -  
thickness: -

D1 410 910 004

Needle Roller Bearing

*Application*

various

*Specifications*
inside diameter: 25mm  
outside diameter: 37mm  
width: 16mm

D1 410 910 005

Needle Roller Bearing

*Application*

various

*Specifications*
inside diameter: 25mm  
outside diameter: 42mm  
width: 16mm



***Application***

RQ & RQV governor throttle shaft

***Specifications***

inside diameter: 11mm  
outside diameter: 15mm  
length: 18mm

**Bush**



**D1 420 301 006**

***Application***

RQ & RQV governor stop shaft

***Specifications***

inside diameter: 8mm  
outside diameter: 12mm  
total length: 15mm  
collar length: 7mm

**Bush**



**D1 420 328 004**

***Application***

RQ & RQV governor stop shaft

***Specifications***

inside diameter: 8mm  
outside diameter: 12mm  
total length: 15mm  
collar length: 4.5mm

**Bush**



**D1 420 328 005**

***Application***

various Bosch governors

***Specifications***

inside diameter: 15mm  
outside diameter: 27.8mm  
width: 2mm

**Needle Roller Bearing**



**D1 420 920 004**



D1 420 920 008

Bearing

*A p p l i c a t i o n*

Various

*S p e c i f i c a t i o n s*

inside diameter: -

outside diameter: -

thickness: -

D15398

Pilot Tube Bush

*A p p l i c a t i o n*

various "DB" Stanadyne pumps

*S p e c i f i c a t i o n s*

inside diameter: 22.25mm

outside diameter: 27mm

length: 46.6mm

D16320

Pilot Tube

*A p p l i c a t i o n*

various "DB" Stanadyne pumps

*S p e c i f i c a t i o n s*

inside diameter: 22.25mm

outside diameter: 27mm

length: 46.6mm

D16323

Pilot Tube Bush

*A p p l i c a t i o n*

Stanadyne pumps

*S p e c i f i c a t i o n s*

inside diameter: 22.25mm

outside diameter: 27mm

length: 51.4mm



***Application***

Stanadyne Pumps

***Specifications***

inside diameter: 22.25mm  
 outside diameter: 27mm  
 length: 42.3mm

**Pilot Tube**



**D18953**

***Application***

various "DM" Stanadyne pumps

***Specifications***

inside diameter: 25mm  
 outside diameter: 62mm  
 width: 17mm

**Ball Bearing**



**D19836**

***Application***

various "DM" Stanadyne pumps

***Specifications***

inside diameter: 30mm  
 outside diameter: 62mm  
 width: 16mm

**Ball Bearing**



**D20274**

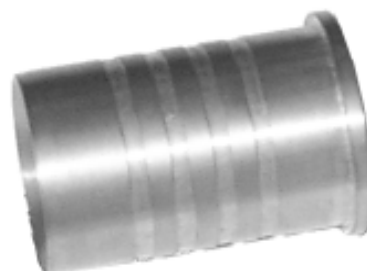
***Application***

various "DB2" Stanadyne pumps

***Specifications***

inside diameter: 22.25mm  
 outside diameter: 27mm  
 length: 42.85mm

**Pilot Tube Bush**



**D23382**



D24101-063064

**Ball Bearing****Application**

Yanmar pumps

**Specifications**

inside diameter: 17mm  
 outside diameter: 47mm  
 width: 14mm

D2 410 910 005

**Roller Bearing****Application**

various Bosch

**Specifications**

inside diameter: 30mm  
 outside diameter: 68mm  
 width: 20mm

D2 410 914 002

**Roller Bearing****Application**

various Bosch

**Specifications**

inside diameter: 36mm  
 outside diameter: 58mm  
 width: 19.5mm

D2 420 301 004

**Bush****Application**

RQ &amp; RQV governor throttle shaft

**Specifications**

inside diameter: 10.8mm  
 outside diameter: 15mm  
 length: 17.6mm  
 material: Brass



### *Application*

various "DB4" Stanadyne pumps

### *Specifications*

inside diameter: 28.5mm  
outside diameter: 38.1mm  
width: 19mm

### Bearing & Seal Kit



**D30806**

### *Application*

various Simms governor throttle shaft

### *Specifications*

inside diameter: 9.5mm  
outside diameter: 12.8mm  
length: 8mm  
material: porous bronze

### Bush



**D506378**

### *Application*

various Denso

### *Specifications*

inside diameter: 10mm  
outside diameter: 30mm  
width: 9mm

### Roller Bearing



**D949100-0010**

### *Application*

various Denso "RU" type governors

### *Specifications*

inside diameter: 15mm  
outside diameter: 31mm  
width: 9mm

### Ball Bearing (thrust)



**D949100-0801**



D949100-0810

Ball Bearing (sealed)

*A p p l i c a t i o n*

various Denso pumps

*S p e c i f i c a t i o n s*

inside diameter: 15mm

outside diameter: 42mm

width: 13mm

D949100-2860

Ball Bearing (thrust)

*A p p l i c a t i o n*

various Denso governors

*S p e c i f i c a t i o n s*

inside diameter: 3mm

outside diameter: 8mm

width: 3.5mm

D949100-2970

Needle Roller Bearing

photo will  
be available  
in following  
update

*A p p l i c a t i o n*

various

*S p e c i f i c a t i o n s*

inside diameter: 12mm

outside diameter: 24mm

width: 13mm

D949101-0140

Tapered Roller Bearing

*A p p l i c a t i o n*

various Denso pumps

*S p e c i f i c a t i o n s*

inside diameter: 20mm

outside diameter: 52mm

width: 17mm





***A p p l i c a t i o n***

AMBAC governors

***S p e c i f i c a t i o n s***

inside diameter: 15.8mm  
outside diameter: 36mm  
width: 14.2mm

**Thrust Bearing**



**DBB403798**

***A p p l i c a t i o n***

AMBAC governors

***S p e c i f i c a t i o n s***

inside diameter: 17mm  
outside diameter: 40mm  
width: 12mm

**Ball Bearing with Circlip**



**DBB410315**

***A p p l i c a t i o n***

AMBAC governor throttle shaft

***S p e c i f i c a t i o n s***

inside diameter: 9.6mm  
outside diameter: 12.8mm  
length: 9.5mm

**Bush**



**DBG400704**

***A p p l i c a t i o n***

Caterpillar governors

**Needle Roller Bearing**

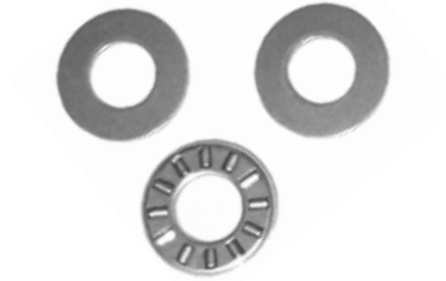


**D7M7219**



DPE17219

Needle Roller Kit

*Application*

Caterpillar governors

D1 420 301 002

Bush

*Application*

RQ &amp; RQV governor throttle shafts

*Specifications*

inside diameter: 11mm

outside diameter: 15mm

length: 21mm

D1 460 324 315

Bush

*Application*

VE governor covers

*Specifications*

inside diameter: 10mm

outside diameter: 14mm

length: 19.9mm

D1 460 324 316

Bush

*Application*

VE governor covers

*Specifications*

inside diameter: 10mm

outside diameter: 14mm

length: 24.4mm



### *Application*

VE governor covers

### *Specifications*

inside diameter: 10mm  
outside diameter: 14mm  
length: 35.1mm

### Bush



**D1 460 324 332**

### *Application*

VE governor covers

### *Specifications*

inside diameter: 10mm  
outside diameter: 14mm  
thickness: 30.6mm

### Bush



**D1 460 324 333**

### *Application*

VE governor covers

### *Specifications*

inside diameter: 10mm  
outside diameter: 14mm  
length: 33.5mm

### Bush



**D1 460 324 337**

### *Application*

VE drive shaft (17mm)

### *Specifications*

inside diameter: 16.5mm  
outside diameter: 21.2mm  
length: 15.2mm

### Bush

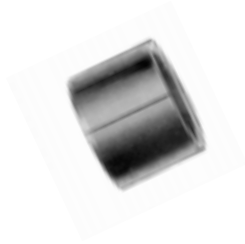


**D1 460 400 004**



D1 460 400 014

Bush

*Application*

VE drive shaft (20mm)

*Specifications*

inside diameter: 19.5mm

outside diameter: 24.2mm

length: 15.2mm

D1 900 301 012

Bush

*Application*

various governor shafts

*Specifications*

inside diameter: 8mm

outside diameter: 12mm

length: 10mm

D1 900 900 302

Ball Bearing

*Application*

various

*Specifications*

inside diameter: 12mm

outside diameter: 32mm

width: 10mm

D1 900 900 305

Ball Bearing

*Application*

various

*Specifications*

inside diameter: 17mm

outside diameter: 40mm

width: 12mm



***A p p l i c a t i o n***

various

***S p e c i f i c a t i o n s***

inside diameter: 17mm  
outside diameter: 40mm  
width: 10mm

**Ball Bearing**



**D1 900 900 018**

***A p p l i c a t i o n***

various

***S p e c i f i c a t i o n s***

inside diameter: 17mm  
outside diameter: 40mm  
width: 13.5mm

**Tapered Roller Bearing**



**D1 900 910 201**

***A p p l i c a t i o n***

various

***S p e c i f i c a t i o n s***

inside diameter: 20mm  
outside diameter: 42mm  
width: 15.5mm

**Tapered Roller Bearing**



**D1 900 910 202**

***A p p l i c a t i o n***

various

***S p e c i f i c a t i o n s***

inside diameter: 25mm  
outside diameter: 52mm  
width: 15.5mm

**Tapered Roller Bearing**



**D1 900 910 203**



D1 900 910 204

Tapered Roller Bearing

*A p p l i c a t i o n*

various

*S p e c i f i c a t i o n s*

inside diameter: 30mm

outside diameter: 62mm

width: 17.5mm

D1 900 910 240

Tapered Roller Bearing

*A p p l i c a t i o n*

various

*S p e c i f i c a t i o n s*

inside diameter: 25mm

outside diameter: 52mm

width: 19.5mm

D1 900 910 241

Tapered Roller Bearing

*A p p l i c a t i o n*

various

*S p e c i f i c a t i o n s*

inside diameter: 30mm

outside diameter: 62mm

width: 21.5mm

D20084

Roller Bearing

*A p p l i c a t i o n*

various Simms pumps

*S p e c i f i c a t i o n s*

inside diameter: 20mm

outside diameter: 47mm

width: 12mm



***A p p l i c a t i o n***

various Simms governors

***S p e c i f i c a t i o n s***

inside diameter: 29mm  
 outside diameter: 44mm  
 width: 4.7mm

**Ball Bearing (all steel cage)**

**D500120**



***A p p l i c a t i o n***

Simms pump throttle shaft

***S p e c i f i c a t i o n s***

inside diameter: 9.5mm  
 outside diameter: 13.1mm  
 total length: 18mm  
 collar length: 5mm

**Bush**

**D501849**



***A p p l i c a t i o n***

various Simms pumps

***S p e c i f i c a t i o n s***

inside diameter: 20mm  
 outside diameter: 47mm  
 width: 12.5mm

**Tapered Roller Bearing**

**D503742**



***A p p l i c a t i o n***

various Simms governors

***S p e c i f i c a t i o n s***

inside diameter: 29mm  
 outside diameter: 44mm  
 width: 4.7mm

**Roller Bearing (in nylon cage)**

**D503743**



**DRB1004****Tapered Roller Bearing*****A p p l i c a t i o n***

various AMBAC pumps

***S p e c i f i c a t i o n s***

inside diameter: 25.5mm

outside diameter: 62mm

width: 21mm

**DRB400059****Tapered Roller Bearing*****A p p l i c a t i o n***

various AMBAC pumps

***S p e c i f i c a t i o n s***

inside diameter: 35mm

outside diameter: 65mm

width: 18.5mm





*Application*  
Stanadyne systems

**Hand Primer Assembly**

**D18976**



*Application*  
Stanadyne systems

**Hand Primer Assembly**

**D23457**



*Application*  
adaptable to CAV filters

*Specifications*

threads:                      outlet/inlet 1/2"  
   UNF

**Hand Primer Assembly**

**D6223003**



*Application*  
various Denso

**Hand Primer Assembly**

**D092130-0050**





D092130-0220

Hand Primer Assembly

*Application*

various Denso

*Specifications*

spring loaded

D152200-1220

Hand Primer Assembly

*Application*

various Zexel

D152200-5320

Hand Primer Assembly

*Application*

Mazda &amp; Ford

*Specifications*

o-ring mount type

D152200-5420

Hand Primer Assembly

*Application*

various Zexel

*Specifications*

o-ring mount type



*Application*

Nissan

*Specifications*

o-ring mount type

Hand Primer Assembly



D152200-5620

*Application*

various Bosch

Hand Primer Assembly



D2 447 010 033

*Application*

3208, 3300 series, 3406B Caterpillar

Hand Primer Assembly



D4W0788

*Application*

8 Cylinder Mack

Hand Primer Assembly



DMP404760



D0 440 011 007

Hand Primer Assembly

*A p p l i c a t i o n*

various Bosch

*S p e c i f i c a t i o n s*

chassis or engine mount

D2 447 222 000

Hand Primer Assembly

*A p p l i c a t i o n*

various Bosch

D2 447 222 020

Hand Primer Assembly

*A p p l i c a t i o n*

various Bosch

D43362

Hand Primer Assembly

*A p p l i c a t i o n*

various

*S p e c i f i c a t i o n s*

rubber hand primer with 10mm barbs



*Application*  
various Zexel pumps

Hand Primer Assembly

D52200-1120



*Application*  
various Ford

Hand Primer Assembly

D5501006

*Specifications*

photo will  
be available  
in following  
update

*Application*  
various

Hand Primer Assembly

D9001-088

*Specifications*  
rubber hand primer with 8mm barbs



*Application*  
CAV-ROTO diesel

Hand Primer Assembly

D9041-144H



# HAND PRIMERS

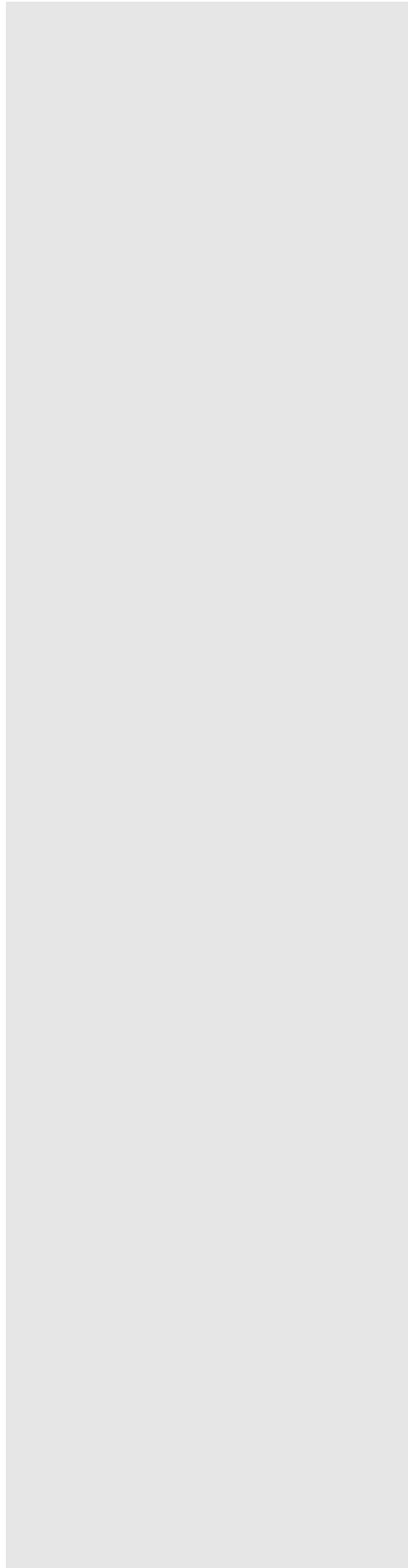
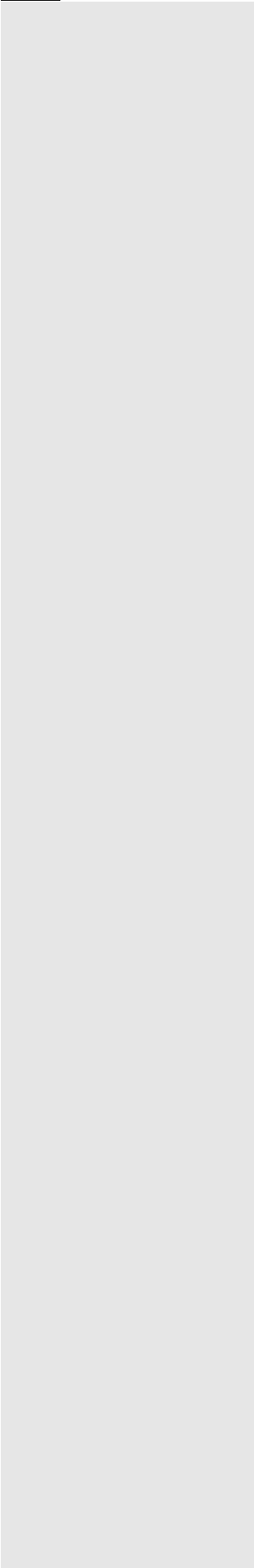
---



**DIPACO**  
**DIESEL**  
**PARTS**  

---

**U S A**





***Application***

Volvo BM846 loader

***Specifications***

voltage: 24V

**Solenoid**



**D0 330 001 003**

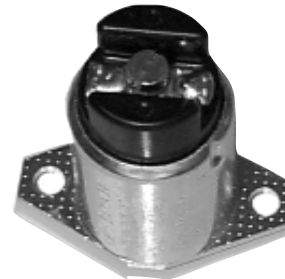
***Application***

various

***Specifications***

voltage: 12V

**Solenoid**



**D0 330 001 004**

***Application***

various VA pumps

***Specifications***

voltage: 12V

**Solenoid**



**D0 330 106 006**

***Application***

various Denso "VE" pumps

***Specifications***

voltage: -

**Tacho Pick Up Assembly**



**D076300-1690**



D076300-1950

Tacho Pick Up Assembly

*Application*

various Denso "VE"

*Specifications*

voltage: -

D096010-0500

Solenoid Kit

*Application*

various VE pumps (Denso only)

*Specifications*

voltage: 12V

D096010-0510

Solenoid Kit

*Application*

various VE pumps (Denso only)

*Specifications*

voltage: 24V

D096030-0160

Solenoid

*Application*

various Denso VE pumps

*Specifications*

voltage: 12V





***A p p l i c a t i o n***

various Denso VE pumps

***S p e c i f i c a t i o n s***

voltage: 12V

**Solenoid**



**D096030-0520**

***A p p l i c a t i o n***

suit Denso solenoids

**Lead Wire Assembly**



**D096045-0060**

***A p p l i c a t i o n***

various Zexel VE pumps

***S p e c i f i c a t i o n s***

voltage: 24V

**Solenoid**



**D146650-0820**

***A p p l i c a t i o n***

various Zexel VE pumps

***S p e c i f i c a t i o n s***

voltage: 12V

**Solenoid**



**D146650-1220**

## SOLENOIDS



**DIPACO**  
**DIESEL**  
**PARTS**  
**U S A**

D146650-2420

Solenoid

*Application*

various Zexel VE pumps

*Specifications*

voltage: 12V

D146650-2520

Solenoid

*Application*

various Zexel VE pumps

*Specifications*

voltage: 24V

D146658-4020

Lead Wire Assembly

*Application*

suit Zexel solenoids

D146658-8920

Lead Wire Assembly

*Application*

suit Zexel solenoids



***Application***

various Stanadyne pumps

***Specifications***

voltage: 12V (ETR)  
energised to run

**Solenoid**



**D26214**

***Application***

various Stanadyne pumps

***Specifications***

voltage: 24V (ETR)  
energised to run

**Solenoid**



**D26387**

***Application***

various Stanadyne solenoids

**Solenoid & Mounting Kit**



**D26431**

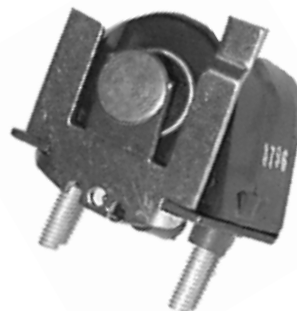
***Application***

various Stanadyne pumps

***Specifications***

voltage: 6V (ETSO)  
energised to shut  
off

**Solenoid**



**D26921**



D9080-127

Solenoid (with leads)

*Application*

various DPA (Japanese)

*Specifications*

voltage: 12V

D134075

Solenoid

*Application*

Cummins pumps

*Specifications*voltage: 12V  
(dual terminal)

D134076

Solenoid

*Application*

Cummins pumps

*Specifications*voltage: 24V  
(dual terminal)

D3054610

Solenoid

*Application*

Cummins pumps

*Specifications*voltage: 24V  
(single terminal)



***Application***

Cummins pumps

***Specifications***

voltage: 12V  
(single terminal)

**Solenoid**



**D3054611**

***Application***

suit 3208 & CAT Universal

***Specifications***

voltage: 24V

**Solenoid**



**D6N9987**

***Application***

suit 3208 & CAT Universal

***Specifications***

voltage: 12V

**Solenoid**



**D6N9988**

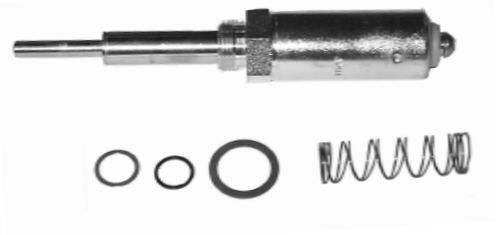
***Application***

various AMBAC model 100 pumps

***Specifications***

voltage: 12V

**Solenoid**



**DKT85208**

# SOLENOIDS



**DIPACO**  
**DIESEL**  
**PARTS**  
**U S A**

**D0 330 001 015**

**Solenoid**



***A p p l i c a t i o n***

various VE pumps

***S p e c i f i c a t i o n s***

voltage: 12V

**D0 330 001 016**

**Solenoid**



***A p p l i c a t i o n***

various VE pumps

***S p e c i f i c a t i o n s***

voltage: 24V

**D7167-620A**

**Solenoid**



***A p p l i c a t i o n***

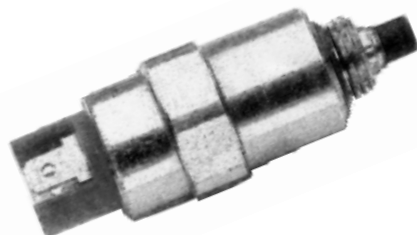
various DPA, DPS pumps

***S p e c i f i c a t i o n s***

voltage: 12V

**D7167-620D**

**Solenoid**



***A p p l i c a t i o n***

various DPA, DPS pumps

***S p e c i f i c a t i o n s***

voltage: 12V



***A p p l i c a t i o n***

various DPA, DPS pumps

***S p e c i f i c a t i o n s***

voltage: 24V

**Solenoid**



**D7180-49A**

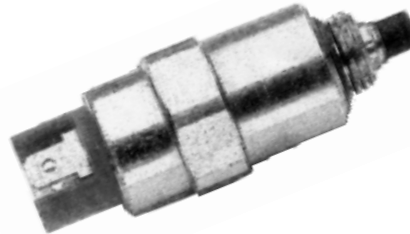
***A p p l i c a t i o n***

various DPA, DPS pumps

***S p e c i f i c a t i o n s***

voltage: 24V

**Solenoid**



**D7180-49D**

***A p p l i c a t i o n***

various DPA, DPS pumps

***S p e c i f i c a t i o n s***

voltage: 12V

**Solenoid**



**D9009-049**

# SOLENOIDS



**DIPACO**  
**DIESEL**  
**PARTS**  
**U S A**





<p><b>Application</b>  Navistar DT360/DT466</p> <p><b>Specifications</b></p> <table border="0"> <tr><td>D675816C1</td><td>Access Cover Gasket</td><td>1</td></tr> <tr><td>D675609C2</td><td>Pump Mount Gasket</td><td>1</td></tr> <tr><td>D265204R1</td><td>3/8" Fuel Line Sleeve</td><td>6</td></tr> <tr><td>D680246C1</td><td>Injector Return Hose (Ft)</td><td>4</td></tr> <tr><td>D915500R1</td><td>1/4" Fuel Line Sleeve</td><td>4</td></tr> <tr><td>D1802452C1</td><td>Injector Return Cap</td><td>1</td></tr> <tr><td>D1802453C1</td><td>Return Hose Clamp</td><td>13</td></tr> <tr><td>D675477C1</td><td>Nozzle Gasket</td><td>6</td></tr> <tr><td>D682810C1</td><td>Injector Dust Seal</td><td>6</td></tr> </table>	D675816C1	Access Cover Gasket	1	D675609C2	Pump Mount Gasket	1	D265204R1	3/8" Fuel Line Sleeve	6	D680246C1	Injector Return Hose (Ft)	4	D915500R1	1/4" Fuel Line Sleeve	4	D1802452C1	Injector Return Cap	1	D1802453C1	Return Hose Clamp	13	D675477C1	Nozzle Gasket	6	D682810C1	Injector Dust Seal	6	<p><b>Pump and Injector  Installation Kit</b></p>	<p><b>DPE46600</b></p>									
D675816C1	Access Cover Gasket	1																																				
D675609C2	Pump Mount Gasket	1																																				
D265204R1	3/8" Fuel Line Sleeve	6																																				
D680246C1	Injector Return Hose (Ft)	4																																				
D915500R1	1/4" Fuel Line Sleeve	4																																				
D1802452C1	Injector Return Cap	1																																				
D1802453C1	Return Hose Clamp	13																																				
D675477C1	Nozzle Gasket	6																																				
D682810C1	Injector Dust Seal	6																																				
<p><b>Application</b>  Navistar DT360/DT466</p> <p><b>Specifications</b></p> <table border="0"> <tr><td>D675816C1</td><td>Access Cover Gasket</td><td>1</td></tr> <tr><td>D675609C2</td><td>Pump Mount Gasket</td><td>1</td></tr> <tr><td>D265204R1</td><td>3/8" Fuel Line Sleeve</td><td>6</td></tr> <tr><td>D915500R1</td><td>1/4" Fuel Line Sleeve</td><td>4</td></tr> </table>	D675816C1	Access Cover Gasket	1	D675609C2	Pump Mount Gasket	1	D265204R1	3/8" Fuel Line Sleeve	6	D915500R1	1/4" Fuel Line Sleeve	4	<p><b>Pump Installation Kit</b></p>	<p><b>DPE46610</b></p>																								
D675816C1	Access Cover Gasket	1																																				
D675609C2	Pump Mount Gasket	1																																				
D265204R1	3/8" Fuel Line Sleeve	6																																				
D915500R1	1/4" Fuel Line Sleeve	4																																				
<p><b>Application</b>  Navistar DT360/DT466</p> <p><b>Specifications</b></p> <table border="0"> <tr><td>D680246C1</td><td>Injector Return Hose (Ft)</td><td>4</td></tr> <tr><td>D1802452C1</td><td>Injector Return Cap</td><td>1</td></tr> <tr><td>D1802453C1</td><td>Injector Return Clamp</td><td>13</td></tr> <tr><td>D675477C1</td><td>Nozzle Gasket</td><td>6</td></tr> <tr><td>D682810C1</td><td>Injector Dust Seal</td><td>6</td></tr> </table>	D680246C1	Injector Return Hose (Ft)	4	D1802452C1	Injector Return Cap	1	D1802453C1	Injector Return Clamp	13	D675477C1	Nozzle Gasket	6	D682810C1	Injector Dust Seal	6	<p><b>Injector Installation  Kit</b></p>	<p><b>DPE46620</b></p>																					
D680246C1	Injector Return Hose (Ft)	4																																				
D1802452C1	Injector Return Cap	1																																				
D1802453C1	Injector Return Clamp	13																																				
D675477C1	Nozzle Gasket	6																																				
D682810C1	Injector Dust Seal	6																																				
<p><b>Application</b>  Navistar and Ford 6.9L/7.3L</p> <p><b>Specifications</b></p> <table border="0"> <tr><td>D680246C1</td><td>Injector Return Hose (Ft)</td><td>6</td></tr> <tr><td>D1802453C1</td><td>Injector Return Clamp</td><td>18</td></tr> <tr><td>D1804332C1</td><td>Return Hose Adapter</td><td>4</td></tr> <tr><td>D1805670C1</td><td>Return Hose Adapter</td><td>3</td></tr> <tr><td>D1807947C1</td><td>Return Hose Adapter</td><td>1</td></tr> <tr><td>D355966R1</td><td>Return Line O-Ring</td><td>16</td></tr> <tr><td>D489256C1</td><td>Injector Washer</td><td>8</td></tr> <tr><td>D134630H1</td><td>5/16" Fuel Line Sleeve</td><td>2</td></tr> <tr><td>D265204R1</td><td>3/8" Fuel Line Sleeve</td><td>1</td></tr> <tr><td>D369384R1</td><td>Fuel Inlet O-Ring</td><td>1</td></tr> <tr><td>D28549R1</td><td>Pump Mount Bolt</td><td>3</td></tr> <tr><td>D382781R1</td><td>Pump Mount O-Ring</td><td>1</td></tr> </table>	D680246C1	Injector Return Hose (Ft)	6	D1802453C1	Injector Return Clamp	18	D1804332C1	Return Hose Adapter	4	D1805670C1	Return Hose Adapter	3	D1807947C1	Return Hose Adapter	1	D355966R1	Return Line O-Ring	16	D489256C1	Injector Washer	8	D134630H1	5/16" Fuel Line Sleeve	2	D265204R1	3/8" Fuel Line Sleeve	1	D369384R1	Fuel Inlet O-Ring	1	D28549R1	Pump Mount Bolt	3	D382781R1	Pump Mount O-Ring	1	<p><b>Pump and Injector  Installation Kit</b></p>	<p><b>DPE69100</b></p>
D680246C1	Injector Return Hose (Ft)	6																																				
D1802453C1	Injector Return Clamp	18																																				
D1804332C1	Return Hose Adapter	4																																				
D1805670C1	Return Hose Adapter	3																																				
D1807947C1	Return Hose Adapter	1																																				
D355966R1	Return Line O-Ring	16																																				
D489256C1	Injector Washer	8																																				
D134630H1	5/16" Fuel Line Sleeve	2																																				
D265204R1	3/8" Fuel Line Sleeve	1																																				
D369384R1	Fuel Inlet O-Ring	1																																				
D28549R1	Pump Mount Bolt	3																																				
D382781R1	Pump Mount O-Ring	1																																				

# INSTALLATION AND REPAIR KITS



**DIPACO**  
**DIESEL**  
**PARTS**  
**U S A**

<p><b>DPE69110</b></p>	<p><b>Pump Installation Kit</b></p>	<p><b>Application</b> Navistar and Ford 6.9L/7.3L</p> <p><b>Specifications</b></p> <table border="0"> <tr> <td>D134630H1</td> <td>5/16" Fuel Line Sleeve</td> <td>2</td> </tr> <tr> <td>D265204R1</td> <td>3/8" Fuel Line Sleeve</td> <td>1</td> </tr> <tr> <td>D369384R1</td> <td>Fuel Inlet O-Ring</td> <td>1</td> </tr> <tr> <td>D28549R1</td> <td>Pump Mount Bolt</td> <td>3</td> </tr> <tr> <td>D382781R1</td> <td>Pump Mount O-Ring</td> <td>1</td> </tr> </table>	D134630H1	5/16" Fuel Line Sleeve	2	D265204R1	3/8" Fuel Line Sleeve	1	D369384R1	Fuel Inlet O-Ring	1	D28549R1	Pump Mount Bolt	3	D382781R1	Pump Mount O-Ring	1																		
D134630H1	5/16" Fuel Line Sleeve	2																																	
D265204R1	3/8" Fuel Line Sleeve	1																																	
D369384R1	Fuel Inlet O-Ring	1																																	
D28549R1	Pump Mount Bolt	3																																	
D382781R1	Pump Mount O-Ring	1																																	
<p><b>DPE69120</b></p>	<p><b>Injector Installation Kit</b></p>	<p><b>Application</b> Navistar and Ford 6.9L/7.3L</p> <p><b>Specifications</b></p> <table border="0"> <tr> <td>D680246C1</td> <td>Injector Return Hose (Ft)</td> <td>6</td> </tr> <tr> <td>D1802453C1</td> <td>Injector Return Clamp</td> <td>18</td> </tr> <tr> <td>D1804332C1</td> <td>Return Hose Adapter</td> <td>4</td> </tr> <tr> <td>D1805670C1</td> <td>Return Hose Adapter</td> <td>3</td> </tr> <tr> <td>D1807947C1</td> <td>Return Hose Adapter</td> <td>1</td> </tr> <tr> <td>D355966R1</td> <td>Return Line O-Ring</td> <td>16</td> </tr> <tr> <td>D489256C1</td> <td>Injector Washer</td> <td>8</td> </tr> </table>	D680246C1	Injector Return Hose (Ft)	6	D1802453C1	Injector Return Clamp	18	D1804332C1	Return Hose Adapter	4	D1805670C1	Return Hose Adapter	3	D1807947C1	Return Hose Adapter	1	D355966R1	Return Line O-Ring	16	D489256C1	Injector Washer	8												
D680246C1	Injector Return Hose (Ft)	6																																	
D1802453C1	Injector Return Clamp	18																																	
D1804332C1	Return Hose Adapter	4																																	
D1805670C1	Return Hose Adapter	3																																	
D1807947C1	Return Hose Adapter	1																																	
D355966R1	Return Line O-Ring	16																																	
D489256C1	Injector Washer	8																																	
<p><b>DPE69130</b></p>	<p><b>Minor Injector Installation Kit</b></p>	<p><b>Application</b> Navistar and Ford 6.9L/7.3L</p> <p><b>Specifications</b></p> <table border="0"> <tr> <td>D1802453C1</td> <td>Injector Return Clamp</td> <td>18</td> </tr> <tr> <td>D355966R1</td> <td>Return Line O-Ring</td> <td>16</td> </tr> <tr> <td>D489256C1</td> <td>Injector Washer</td> <td>8</td> </tr> </table>	D1802453C1	Injector Return Clamp	18	D355966R1	Return Line O-Ring	16	D489256C1	Injector Washer	8																								
D1802453C1	Injector Return Clamp	18																																	
D355966R1	Return Line O-Ring	16																																	
D489256C1	Injector Washer	8																																	
<p><b>DPE73100</b></p>	<p><b>Pump and Injector Installation Kit</b></p>	<p><b>Application</b> Navistar and Ford 7.3L Late Style</p> <p><b>Specifications</b></p> <table border="0"> <tr> <td>D1813259C1</td> <td>Injector Return Hose (Ft)</td> <td>6</td> </tr> <tr> <td>D1811226C1</td> <td>Injector Return Clamp</td> <td>18</td> </tr> <tr> <td>D1811230C1</td> <td>Return Hose Adapter</td> <td>6</td> </tr> <tr> <td>D1811231C2</td> <td>Return Hose Adapter</td> <td>4</td> </tr> <tr> <td>D355966R1</td> <td>Return Line O-Ring</td> <td>16</td> </tr> <tr> <td>D489256C1</td> <td>Injector Washer</td> <td>8</td> </tr> <tr> <td>D134630H1</td> <td>5/16" Fuel Line Sleeve</td> <td>2</td> </tr> <tr> <td>D265204R1</td> <td>3/8" Fuel Line Sleeve</td> <td>1</td> </tr> <tr> <td>D369384R1</td> <td>Fuel Inlet O-Ring</td> <td>1</td> </tr> <tr> <td>D28549R1</td> <td>Pump Mount Bolt</td> <td>3</td> </tr> <tr> <td>D382781R1</td> <td>Pump Mount O-Ring</td> <td>1</td> </tr> </table>	D1813259C1	Injector Return Hose (Ft)	6	D1811226C1	Injector Return Clamp	18	D1811230C1	Return Hose Adapter	6	D1811231C2	Return Hose Adapter	4	D355966R1	Return Line O-Ring	16	D489256C1	Injector Washer	8	D134630H1	5/16" Fuel Line Sleeve	2	D265204R1	3/8" Fuel Line Sleeve	1	D369384R1	Fuel Inlet O-Ring	1	D28549R1	Pump Mount Bolt	3	D382781R1	Pump Mount O-Ring	1
D1813259C1	Injector Return Hose (Ft)	6																																	
D1811226C1	Injector Return Clamp	18																																	
D1811230C1	Return Hose Adapter	6																																	
D1811231C2	Return Hose Adapter	4																																	
D355966R1	Return Line O-Ring	16																																	
D489256C1	Injector Washer	8																																	
D134630H1	5/16" Fuel Line Sleeve	2																																	
D265204R1	3/8" Fuel Line Sleeve	1																																	
D369384R1	Fuel Inlet O-Ring	1																																	
D28549R1	Pump Mount Bolt	3																																	
D382781R1	Pump Mount O-Ring	1																																	



### *Application*

Navistar and Ford 7.3L Late Style

### *Specifications*

D1813259C1	Injector Return Hose (Ft)	6
D1811226C1	Injector Return Clamp	18
D1811230C1	Return Hose Adapter	6
D1811231C2	Return Hose Adapter	4
D355966R1	Return Line O-Ring	16
D489256C1	Injector Washer	8

### Injector Installation Kit

**DPE73120**

### *Application*

Navistar and Ford 7.3L Late Style

### *Specifications*

D1811226C1	Injector Return Clamp	16
D355966R1	Return Line O-Ring	16
D489256C1	Injector Washer	8

### Minor Injector Installation Kit

**DPE73130**

# INSTALLATION AND REPAIR KITS



**DIPACO**  
**DIESEL**  
**PARTS**  
**U S A**

<p><b>DPE14002</b></p>	<p><b>Injector Installation Kit</b></p>	<p><b><i>A p p l i c a t i o n</i></b> Mack 2 Valve Head Late Style</p> <p><b><i>S p e c i f i c a t i o n s</i></b></p> <table border="0"> <tr> <td>D243AX6F-7</td> <td>Injector Hose (Ft)</td> <td>7</td> </tr> <tr> <td>D446GC1995</td> <td>O-Ring</td> <td>6</td> </tr> <tr> <td>D49AX252</td> <td>End Cap</td> <td>1</td> </tr> <tr> <td>D590GB1127</td> <td>Nozzle Gasket</td> <td>6</td> </tr> <tr> <td>D83AX906</td> <td>Fuel Hose Clamp</td> <td>1</td> </tr> <tr> <td>D83AX985</td> <td>Fuel Hose Clamp</td> <td>4</td> </tr> <tr> <td>DPE602</td> <td>Injector Banjo Connector</td> <td>6</td> </tr> </table>	D243AX6F-7	Injector Hose (Ft)	7	D446GC1995	O-Ring	6	D49AX252	End Cap	1	D590GB1127	Nozzle Gasket	6	D83AX906	Fuel Hose Clamp	1	D83AX985	Fuel Hose Clamp	4	DPE602	Injector Banjo Connector	6
D243AX6F-7	Injector Hose (Ft)	7																					
D446GC1995	O-Ring	6																					
D49AX252	End Cap	1																					
D590GB1127	Nozzle Gasket	6																					
D83AX906	Fuel Hose Clamp	1																					
D83AX985	Fuel Hose Clamp	4																					
DPE602	Injector Banjo Connector	6																					
<p><b>DPE14002E</b></p>	<p><b>Injector Installation Kit</b></p>	<p><b><i>A p p l i c a t i o n</i></b> Mack 2 Valve Head Early Style</p> <p><b><i>S p e c i f i c a t i o n s</i></b></p> <table border="0"> <tr> <td>D243AX6F-7</td> <td>Injector Hose (Ft)</td> <td>7</td> </tr> <tr> <td>D590GB1127</td> <td>Nozzle Gasket</td> <td>6</td> </tr> <tr> <td>D590GB1143</td> <td>Nozzle Dust Seal</td> <td>6</td> </tr> <tr> <td>D83AX985</td> <td>Fuel Hose Clamp</td> <td>4</td> </tr> <tr> <td>DPE605</td> <td>Injector Banjo Connector</td> <td>6</td> </tr> </table>	D243AX6F-7	Injector Hose (Ft)	7	D590GB1127	Nozzle Gasket	6	D590GB1143	Nozzle Dust Seal	6	D83AX985	Fuel Hose Clamp	4	DPE605	Injector Banjo Connector	6						
D243AX6F-7	Injector Hose (Ft)	7																					
D590GB1127	Nozzle Gasket	6																					
D590GB1143	Nozzle Dust Seal	6																					
D83AX985	Fuel Hose Clamp	4																					
DPE605	Injector Banjo Connector	6																					
<p><b>DPE14004</b></p>	<p><b>Injector Installation Kit</b></p>	<p><b><i>A p p l i c a t i o n</i></b> Mack 4 Valve Head</p> <p><b><i>S p e c i f i c a t i o n s</i></b></p> <table border="0"> <tr> <td>D243AX6F-3</td> <td>Injector Hose (Ft)</td> <td>3</td> </tr> <tr> <td>D446GC1208</td> <td>Injector O-Ring</td> <td>12</td> </tr> <tr> <td>D56AX460</td> <td>Injector O-Ring</td> <td>6</td> </tr> <tr> <td>D590GB1338</td> <td>Injector Washer</td> <td>6</td> </tr> <tr> <td>D83AX985</td> <td>Fuel Return Hose Clamp</td> <td>4</td> </tr> </table>	D243AX6F-3	Injector Hose (Ft)	3	D446GC1208	Injector O-Ring	12	D56AX460	Injector O-Ring	6	D590GB1338	Injector Washer	6	D83AX985	Fuel Return Hose Clamp	4						
D243AX6F-3	Injector Hose (Ft)	3																					
D446GC1208	Injector O-Ring	12																					
D56AX460	Injector O-Ring	6																					
D590GB1338	Injector Washer	6																					
D83AX985	Fuel Return Hose Clamp	4																					
<p><b>DPE1400G</b></p>	<p><b>Injector Installation Kit with Rocker Cover and Breather Gaskets</b></p>	<p><b><i>A p p l i c a t i o n</i></b> Mack 4 Valve Head</p> <p><b><i>S p e c i f i c a t i o n s</i></b></p> <table border="0"> <tr> <td>D243AX6F-3</td> <td>Injector Hose (Ft)</td> <td>3</td> </tr> <tr> <td>D446GC1208</td> <td>Injector O-Ring</td> <td>12</td> </tr> <tr> <td>D56AX460</td> <td>Injector O-Ring</td> <td>6</td> </tr> <tr> <td>D590GB1338</td> <td>Injector Washer</td> <td>6</td> </tr> <tr> <td>D83AX985</td> <td>Fuel Return Hose Clamp</td> <td>4</td> </tr> <tr> <td>D554GB115</td> <td>Rocker Cover Gasket</td> <td>2</td> </tr> <tr> <td>D590GB2111A</td> <td>Breather Tube Gasket</td> <td>2</td> </tr> </table>	D243AX6F-3	Injector Hose (Ft)	3	D446GC1208	Injector O-Ring	12	D56AX460	Injector O-Ring	6	D590GB1338	Injector Washer	6	D83AX985	Fuel Return Hose Clamp	4	D554GB115	Rocker Cover Gasket	2	D590GB2111A	Breather Tube Gasket	2
D243AX6F-3	Injector Hose (Ft)	3																					
D446GC1208	Injector O-Ring	12																					
D56AX460	Injector O-Ring	6																					
D590GB1338	Injector Washer	6																					
D83AX985	Fuel Return Hose Clamp	4																					
D554GB115	Rocker Cover Gasket	2																					
D590GB2111A	Breather Tube Gasket	2																					



<p><b>Application</b>  Mack 6 Cylinder 4 Valve Head  Bosch MECH or VMAC pumps</p> <p><b>Specifications</b></p> <table border="0"> <tr> <td>D2410210014</td> <td>Pump Mount O-Ring</td> <td>1</td> </tr> <tr> <td>D56AX548</td> <td>Timing Inspection O-Ring</td> <td>1</td> </tr> <tr> <td>D590GB2130</td> <td>Pump Mount Gasket</td> <td>1</td> </tr> </table>	D2410210014	Pump Mount O-Ring	1	D56AX548	Timing Inspection O-Ring	1	D590GB2130	Pump Mount Gasket	1	<p><b>Pump Installation Kit</b></p>	<p><b>DPE46110</b></p>									
D2410210014	Pump Mount O-Ring	1																		
D56AX548	Timing Inspection O-Ring	1																		
D590GB2130	Pump Mount Gasket	1																		
<p><b>Application</b>  Mack 6 Cylinder 4 Valve Head  Bosch MECH or VMAC pumps</p> <p><b>Specifications</b></p> <table border="0"> <tr> <td>D243AX6F-7</td> <td>Injector Hose (Ft)</td> <td>7</td> </tr> <tr> <td>D446GC1208</td> <td>Injector O-Ring</td> <td>6</td> </tr> <tr> <td>D56AX460</td> <td>Injector O-Ring</td> <td>6</td> </tr> <tr> <td>D590GB1338</td> <td>Injector Washer</td> <td>6</td> </tr> <tr> <td>D590GB2111A</td> <td>Breather Gasket</td> <td>2</td> </tr> <tr> <td>D83AX985</td> <td>Fuel Return Clamp</td> <td>4</td> </tr> </table>	D243AX6F-7	Injector Hose (Ft)	7	D446GC1208	Injector O-Ring	6	D56AX460	Injector O-Ring	6	D590GB1338	Injector Washer	6	D590GB2111A	Breather Gasket	2	D83AX985	Fuel Return Clamp	4	<p><b>Injector Installation Kit</b></p>	<p><b>DPE46120</b></p>
D243AX6F-7	Injector Hose (Ft)	7																		
D446GC1208	Injector O-Ring	6																		
D56AX460	Injector O-Ring	6																		
D590GB1338	Injector Washer	6																		
D590GB2111A	Breather Gasket	2																		
D83AX985	Fuel Return Clamp	4																		
<p><b>Application</b>  Mack 8 Cylinder 4 Valve Head  in-line or V style pumps</p> <p><b>Specifications</b></p> <table border="0"> <tr> <td>D446GC320</td> <td>Pump Mount O-Ring</td> <td>1</td> </tr> <tr> <td>D56AX456</td> <td>Pump Mount O-Ring</td> <td>1</td> </tr> <tr> <td>D573GB230</td> <td>Breather Gasket</td> <td>2</td> </tr> <tr> <td>D590GB285</td> <td>Timing Inspection Gasket</td> <td>1</td> </tr> </table>	D446GC320	Pump Mount O-Ring	1	D56AX456	Pump Mount O-Ring	1	D573GB230	Breather Gasket	2	D590GB285	Timing Inspection Gasket	1	<p><b>Pump Installation Kit</b></p>	<p><b>DPE48110</b></p>						
D446GC320	Pump Mount O-Ring	1																		
D56AX456	Pump Mount O-Ring	1																		
D573GB230	Breather Gasket	2																		
D590GB285	Timing Inspection Gasket	1																		
<p><b>Application</b>  Mack 8 Cylinder 4 Valve Head  in-line or V style pumps</p> <p><b>Specifications</b></p> <table border="0"> <tr> <td>D243AX6F-7</td> <td>Injector Hose (Ft)</td> <td>7</td> </tr> <tr> <td>D446GC1208</td> <td>Injector O-Ring</td> <td>8</td> </tr> <tr> <td>D554GB316B</td> <td>Rocker Cover Gasket</td> <td>4</td> </tr> <tr> <td>D56AX460</td> <td>Injector O-Ring</td> <td>8</td> </tr> <tr> <td>D590GB1338</td> <td>Injector Washer</td> <td>8</td> </tr> </table>	D243AX6F-7	Injector Hose (Ft)	7	D446GC1208	Injector O-Ring	8	D554GB316B	Rocker Cover Gasket	4	D56AX460	Injector O-Ring	8	D590GB1338	Injector Washer	8	<p><b>Injector Installation Kit</b></p>	<p><b>DPE46120</b></p>			
D243AX6F-7	Injector Hose (Ft)	7																		
D446GC1208	Injector O-Ring	8																		
D554GB316B	Rocker Cover Gasket	4																		
D56AX460	Injector O-Ring	8																		
D590GB1338	Injector Washer	8																		

# INSTALLATION AND REPAIR KITS



**DIPACO**  
**DIESEL**  
**PARTS**  
**U S A**

**DPE62100**

**Pump and Injector  
Installation Kit**

***A p p l i c a t i o n***

GM 6.2L

***S p e c i f i c a t i o n s***

DPE91586	Manifold Gasket	2
D14022651	Pump Mount Gasket	1
D14033942	Air Cleaner Base Gasket	1
D14066305	Return Hose 9"	8
D14066301	End Cap	2
D10093148	Clamp	2
D14025557	Nozzle Gasket	8

**DPE62110**

**Pump Installation Kit**

***A p p l i c a t i o n***

GM 6.2L

***S p e c i f i c a t i o n s***

DPE91586	Manifold Gasket	2
D14022651	Pump Mount Gasket	1
D14033942	Air Cleaner Base Gasket	1

**DPE62120**

**Injector Installation  
Kit**

***A p p l i c a t i o n***

GM 6.2L/6.5L

***S p e c i f i c a t i o n s***

D14033942	Air Cleaner Base Gasket 6.2L	1
D14066305	Return Hose 9"	8
D14066301	End Cap	2
D10093148	Clamp	2
D14025557	Nozzle Gasket	8
D10137537	Air Cleaner Base Gasket 6.5L	1

**DPE65100**

**Pump and Injector  
Installation Kit**

***A p p l i c a t i o n***

GM 6.5L

***S p e c i f i c a t i o n s***

DPE91586	Manifold Gasket	2
D14022651	Pump Mount Gasket	1
D10137537	Air Cleaner Base Gasket	1
D14066305	Return Hose 9"	8
D14066301	End Cap	2
D10093148	Clamp	2
D14025557	Nozzle Gasket	8
D10191428	EGR Tower Gasket	1



**DIPACO**  
**DIESEL**  
**PARTS**  
**U S A**

# INSTALLATION AND REPAIR KITS

CHAPTER 21

## *A p p l i c a t i o n*

GM 6.5L

## *S p e c i f i c a t i o n s*

DPE91586	Manifold Gasket	2
D14022651	Pump Mount Gasket	1
D10137537	Air Cleaner Base Gasket	1
D10191428	EGR Tower Gasket	1

## Pump Installation Kit

**DPE65110**

# INSTALLATION AND REPAIR KITS



**DIPACO**  
**DIESEL**  
**PARTS**  
**U S A**

**DPE14100**

**Oil Manifold Seal Kit**

***A p p l i c a t i o n***

Cummins N14 with STC fuel system

***S p e c i f i c a t i o n s***

D3001340	O-Ring	6
D3050867	Grommet Seal	6
D3052587	O-Ring	6

**DPE59000**

**Minor Injector Installation Kit**

***A p p l i c a t i o n***

Cummins 'B' series 5.9L

***S p e c i f i c a t i o n s***

D3923261	Nozzle Gasket 7mm	6
D3920174	Injector Washer 7mm	6
D154087	Square Cut O-Ring	6
DPE602	Injector Banjo Connector	6
D3930324	Injector Washer 5mm	6





## A

### Adaptors

- Fitting  
Various 12-9
- Injector  
Navistar 12-11, 12-12,  
12-13
- Male  
Various 12-6
- Thermostart  
Various 12-1
- Union  
Various 12-2, 12-3, 12-4

### Air Cleaner

- Gasket  
GM 15-10, 15-12

### Allis-Chalmers

- Dust Seal 5-4
- Nozzle  
Washer 1-1, 1-2, 1-3
- O-ring  
Dust Seal 5-8
- Washer  
Leak-off 3-4

### AMBAC

- Bearing  
Ball (with Circlip) 18-9  
Tapered Roller 18-16  
Thrust 18-9
- Bush 18-9
- Dust Seal 5-6  
O-ring 5-5, 5-13
- Gasket  
Lift Pump Mounting 17-7
- Mounting  
Gasket 15-2
- Nozzle  
Washer 1-15
- Roller 13-12, 13-14, 13-15
- Seal  
Cover (PLE) 15-2
- Solenoid 20-7
- Valve  
Overflow 10-8
- Washer  
Leak-off 3-4, 3-5, 5-17

## B

### Bags

- Plastic 6-1, 6-2
- Write-on  
(Self Sealing) 6-1, 6-2

### Banjo Bolts

- Double  
Various 8-4, 8-5, 8-6

- Leak-off  
Various 8-3, 8-7, 8-8
- Triple  
Various 8-5
- Various 8-1, 8-2, 8-3, 8-6, 8-7,  
8-8
- with Filter  
Various 8-2
- with Orifice  
Various 8-1, 8-7

### Banjos

- Bolt Filter  
Denso 17-1
- Dual Barb  
Various 9-3, 9-4, 9-5
- Single Barb  
Various 9-1, 9-2, 9-3, 9-4,  
9-5, 9-6, 9-7, 9-8
- Various 9-1

### Bearings

- Ball  
Stanadyne 18-5  
Various 18-1, 18-12, 18-13  
Yanmar 18-6
- Ball (all Steel Cage)  
Simms 18-15
- Ball (sealed)  
Denso 18-8
- Ball (thrust)  
Denso 18-7, 18-8  
Various 18-1
- Ball (with Circlip)  
AMBAC 18-9
- Bearing & Seal Kit  
Stanadyne 18-7
- Governor Thrust  
Denso 18-1
- Needle Roller  
Bosch 18-3  
Caterpillar 18-9  
Various 18-2, 18-8
- Roller  
Bosch 18-6  
Denso 18-7  
Simms 18-14  
Various 18-2
- Roller (in Nylon Cage)  
Simms 18-15
- Tapered Roller  
AMBAC 18-16  
Denso 18-8  
Simms 18-15  
Various 18-13, 18-14
- Thrust  
AMBAC 18-9

### Bedford

- O-ring  
Mounting 15-6, 15-8,  
15-10

### Blanking Plugs 12-1

### Bolt Filter

- Banjo  
Denso 17-1

### Bolts

- Bolt & Nut  
Volvo 16-3
- Pump Mounting  
Navistar 15-16

### Bosch

- Bearing  
Needle Roller 18-3  
Roller 18-6
- Bush 13-7, 13-8, 13-9
- Dust Seal  
O-ring 5-3
- Filter  
Screen 17-4
- Hand Primer 19-3, 19-4
- Kit  
Lift Pump 17-2  
Lift Pump (with Hand  
Primer) 17-7  
Pre-Filter (with Clamp)  
17-2  
Pre-Filter (without Clamp)  
17-2
- O-ring  
Dust Seal 5-7
- Oil Seal 14-3, 14-4,  
14-8, 14-9
- Pin 13-1, 13-2, 13-3
- Roller 13-12, 13-13  
Kit 13-18
- Valve  
Overflow 10-2, 10-6,  
10-7, 10-9, 10-10,  
10-11

### Bowls

- Aluminum  
Filter 5-2

### Breather Tube

- Gasket  
Mack 15-13

### Bryce

- Dust Seal  
O-ring 5-9

### Bukh

- Tubing  
Leak-off 7-4, 7-6



## Bushes

AMBAC 18-9  
Bosch 13-7, 13-8, 13-9  
Denso 13-8, 18-1  
Governor Shaft 18-12  
Lucas 13-9  
Pilot Tube  
Stanadyne 18-4, 18-5  
RQ & RQV governor stop shaft 18-3  
RQ & RQV governor throttle shaft 18-3, 18-6  
RQ & RQV Governor Throttle Shafts 18-10  
Simms 13-9, 18-7, 18-15  
VE Drive Shaft 18-11, 18-12  
VE Governor Covers 18-10, 18-11  
Zexel 13-7

## C

### Cap

End  
Mack 12-9

### Cap Nut Washers

Hino 4-1  
Lister 4-1  
Lucas 4-2, 4-3  
Mack 4-2  
Various 4-2  
Zexel 4-1

### Caps

Plastic 6-3, 6-4, 6-5

### Caps/Plugs

Plastic 6-6

### Case

Nozzle  
Washer 1-15

### Caterpillar

Bearing  
Needle Roller 18-9  
Hand Primer 19-3  
Kits  
Needle Roller 18-10  
Nozzle  
Washer 1-3, 1-4

### Check Valves

Fuel Return  
Various 10-13

### Clamp

Hose  
GM 12-9

### Clamps

Fuel Hose  
Mack 12-11  
Navistar 12-12

## Collars

'A' Size 11-3  
'B' Size 11-3  
'T' Size 11-7

## Combustion Rings

International 2-1

## Connectors

Tube  
Various 12-4

## Coupling

Cummins 16-1, 16-2  
Simms 16-3

## Coupling Discs

Fiber  
Denso 16-1  
Leyland 16-2  
Mercedes 16-1  
Volvo 16-2  
Washer  
Scania 16-3

## Coupling Inserts

Simms 16-3  
Spiders  
Cummins 16-1, 16-2

## Cover Seals

PLE  
AMBAC 15-2  
Mack 15-2

## Cummins

Dust Seal 5-3, 5-4, 5-6  
Mounting  
Gasket (pump) 15-1  
O-ring 15-4  
Nozzle  
Washer 1-1, 1-2, 1-3  
Oil Seal 14-7  
Solenoid 20-6, 20-7, 20-8, 20-9  
Spider  
Black 16-1  
White 16-2  
Valve  
Overflow 10-7  
Washer  
Leak-off 3-1

## D

### Daihatsu

Nozzle  
Washer 1-6

### Delivery Valve

Washer  
John Deere 1-18

### Denso

Banjo  
Bolt Filter 17-1

## Bearing

Ball (sealed) 18-8  
Ball (thrust) 18-7, 18-8  
Governor Thrust 18-1  
Roller 18-7  
Tapered Roller 18-8  
Bush 13-8, 18-1  
Coupling Disc  
Fiber 16-1  
Hand Primer 19-1, 19-2  
Kit  
Lift Pump 17-1  
Solenoid 20-2, 20-3  
Lead Wire 20-3  
O-ring  
Lift Pump Mounting 17-2  
Oil Seal 14-2, 14-6, 14-7  
Pin 13-1  
Roller 13-13  
Seal  
Spindle 17-3  
Tacho Pick Up 20-1, 20-2  
Valve  
Overflow 10-1, 10-2

## Deutz

Lift Pump  
Service Kit 17-7  
Nozzle  
Washer 1-16  
O-ring  
Dust Seal 5-8

## Dodge Canter

Nozzle  
Washer 1-11

## Dust Seals

Allis-Chalmers 5-4  
AMBAC 5-6  
Case 5-15  
Cummins 5-3, 5-4, 5-6  
Fiat 5-14, 5-15  
Ford 5-13  
Fordson 5-12  
Hino 5-1, 5-2  
Injector  
Deutz 5-18  
Isuzu 5-15, 5-16, 5-17, 5-18  
Leyland 5-9  
Navistar 5-19, 5-21  
Isuzu 5-7, 5-8, 5-15  
Iveco 5-1  
John Deere 5-17  
Mack 5-5  
Mazda 5-9, 5-13  
Mitsubishi 5-16



Nissan 5-1  
O-ring  
Allis-Chalmers 5-8  
AMBAC 5-5, 5-13  
Bosch 5-3, 5-7  
Bryce 5-9  
Deutz 5-8  
Fiat 5-14  
Fordson 5-12  
International 5-3, 5-5,  
5-6, 5-7  
John Deere 5-12  
Lister 5-9  
Lucas 5-9  
Mack 5-5, 5-13  
Neuss 5-7  
Perkins 5-9, 5-10, 5-11,  
5-12  
Scania 5-13  
Toyota 5-2, 5-7, 5-16  
Volvo 5-13  
Yanmar 5-8

#### Dust Shields

Injector  
Ford 5-18

#### Dyna

Nozzle  
Washer 1-6

## E

#### Elbows

Fuel Inlet  
Komatsu 12-10  
Fuel Line  
Various 12-1

#### End Cap

Mack 12-9

## F

#### Fiat

Dust Seal 5-14, 5-15  
O-ring  
Dust Seal 5-14  
Valve  
Overflow 10-12, 10-13

#### Filter Head Outlet

Fitting  
Navistar 12-13

#### Filters

Bowl  
Aluminum 5-2  
Head  
Plug 12-9  
Screen  
Bosch 17-4

#### Fittings

Adaptor  
Various 12-9  
Filter Head Outlet  
Navistar 12-13  
Restrictor  
Navistar 12-13

#### Ford

Dust Seal 5-12, 5-13  
Hand Primer 19-2  
Lift Pump  
Service Kit 17-6  
Mounting  
Gasket 15-3  
O-ring  
Dust Seal 5-12

#### Front Plate Cover

Gasket  
Ford 15-10

#### Fuel Hose

Clamp  
Mack 12-11  
Navistar 12-12

#### Fuel Inlet

Elbow  
Komatsu 12-10  
Nut  
Komatsu 12-10  
O-ring  
Navistar 5-21

#### Fuel Line

Sleeve  
Navistar 5-19, 5-20  
Washer  
John Deere 11-9  
Stanadyne 11-9

#### Fuel Lines

Elbow 12-1  
Kit 11-8  
Nut 11-8, 11-9  
'A' Size 11-4  
'B' Size 11-4  
'T' Size 11-4  
Sleeve  
(Solder on Type) 11-5

#### Fuel Pump

Installation Kit  
Ford 21-2  
GM 21-6, 21-7  
Mack 21-5  
Navistar 21-1

#### Fuel Return

Check Valve  
Various 10-13

#### Fuso

Nozzle  
Washer 1-17

## G

#### Gaskets

Air Cleaner  
GM 15-10, 15-12  
Breather Tube  
Mack 15-13  
Cummins  
Mounting (pump) 15-1  
Front Plate Cover  
Ford 15-10  
Intake Manifold  
GM 15-11  
Lift Pump Mounting 17-3,  
17-4  
AMBAC 17-7  
Mounting 15-7  
AMBAC 15-2  
Deutz 15-8  
Ford 15-3  
GM 15-12  
International 15-3  
John Deere 15-3  
Lucas 15-7  
Mack 15-2  
Navistar 15-13, 15-14  
Various 15-4  
Oil Fill Tube  
Mack 15-12, 15-13  
Timing Cover  
Mack 15-2  
Turbo Air Intake  
Ford 15-9  
Turbo Air Outlet  
Ford 15-9

## H

#### Hand Primer

Washer  
Navistar 4-3

#### Hand Primers

Bosch 19-3, 19-4  
Caterpillar 19-3  
Cover  
Zexel 17-7  
Denso 19-1, 19-2  
Ford 19-2  
Lucas 19-1, 19-5  
Mack 19-3  
Mazda 19-2  
Nissan 19-3  
Stanadyne 19-1



Various 19-4, 19-5  
Zexel 19-2, 19-5

**Heat Shields**  
Holden 2-4, 2-6  
Isuzu 2-5  
Landrover 2-5  
Mercedes 2-2, 2-4  
Mitsubishi 2-5  
Nissan 2-4  
Toyota 2-2, 2-3  
Volvo 2-5, 2-6  
VW 2-2  
Yanmar 2-2, 2-3

**High Pressure Tubes**  
Injection  
Various 7-2, 7-3, 7-4

**Hino**  
Dust Seal 5-1, 5-2  
Nozzle  
Washer 1-6, 1-14  
Washer  
Cap Nut 4-1

**Holden**  
Heat Shield 2-4, 2-6

**Holder**  
Inlet Seal  
Ford 5-18

**Hose Clamp**  
GM 12-9

**I**

**Injection Lines**  
High Pressure Tube  
Various 7-2, 7-3, 7-4  
Nut 11-2, 11-3  
'A' Size 11-2  
'B' Size 11-2  
Test Line  
Various 7-1, 7-2  
Test Line (Insulated)  
Various 7-5

**Injector**  
Adaptor  
Navistar 12-11, 12-12, 12-13  
Dust Seal  
Deutz 5-18  
Navistar 5-19, 5-21  
Dust Shield  
Ford 5-18  
Installation Kit  
Cummins 21-8  
Ford 21-2, 21-3  
GM 21-6  
Mack 21-4, 21-5

Navistar 21-1, 21-2, 21-3  
O-ring  
Ford 5-18

**Injectors**  
Return Cap  
Navistar 12-11

**Inlet Seal**  
Holder  
Ford 5-18

**Installation Kit**  
Injector  
Cummins 21-8  
Ford 21-2  
GM 21-6  
Mack 21-4, 21-5  
Navistar 21-1

Pump  
Ford 21-2  
GM 21-6, 21-7  
Mack 21-5  
Navistar 21-1

Pump and Injector  
Ford 21-1  
GM 21-6  
Navistar 21-1

**Intake Manifold**  
Gasket  
GM 15-11

**International**  
Combustion Ring 2-1  
Mounting  
Gasket 15-3  
Nozzle  
Washer 1-1, 1-15  
O-ring  
Dust Seal 5-3, 5-5, 5-6, 5-7

**Isuzu**  
Dust Seal 5-7, 5-8  
Injector 5-15, 5-16, 5-17, 5-18  
Heat Shields 2-5  
Mounting  
O-ring 15-1  
Nozzle  
Washer 1-12, 1-13, 1-14  
Valve  
Overflow 10-3, 10-9

**Iveco**  
Dust Seal 5-1

**J**

**Jackaroo**  
Nozzle  
Washer 1-13

**John Deere**  
Mounting  
Gasket 15-3

Nozzle  
Washer 1-14  
O-ring  
Dust Seal 5-12

**K**

**Kits**  
Fuel Line 11-8  
Lift Pump  
Bosch 17-2  
Caterpillar 17-8  
Denso 17-1  
Deutz 17-7  
Ford 17-6  
Lombardini 17-6  
Mack 17-3  
Lift Pump (with Hand Primer)  
Bosch 17-7  
Major Service 17-5  
Needle Roller  
Caterpillar 18-10  
Pre-filter (With Clamp)  
Bosch 17-2  
Pre-Filter (Without Clamp)  
Bosch 17-2  
Roller  
Bosch 13-18  
Mazda 13-17  
Various 13-17  
Zexel 13-17  
Solenoid  
Denso 20-2, 20-3  
Solenoid & Mounting  
Stanadyne 20-5

**Kubota**  
Nozzle  
Washer 1-11

**L**

**Land Cruiser**  
Nozzle  
Washer 1-4, 1-5

**Landrover**  
Heat Shield 2-5  
Nozzle  
Washer 1-15

**Lead Seals 6-12**

**Lead Wires**  
Denso 20-3  
Zexel 20-4

**Leak-Off**  
Washer  
Denso 3-3



## Leak-off

- Banjo Bolt
  - Lucas 8-7
  - Various 8-3, 8-8
- Tubing
  - Bukh 7-4, 7-6
  - Golf 7-4, 7-6
  - Mercedes 7-4, 7-6
  - Various 7-4
  - VW 7-4, 7-6
- Washer
  - Allis-Chalmers 3-4
  - AMBAC 3-4, 3-5, 5-17
  - Cummins 3-1
  - Daihatsu 3-2
  - Denso 3-2
  - Lucas 3-5
  - Nissan 3-1, 3-2
  - Simms 3-2, 3-4
  - Toyota 3-2, 3-3
  - Various 3-1, 3-3, 3-4
  - Zexel 3-2
- Washer (Single Banjo)
  - Mercedes 3-3

## Leyland

- Coupling Disc 16-2
- Dust Seal
  - Injector 5-9
- Nozzle
- Washer 1-13

## Lift Pump

- Kit
  - Bosch 17-2
  - Caterpillar 17-8
  - Denso 17-1
  - Deutz 17-7
  - Ford 17-6
  - Lombardini 17-6
  - Mack 17-3
- Kit (with Hand Primer)
  - Bosch 17-7

## Lift Pump Mounting Gaskets 17-3

- AMBAC 17-7

## Lift Pump Mounting O-rings

- Denso 17-2
- Zexel 17-1

## Lister

- Nozzle
  - Washer 1-9
- O-ring
  - Dust Seal 5-9
- Washer
  - Cap Nut 4-1

## Lombardini

- Lift Pump
  - Service Kit 17-6

## Low Pressure Fuel

- Tubing
  - Various 7-5

## Lucas

- Banjo Bolt 8-7
  - Leak-off 8-7
    - with Orifice 8-7
- Bush 13-9
- Hand Primer 19-1, 19-5
- Nozzle
  - Washer 1-9, 1-11, 1-12
- O-ring
  - Dust Seal 5-9
- Oil Seal 14-6, 14-10
- Pin 13-4, 13-5
- Roller 13-13
- Washer
  - Cap Nut 4-2, 4-3
  - Leak-off 3-5

## M

### Mack

- Adaptor
  - Timing Gasket 15-2
- Dust Seal 5-5
  - O-ring 5-13
- Gasket
  - Timing Cover 15-2
- Hand Primer 19-3
- Kit
  - Lift Pump 17-3
- Mounting
  - Gasket 15-2
- O-ring
  - Dust Seal 5-5
- Seal
  - Cover (PLE) 15-2
- Valve
  - Overflow 10-6
- Washer
  - Cap Nut 4-2

### Mazda

- Dust Seal 5-9, 5-13
- Hand Primer 19-2
- Nozzle
  - Washer 1-11
- Roller
  - Kit 13-17

### Mercedes

- Coupling Disc 16-1
- Heat Shield 2-2, 2-4
- Mounting
  - O-ring (Seal) 15-4

## Nozzle

- Washer 1-10, 1-12

## O-ring

- Oil Feed 15-6
- Tubing
  - Leak-off 7-4, 7-6

## Washer

- Leak-off (Single Banjo) 3-3

## Mitsubishi

- Dust Seal 5-16
- Heat Shield 2-5
- Nozzle
  - Washer 1-6, 1-11, 1-16, 1-17

## Mounting

- Gasket
  - Deutz 15-8
  - GM 15-12
  - Navistar 15-13, 15-14
- O-ring
  - Bedford 15-6, 15-8, 15-10
  - Cummins 15-4
  - Deutz 15-8
  - Ford 15-9, 15-10
  - Isuzu 15-1
  - John Deere 15-8
  - Navistar 15-15
  - Simms 15-5
  - Toyota 15-1, 15-7
- O-ring (Seal)
  - Mercedes 15-4

## Mounting Gaskets 15-7

- AMBAC 15-2
- Ford 15-3
- International 15-3
- John Deere 15-3
- Lucas 15-7
- Mack 15-2
- Pump
  - Cummins 15-1
- Various 15-4

## N

### Neuss

- O-ring
  - Dust Seal 5-7

### Nipples

- Nipple/Sleeve
  - (Solder on Type 'A' size) 11-5
  - (Solder on Type 'B' Size) 11-6
  - (Solder on Type 'T' Size) 11-6



## Nissan

- Dust Seal 5-1
- Hand Primer 19-3
- Heat Shield 2-4
- Nozzle
  - Washer 1-8, 1-9
- Washer
  - Leak-off 3-1, 3-2

## Non-return Valve

- Various 10-7, 10-8, 10-11

## Nozzle

- Plug
  - GM 12-9
- Washer
  - Allis-Chalmers 1-1, 1-2, 1-3
  - AMBAC 1-15, 1-22
  - Case 1-15
  - Caterpillar 1-3, 1-4
  - Cummins 1-1, 1-2, 1-3
  - Daihatsu 1-6
  - Deutz 1-16
  - Dyna 1-6
  - Ford 1-19
  - Fuso 1-17
  - Hino 1-6, 1-14
  - International 1-1, 1-15, 1-22
  - Isuzu 1-12, 1-13, 1-14, 1-20
  - Jackaroo 1-13
  - John Deere 1-14, 1-19
  - Kubota 1-11
  - Land Cruiser 1-4, 1-5
  - Landrover 1-15
  - Leyland 1-13
  - Lister 1-9
  - Lucas 1-9, 1-11, 1-12, 1-18
  - Mack 1-20
  - Massey-Ferguson 1-20
  - Mazda 1-11
  - Mercedes 1-12
  - Mercedes Benz 1-10
  - Mitsubishi 1-6, 1-11, 1-16, 1-17
  - Navistar 1-20, 1-21
  - Nissan 1-8, 1-9, 1-21
  - Perkins 1-9, 1-10, 1-21
  - Scania 1-10
  - Thermoking 1-21
  - Toyota 1-4, 1-5, 1-6
  - Various 1-10, 1-15, 1-18, 1-20, 1-22
  - Yanmar 1-7

## Nuts

- Bolt & Nut
  - Volvo 16-3
- Fuel Inlet
  - Komatsu 12-10
- Fuel Line 11-8, 11-9
  - 'A' Size 11-4
  - 'B' Size 11-4
  - 'T' Size 11-4
- Injector Line 11-2, 11-3
  - 'A' Size 11-2
  - 'B' Size 11-2
- Olive/Sleeve/Nut
  - 'A' Size 11-4
  - 'B' Size 11-5

## O

### O-rings

- Dust Seal
  - Allis-Chalmers 5-8
  - AMBAC 5-5
  - Ambac 5-5, 5-13
  - Bosch 5-3, 5-7
  - Bryce 5-9
  - Deutz 5-8
  - Fiat 5-14
  - Fordson 5-12
  - International 5-3, 5-5, 5-6, 5-7
  - John Deere 5-12
  - Lister 5-9
  - Lucas 5-9
  - Mack 5-5, 5-13
  - Neuss 5-7
- Fuel Inlet
  - Navistar 5-21
- Injector
  - Ford 5-18
- Injectors
  - Case 5-14
- Lift Pump Mounting
  - Denso 17-2
  - Zexel 17-1
- Mounting
  - Bedford 15-6, 15-8, 15-10
  - Cummins 15-4
  - Deutz 15-8
  - Ford 15-9, 15-10
  - Isuzu 15-1
  - John Deere 15-8
  - Navistar 15-15
  - Simms 15-5
  - Toyota 15-1, 15-7
- Oil Feed
  - Mercedes 15-6
- Pump Adapter
  - Mack 15-15

### Return Line

- John Deere 5-17
- Navistar 5-21
- Timing Cover
  - O-Ring 15-15
- Transfer Pump
  - John Deere 5-17

### O-rings (Seal)

- Mounting
  - Mercedes 15-4

### Oil Fill Tube

- Gasket
  - Mack 15-12, 15-13

### Oil Manifold

- Seal Kit
  - Cummins 21-8

### Oil Seals

- Bosch 14-3, 14-4, 14-8, 14-9
- Cummins 14-7
- Denso 14-2, 14-6, 14-7
- Lucas 14-6, 14-10
- Simms 14-9, 14-11
- Various 14-5, 14-10, 14-11, 14-12
- Zexel 14-1, 14-2, 14-3, 14-4, 14-5

### Olives

- 'A' Size 11-7
- 'B' Size 11-8
- Olive/Sleeve/Nut
  - 'A' Size 11-4
  - 'B' Size 11-5

### Overflow Valves

- AMBAC 10-8
- Bosch 10-2, 10-6, 10-7, 10-9, 10-10, 10-11
- Cummins 10-7
- Denso 10-1, 10-2
- Fiat 10-12, 10-13
- Isuzu 10-3, 10-9
- Mack 10-6
- Various 10-11, 10-12
- Zexel 10-3, 10-4, 10-5, 10-6

## P

### Paints

- Sealing 6-12, 6-13

### Part Numbers

- D0 330 001 003 20-1
- D0 330 001 004 20-1
- D0 330 001 015 20-8
- D0 330 001 016 20-8
- D0 330 106 006 20-1
- D0 440 011 007 19-4





D00767111 5-1  
D01351-21104 3-1  
D016500-5010 15-1  
D026712-5010 14-1  
D028102-0010 18-1  
D028102-5010 18-1  
D029620-4000 17-1  
D029621-7010 14-1  
D029621-7020 14-1  
D029621-7050 14-1  
D029622-0140 14-2  
D029622-0190 14-2  
D029622-0240 14-2  
D029633-1010 17-1  
D029730-8190 8-1  
D029911-2020 6-3  
D029911-4030 6-3  
D036-13-65199 2-6  
D0490685 15-3  
D07000-65065 5-19  
D076300-1690 20-1  
D076300-1950 20-2  
D090176-0050 13-1  
D090178-0010 13-8  
D090181-0010 13-13  
D090310-0011 10-1  
D090310-0110 10-1  
D090310-0220 10-1  
D090656-0010 18-1  
D090892-0181 18-1  
D092130-0050 19-1  
D092130-0220 19-2  
D092220-0040 17-1  
D092436-0020 16-1  
D09282 13-17  
D093245-0040 3-2  
D093245-0140 3-3  
D096010-0500 20-2  
D096010-0510 20-2  
D096020-0030 10-1  
D096020-0180 10-2  
D096030-0160 20-2  
D096030-0520 20-3  
D096039-0040 14-2  
D096045-0060 20-3  
D1 410 051 002 17-3  
D1 410 103 023 11-3  
D1 410 103 025 11-3  
D1 410 136 005 16-1  
D1 410 202 005 13-12  
D1 410 202 006 13-13  
D1 410 281 012 14-8  
D1 410 282 003 14-8  
D1 410 282 015 14-8  
D1 410 283 000 14-8

D1 410 283 006 14-12  
D1 410 300 042 13-8  
D1 410 300 052 13-8  
D1 410 300 053 13-8  
D1 410 300 080 13-7  
D1 410 300 150 13-12  
D1 410 300 242 13-7  
D1 410 300 243 13-12  
D1 410 300 244 13-7  
D1 410 300 248 13-12  
D1 410 900 014 18-2  
D1 410 900 015 18-2  
D1 410 910 004 18-2  
D1 410 910 005 18-2  
D1 411 073 004 17-4  
D1 411 073 006 17-4  
D1 413 100 001 13-2  
D1 413 100 021 13-1  
D1 413 100 030 13-3  
D1 413 100 031 13-2  
D1 413 105 015 13-2  
D1 413 120 001 13-2  
D1 417 413 000 10-9  
D1 417 413 025 10-9  
D1 417 413 046 10-9  
D1 417 413 047 10-2  
D1 417 413 048 10-10  
D1 417 413 049 10-10  
D1 420 301 002 18-10  
D1 420 301 006 18-3  
D1 420 328 004 18-3  
D1 420 328 005 18-3  
D1 420 920 004 18-3  
D1 420 920 008 18-4  
D1 450 410 011 17-4  
D1 457 413 010 10-10  
D1 457 413 013 10-10  
D1 457 434 000 17-4  
D1 460 051 002 15-4  
D1 460 283 301 14-9  
D1 460 283 302 14-9  
D1 460 283 310 14-3  
D1 460 283 311 14-4  
D1 460 324 315 18-10  
D1 460 324 316 18-10  
D1 460 324 332 18-11  
D1 460 324 333 18-11  
D1 460 324 337 18-11  
D1 460 400 004 18-11  
D1 460 400 014 18-12  
D1 463 456 303 10-2  
D1 463 456 344 10-2  
D1 467 413 004 10-13  
D1 680 750 008 7-1  
D1 680 750 014 7-1

D1 680 750 015 7-1  
D1 680 750 017 7-1  
D1 680 750 073 7-2  
D1 680 750 075 7-2  
D1 680 750 085 7-2  
D1 900 301 012 18-12  
D1 900 900 018 18-13  
D1 900 900 302 18-12  
D1 900 900 305 18-12  
D1 900 910 201 18-13  
D1 900 910 202 18-13  
D1 900 910 203 18-13  
D1 900 910 204 18-14  
D1 900 910 240 18-14  
D1 900 910 241 18-14  
D1-09639019-0 5-8  
D1-13260047-0 10-9  
D1-1531S013 1-20  
D10093148 12-9  
D10137537 15-10  
D101918 16-1  
D103854-11490 2-2  
D11176-17010 1-4  
D11176-17020 1-4  
D11176-36010 1-5  
D11176-56010 1-5  
D11176-56020 1-5  
D11176-56030 1-5  
D11176-64010 1-6  
D11176-87301 1-6  
D11177-47010 2-2  
D11177-54011 2-2  
D11177-54020 2-3  
D11177-56010 2-3  
D11177-64010 2-3  
D11177-77014 1-6  
D11177-78010 1-6  
D114250-11460 1-7  
D114350-11470 1-7  
D1162625 15-8  
D1170540 5-8, 5-18  
D119600-11460 1-7  
D119625-11870 2-3  
D129137-11880 1-7  
D129470-11920 5-8  
D1304-13-654 2-5  
D131203-0500 13-1  
D131203-0800 13-1  
D131204-0920 13-11  
D131204-1100 13-11  
D131205-0600 13-7  
D131424-1520 10-3  
D131424-3420 10-3  
D131424-4620 10-12  
D131424-4920 10-3



D131424-5120 10-3  
D131424-5520 10-4  
D131424-6220 10-4  
D131424-7120 10-4  
D132204-0400 13-11  
D132424-0620 10-4  
D133203-0400 13-4  
D133204-0600 13-14  
D134075 20-6  
D134076 20-6  
D134203-0100 13-4  
D134204-0200 13-11  
D1342756C1 15-14  
D134424-0920 10-5  
D134424-1320 10-5  
D134630H1 5-20  
D139620-0000 14-3  
D139625-0000 14-3  
D139634-0200 14-3  
D139808-0000 8-1  
D14022651 15-12  
D14025557 1-1  
D14033942 15-12  
D14066301 12-9  
D141050-1072 2-2  
D144526H1 5-20  
D1456-13-671 3-2  
D146120-0020 10-5  
D146120-0120 10-5  
D146120-0220 10-6  
D146120-1520 10-6  
D146210-5720 13-17  
D146210-5820 13-17  
D146601-0300 14-11  
D146601-0400 14-4  
D146601-0600 14-4  
D146601-0700 14-4  
D146601-0900 14-5  
D146601-1100 14-5  
D146650-0820 20-3  
D146650-1220 20-3  
D146650-2420 20-4  
D146650-2520 20-4  
D146658-4020 20-4  
D146658-8920 20-4  
D1476211X1 1-20  
D152200-1220 19-2  
D152200-5320 19-2  
D152200-5420 19-2  
D152200-5620 19-3  
D152300-3620 8-1  
D15398 18-4  
D162426 16-1  
D16320 18-4  
D16323 18-4  
D16602-V1701 1-8

D16625-05E00 1-21  
D16625-43G00 1-8  
D16626-09W00 2-4  
D16626-43G00 2-4  
D16627-43G00 3-2  
D16635-16A00 3-5  
D16635-96000 1-8  
D16635-96001 1-8  
D16635-J2000 1-9  
D16635-J5570 3-2  
D16699-96000 5-1  
D172100-53200 4-1  
D1802452C1 12-11  
D1802453C1 12-12  
D1804332C1 12-12  
D1805670C1 12-13  
D1807947C1 12-12  
D1811226C1 12-12  
D1811230C2 12-11  
D1811231C2 12-11  
D18953 18-5  
D18976 19-1  
D192290-0060 17-1  
D19836 18-5  
D2 410 202 006 13-13  
D2 410 202 024 13-14  
D2 410 202 028 13-15  
D2 410 283 010 14-5  
D2 410 283 021 14-5  
D2 410 300 004 13-9  
D2 410 910 005 18-6  
D2 410 914 002 18-6  
D2 413 100 000 13-3  
D2 413 359 008 10-6  
D2 417 413 013 10-11  
D2 417 413 035 10-6  
D2 417 413 037 10-7  
D2 417 413 046 10-12  
D2 417 413 093 10-7  
D2 420 301 004 18-6  
D2 433 456 020 8-2  
D2 434 456 018 8-2  
D2 440 109 005 17-5  
D2 443 203 001 17-5  
D2 447 010 004 17-5  
D2 447 010 017 17-2  
D2 447 010 024 17-2  
D2 447 010 027 17-2  
D2 447 010 033 19-3  
D2 447 222 000 19-4  
D2 447 222 020 19-4  
D2 447 419 002 17-5  
D2 911 201 701 8-2  
D2 911 201 702 8-2  
D2 911 201 703 8-3  
D2 911 201 704 8-3

D2 911 202 705 8-3  
D2 911 235 700 8-3  
D2 916 673 003 11-1  
D20082 13-3  
D20084 18-14  
D201-11080 5-9  
D201-11720 1-9  
D20274 18-5  
D212613 16-2  
D2136717 15-8  
D22159 14-9  
D22186 3-2  
D231931 5-9  
D233039 5-9  
D23382 18-5  
D23457 19-1  
D23643-1010 4-1  
D23654-46010 3-2  
D23654-64010 3-3  
D23667-1031 5-1  
D23667-1070 5-2  
D24101-063064 18-6  
D2411126 1-21  
D2411127 1-9  
D24545 11-3  
D24899 11-3  
D250602R4 2-1  
D250608R1 5-2  
D250609R1 5-2  
D251042R2 2-1  
D251044R2 5-3  
D26214 20-5  
D26387 20-5  
D26431 20-5  
D265204R1 5-19  
D26921 20-5  
D279274R1 1-1  
D28549R1 15-16  
D29004A 1-9  
D29332-203 4-1  
D3003156 6-11  
D3009625 14-7  
D3046200 16-2  
D3054610 20-6  
D3054611 20-7  
D3062676 14-7  
D3069103 15-1  
D3075523 14-7  
D30806 18-7  
D33115128 1-10  
D33813125 5-9  
D33813126 5-10  
D33813127 5-10  
D33813129 5-10  
D33813131 5-11  
D33817114 5-11, 5-21





D33817408 5-11  
D33817504 5-12  
D355966R1 5-21  
D364879R1 5-3  
D369384R1 5-21  
D37148DA 1-1  
D382781R1 15-15  
D3900808 1-1  
D3903380 3-1  
D3909356 5-3  
D3909886 5-4  
D3920174 1-2  
D3923261 1-2  
D3930993 15-4  
D4 030 740 059 15-4  
D40200 6-3  
D40201 6-3  
D40202 6-3  
D40203 6-4  
D40204 6-4  
D40205 6-4  
D40206 6-4  
D40207 6-4  
D40208 6-5  
D40209 6-5  
D40210 6-5  
D40211 6-5  
D40212 6-5  
D40213 6-6  
D40214 6-6  
D40215 6-6  
D40216 6-6  
D40217 6-6  
D40218 6-7  
D40219 6-7  
D40220 6-7  
D40221 6-7  
D40222 6-7  
D40223 6-8  
D40224 6-8  
D40225 6-8  
D40226 6-8  
D40227 6-8  
D40228 6-9  
D40229 6-9  
D40230 6-9  
D40231 6-9  
D40232 6-9  
D40233 6-11  
D40234 6-12  
D40235 6-12  
D40236 6-12  
D40237 6-12  
D40238 6-13  
D40239 6-13  
D40240 6-13

D4024010 5-4  
D4025150 1-2  
D4025385 5-4  
D41027 1-10  
D41028 1-10  
D41031 1-10  
D41035 1-11  
D41037 1-11  
D41045 1-11  
D41053 1-11  
D41055 1-12  
D41501 5-12  
D41505 5-12  
D41512 5-12  
D41530 5-13  
D41531 5-13  
D41532 5-13  
D41533 5-22  
D41702 3-5  
D41709 3-3  
D41720 3-3  
D41721 3-3  
D41900 6-1  
D41902 6-1  
D41904 6-1  
D41906 6-1  
D41907 6-1  
D41908 6-2  
D41909 6-2  
D41910 6-2  
D42000 7-2  
D42001 7-3  
D42002 7-3  
D42003 7-3  
D42010 7-3  
D42011 7-4  
D42014 7-4  
D42015 7-4  
D42016 7-4  
D42017 7-5  
D42020 7-6  
D42022 7-5  
D42023 7-5  
D42024 7-5  
D42100 10-11  
D42101 10-11  
D42102 10-11  
D42103 10-12  
D42112 8-4  
D42113 8-4  
D42115 8-4  
D42116 8-4  
D42117 8-5  
D42118 8-5  
D42119 8-5  
D42120 8-5

D42126 8-6  
D42127 8-6  
D42129 8-6  
D42131 8-6  
D42600 12-1  
D42601 12-1  
D42603 12-1  
D42605 12-2  
D42606 12-2  
D42607 12-2  
D42608 12-2  
D42609 12-3  
D42610 12-3  
D42611 12-3  
D42612 12-3  
D42613 12-4  
D42614 12-4  
D42615 12-4  
D42616 12-4  
D42618 12-5  
D42619 12-5  
D42620 12-5  
D42621 12-5  
D42622 12-6  
D42624 12-6  
D42625 12-6  
D42626 12-6  
D42631 11-4  
D42632 11-4  
D42633 11-4  
D42634 11-4  
D42635 11-5  
D42646 11-5  
D42647 11-5  
D42648 11-5  
D42649 11-6  
D42650 11-6  
D42651 11-6  
D42652 11-6  
D42657 11-7  
D42661 11-7  
D42667 11-7  
D42668 11-7  
D42669 11-8  
D42676 12-7  
D42677 12-7  
D42678 12-7  
D42679 12-7  
D42680 12-8  
D42681 12-8  
D42682 12-8  
D42684 12-14  
D42685 12-14  
D42803 15-5  
D42814 15-5  
D42815 15-5



D42816 15-6  
D42817 15-6  
D43002DA 2-1  
D4322189 3-4  
D43224 16-2  
D43225 16-2  
D43226 16-3  
D43227 16-3  
D43287 13-18  
D43288 13-18  
D43289 13-18  
D43290 13-18  
D43309 17-6  
D43310 17-6  
D43325 17-6  
D43327 17-6  
D43333 17-7  
D43338 17-7  
D43339 17-7  
D43362 19-4  
D4378031 1-2  
D446GC1195 5-13  
D446GC1208 5-5  
D446GC175 15-2  
D446GC289 15-15  
D4501149 11-1  
D4504409 11-1  
D4511204 1-3  
D469455 5-14  
D4717654 5-14  
D489120C1 5-19  
D489239C2 15-14  
D489244C1 15-14  
D489256C1 1-20  
D49AX252 12-9  
D4W0788 19-3  
D5-15315003-0 1-12  
D5-15315007-0 1-12  
D500120 18-15  
D501849 18-15  
D502220 3-4  
D502261 14-9  
D503742 18-15  
D503743 18-15  
D506378 18-7  
D506652 13-9  
D506653 13-3  
D52200-1120 19-5  
D5339-401 1-12  
D5339-543A 3-4  
D5393-252R 14-10  
D5393-252U 14-10  
D5501006 19-5  
D562GB14A 15-2  
D56AX460 5-5  
D56AX548 15-15

D56AX574 15-12  
D5855-30EP 15-6  
D590GB1127 1-20  
D590GB1143 5-5  
D590GB1338 1-3  
D590GB1362 15-13  
D590GB190D 15-2  
D590GB2111A 15-13  
D590GB236A 15-2  
D5936-95F 4-1  
D601076C1 1-21  
D60208 3-2  
D61 70170 260 2-4  
D61209DA 5-5  
D6223003 19-1  
D670207C1 11-9  
D675477C1 4-3  
D675609C2 15-13  
D675816C1 15-3  
D681298C1 4-3  
D682810C1 5-6  
D687426C1 12-13  
D6C019C7TZA 15-10  
D6N9987 20-7  
D6N9988 20-7  
D7008-188 8-7  
D7008-188C 8-7  
D7008-850 1-13  
D7023-99W 12-8  
D702658R1 5-6  
D7033-147 13-4  
D7033-295 14-10  
D7033-309 14-10  
D70854 5-6  
D7097-28B 13-13  
D7097-302 13-4  
D7097-4 13-9  
D7111-135 8-1  
D7111-135A 8-7  
D7111-308 8-7  
D7111-312 12-9  
D7111-768 10-7  
D7111-769 10-7  
D7111-775 10-8  
D7111-776 10-8  
D7111-988 10-8  
D7123-339D 8-8  
D7133-114 14-11  
D7133-30 11-8  
D7133-34 11-8  
D7133-84 14-11  
D7135-47F 11-8  
D7167-496 15-7  
D7167-620A 20-8  
D7167-620D 20-8  
D7169-43 8-8

D7169-519 1-18  
D717203R1 5-7  
D7174-127A 14-6  
D7176-66 12-9  
D7180-49A 20-9  
D7180-49D 20-9  
D731-176M1 15-7  
D755671 5-14  
D758065 10-12  
D765647 5-15  
D767111 5-15  
D772044 8-8  
D7M7219 18-9  
D7W4482 1-3  
D7W4483 1-3  
D7W4485 1-4  
D7W4486 1-4  
D8-94125859-1 1-13  
D8-94148392-2 1-13  
D8-94326439-0 5-15  
D8-94377623-0 1-14  
D8-94420247-0 2-4  
D801771 1-13  
D82012 13-9  
D826F9K540DDA 5-18  
D83AX906 12-11  
D83AX985 12-11  
D86536 14-11  
D87071S94 15-9  
D87209 16-3  
D9-15315027-0 2-5  
D9-15339044-0 5-16  
D9-15339051-0 5-7  
D9001-088 19-5  
D9009-049 20-9  
D90301-49003 15-1  
D90301-99013 15-7  
D9041-144H 19-5  
D9042-603 2-5  
D90430-17003 5-7  
D90564-21001 5-16  
D9080-127 20-6  
D915500R1 5-20  
D930506 5-8  
D949100-0010 18-7  
D949100-0801 18-7  
D949100-0810 18-8  
D949100-2860 18-8  
D949100-2970 18-8  
D949101-0140 18-8  
D949140-0380 17-2  
D949150-0030 14-6  
D949150-0050 14-6  
D949150-0970 17-3  
D949150-1620 14-6  
D949150-1750 14-7



D949150-2700 17-3  
D949150-2820 14-12  
D949180-0630 8-8  
D9659-08108 1-14  
D96711-24019 5-21  
DBB403798 18-9  
DBB410315 18-9  
DBG400704 18-9  
DC5NE9E529A 1-19  
DC5NE9F585A 15-3  
DC5NE9F596A 5-18  
DC5NE9F598A 15-10  
DCR103 16-3  
DE3ZZ9D634A 15-9  
DE3ZZ9F703A 15-9  
DE8HZ9F596A 5-18  
DERR4621 1-15  
DF3422R 1-18  
DFI 8527A 10-8  
DGA400554 17-7  
DGA404115 4-2  
DGA404119 3-4  
DGA770009 1-15  
DGA770019 1-22  
DGA770056 1-15  
DGA7724-2 1-15  
DGA781079 4-2  
DJ913994 5-15  
DJ916284 5-14  
DKT7948 17-3  
DKT85208 20-7  
DM0221 1-16  
DMC756936 1-16  
DMD070717 1-16  
DMD070718 2-5  
DME001017 1-16  
DME016539 1-17  
DME016564 1-17  
DME036562 5-16  
DME040206 1-17  
DMH035105 1-17  
DMP404760 19-3  
DNW5-17W4 3-5  
DNW5-43W4 1-18  
DNW5-56 4-2  
DNW5-59 4-2  
DNW5-60 1-21, 4-3  
DP506651 13-15  
DPE10050 6-11  
DPE10500 12-10  
DPE10501 12-10  
DPE10502 12-10  
DPE10514 10-13  
DPE10518 10-13  
DPE14002 21-4  
DPE14002E 21-4

DPE14004 21-4  
DPE1400G 21-4  
DPE14100 21-8  
DPE17219 18-10  
DPE22240 17-8  
DPE22245 17-8  
DPE44442 11-1  
DPE44443 11-2  
DPE44444 11-2  
DPE44445 11-2  
DPE44446 11-2  
DPE46110 21-5  
DPE46120 21-5  
DPE46600 21-1  
DPE46610 21-1  
DPE46620 21-1  
DPE48110 21-5  
DPE59000 21-8  
DPE603 3-1  
DPE605 3-1  
DPE62100 21-6  
DPE62110 21-6  
DPE62120 21-6  
DPE65100 21-6  
DPE65110 21-7  
DPE69100 21-1  
DPE69110 21-2  
DPE69120 21-2  
DPE69130 21-2  
DPE69151 12-13  
DPE73100 21-2  
DPE73120 21-3  
DPE73130 21-3  
DPE91586 15-11  
DPN400517 13-5  
DPN402683 13-5  
DPN7648 13-5  
DR1109R 1-19  
DR26286 5-17  
DR26448 5-17  
DR460R 15-8  
DR463R 1-19  
DR48511 11-9  
DR50390 15-3  
DR51603 5-17  
DR59294 3-5  
DR64840 1-14  
DR77551 5-17  
DR84472 1-14  
DR928R 1-18  
DRB1004 18-16  
DRB400059 18-16  
DRL409853 13-14  
DRL7613A 13-14  
DT11292 1-19

## Perkins

Dust Seal 5-9, 5-10,  
5-11, 5-12

Nozzle

Washer 1-9, 1-10

## Pins

Bosch 13-1, 13-2, 13-3

Denso 13-1

Lucas 13-4, 13-5

Simms 13-3

Zexel 13-1

## Pipe Clamps

2 Pipe Clamp 12-7

3 Pipe Clamp 12-8

4 Pipe Clamp 12-8

6 Pipe Clamp 12-8

## Pipes

Bend

Various 9-5, 9-7, 9-8,  
12-1, 12-2

## Plastic

Bag 6-1, 6-2

Cap 6-3, 6-4, 6-5

Plug 6-5, 6-6, 6-7, 6-8, 6-9  
(Threaded) 6-8

Plug/Cap 6-6

Sleeve 6-3

## Pliers

Sealing 6-13

## Plugs

Blanking 12-1

Filter Head

Various 12-9

Nozzle

GM 12-9

Plastic 6-5, 6-6, 6-7, 6-8,  
6-9

(Threaded) 6-8

Screw

Various 12-6

Various 12-4, 12-8

## Plugs/Caps

Plastic 6-6

## Pre-Filters

Assembly

Various 17-4

Kit (with Clamp)

Bosch 17-2

Kit (without Clamp)

Bosch 17-2

Seal 17-5

## Pump Adapter

O-ring

Mack 15-15



## Pump and Injector

- Installation Kit
  - Ford 21-1, 21-2
  - GM 21-6
  - Navistar 21-1, 21-2

## Pump Mount

- Bolt
  - Navistar 15-16

## R

### Restrictor

- Fitting
  - Navistar 12-13

### Return Cap

- Injector
  - Navistar 12-11

### Return Line

- O-ring
  - Navistar 5-21
- Washer
  - John Deere 3-5

### Rollers

- AMBAC 13-12, 13-14, 13-15
- Bosch 13-12, 13-13
- Denso 13-13
- Kit
  - Bosch 13-18
  - Mazda 13-17
  - Various 13-17
  - Zexel 13-17
- Lucas 13-13
- Zexel 13-11

## S

### Scania

- Dust Seal 5-13
- Nozzle
  - Washer 1-10
- Washer
  - Coupling Disc 16-3

### Screens

- Filter
  - Bosch 17-4

### Screws

- Plug
  - Various 12-6

### Seal Kit

- Oil Manifold
  - Cummins 21-8

### Sealing

- Paint 6-12, 6-13
- Plier 6-13
- Wire 6-11

## Seals

- Cover (PLE)
  - AMBAC 15-2
  - Mack 15-2
- Lead 6-12
- Pre-filter 17-5
- Spindle
  - Denso 17-3
  - Zexel 17-1

## Shim

- John Deere 1-19

## Simms

- Bearing
  - Ball (all Steel Cage) 18-15
  - Roller 18-14
  - Roller (in Nylon Cage) 18-15
  - Tapered Roller 18-15
- Bush 13-9, 18-7
- Bushes 18-15
- Coupling 16-3
- Coupling Insert 16-3
- Mounting
  - O-ring 15-5
- Oil Seal 14-9, 14-11
- Pin 13-3
- Washer
  - Leak-off 3-2, 3-4

## Sleeves

- Crimp 12-5, 12-6
- Ermeto 11-1
- Fuel Line
  - (Solder on Type) 11-5
  - Navistar 5-19, 5-20
- Nipple/Sleeve
  - (Solder on Type 'A' size) 11-5
  - (Solder on Type 'T' Size) 11-6
  - (Solder on Type 'B' Size) 11-6
- Olive/Sleeve/Nut
  - 'A' Size 11-4
  - 'B' Size 11-5
- Plastic 6-3
- Support 11-7
  - 'A' Size 11-6
  - 'A' size 11-1
  - 'B' Size 11-2, 11-6

## Solenoid & Mounting Kits

- Stanadyne 20-5

## Solenoids

- (with Leads) 20-6
- AMBAC 20-7
- Cummins 20-6, 20-7, 20-8, 20-9
- Kit
  - Denso 20-2, 20-3
  - Stanadyne 20-5
  - Various 20-1, 20-8
  - Volvo 20-1

- Zexel 20-3, 20-4

## Stanadyne

- Bearing
  - Ball 18-5
  - Bearing & Seal Kit 18-7
- Bush
  - Pilot Tube 18-4, 18-5
- Hand Primer 19-1
- Kit
  - Solenoid & Mounting 20-5
  - Solenoid 20-5

## T

### Tacho Pick Up

- Denso 20-1, 20-2

### Test Lines

- Injection
  - Various 7-1, 7-2
- Injection (Insulated)
  - Various 7-5

### Thermostarts

- Adaptor
  - Various 12-1

### Timing Cover

- O-ring
  - Mack 15-15

### Timing Cover Gaskets

- Mack 15-2

### Toyota

- Dust Seal 5-2, 5-7, 5-16
- Heat Shield 2-2, 2-3
- Mounting
  - O-ring 15-1, 15-7
- Nozzle
  - Washer 1-4, 1-5, 1-6
- Washer
  - Leak-off 3-2, 3-3

### Transfer Pump

- O-ring
  - John Deere 5-17

### Tubes

- Connector
  - Various 12-4

### Tubing

- Leak-off
  - Bukh 7-4, 7-6
  - Mercedes 7-4, 7-6
  - Various 7-4
  - VW 7-4, 7-6
- Low Pressure Fuel
  - Various 7-5

### Turbo Air Intake

- Gasket
  - Ford 15-9



## Turbo Air Outlet

Gasket  
Ford 15-9

## V

### Valves

Non-return  
Various 10-7, 10-8, 10-11  
Overflow  
AMBAC 10-8  
Bosch 10-2, 10-6,  
10-7, 10-9, 10-10,  
10-11  
Cummins 10-7  
Denso 10-1, 10-2  
Fiat 10-12, 10-13  
Isuzu 10-3, 10-9  
Mack 10-6  
Various 10-11, 10-12  
Zexel 10-3, 10-4,  
10-5, 10-6

### Volvo

Bolt  
Bolt & Nut 16-3  
Coupling Disc 16-2  
Dust Seal 5-13  
Nut  
Bolt & Nut 16-3  
Solenoid 20-1

### VW

Heat Shield 2-2  
Tubing  
Leak-off 7-4, 7-6

## W

### Washers

Allis-Chalmers  
Nozzle 1-1  
Cap Nut  
Hino 4-1  
Lister 4-1  
Lucas 4-2, 4-3  
Mack 4-2  
Various 4-2  
Zexel 4-1  
Coupling Disc  
Scania 16-3  
Delivery Valve  
John Deere 1-18  
Fuel Line  
John Deere 11-9  
Stanadyne 11-9  
Hand Primer  
Navistar 4-3

### Leak-off

Allis-Chalmers 3-4  
AMBAC 3-4, 3-5, 5-17  
Cummins 3-1  
Daihatsu 3-2  
Denso 3-2, 3-3  
Lucas 3-5  
Nissan 3-1, 3-2  
Simms 3-2, 3-4  
Toyota 3-2, 3-3  
Various 3-1, 3-3, 3-4  
Zexel 3-2  
Leak-off (Single Banjo)  
Mercedes 3-3  
Navistar 4-3  
Nozzle  
Allis Chalmers 1-2, 1-3  
Allis-Chalmers 1-2  
AMBAC 1-15, 1-22  
Case 1-15  
Caterpillar 1-3, 1-4  
Cummins 1-1, 1-2  
Daihatsu 1-6  
Deutz 1-16  
Dodge Canter 1-11  
Dyna 1-6  
Ford 1-19  
Fuso 1-17  
Hino 1-6, 1-14  
International 1-1, 1-15, 1-22  
Isuzu 1-12, 1-13, 1-14, 1-20  
Jackaroo 1-13  
John Deere 1-14, 1-19  
Kubota 1-11  
Land Cruiser 1-4, 1-5  
Landrover 1-15  
Leyland 1-13  
Lister 1-9  
Lucas 1-9, 1-11, 1-12, 1-18  
Mack 1-20  
Massey-Ferguson 1-20  
Mazda 1-11  
Mercedes 1-12  
Mercedes Benz 1-10  
Mitsubishi 1-6, 1-11, 1-16, 1-17  
Navistar 1-20, 1-21  
Nissan 1-8, 1-9, 1-21  
Perkins 1-9, 1-10, 1-21  
Scania 1-10  
Thermoking 1-21  
Toyota 1-4, 1-5, 1-6  
Various 1-10, 1-15, 1-18,  
1-20, 1-22  
Yanmar 1-7  
Return Line  
John Deere 3-5

### Wires

Sealing 6-11  
Write-on Bags  
(Self Sealing) 6-1, 6-2

## Y

### Yanmar

Bearing  
Ball 18-6  
Dust Seal 5-8  
Heat Shield 2-2, 2-3  
Nozzle  
Washer 1-7

## Z

### Zexel

Bush 13-7  
Cover  
Hand Primer 17-7  
Hand Primer 19-2, 19-5  
Lead Wire 20-4  
O-ring  
Lift Pump Mounting 17-1  
Oil Seal 14-1, 14-2,  
14-3, 14-4, 14-5  
Pin 13-1  
Roller 13-11  
Roller Kit 13-17  
Seal  
Spindle 17-1  
Solenoid 20-3, 20-4  
Valve  
Overflow 10-3, 10-4,  
10-5, 10-6  
Washer  
Cap Nut 4-1