

192400

Illustrated Parts List

Model Series

192400

TYPE NUMBERS
0001 through 6167.

For Use On Engines Built Before Date Code – 02051800

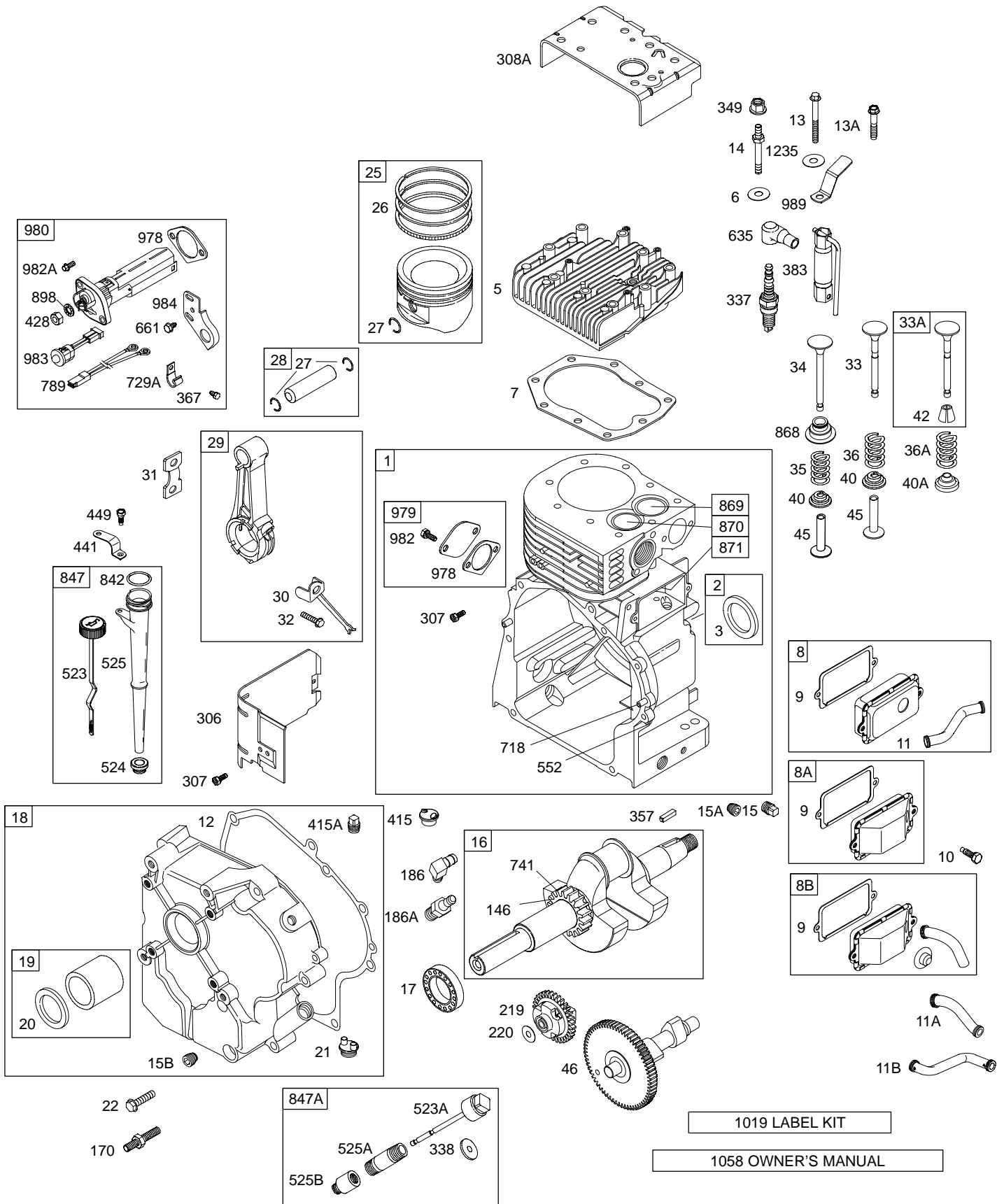
TABLE OF CONTENTS

Air Cleaner Group	4
Alternator	8
Blower Housing/Shrouds	5
Cam	2
Carburetor	3
Controls	7
Crankcase Cover/Sump	2
Crankshaft	2
Cylinder Group	2
Electric Starter	6
Flywheel Group	6
Fuel Tank Group	7
Gear Reducer	8
Governor Spring	7
Head	2
Ignition	6
Kits/Gaskets–Carburetor	3
Kits/Gaskets–Valve	8
Muffler	4
Oil	2
Piston Group	2
Rewind	5
Valves	2

PRINTED IN U.S.A.

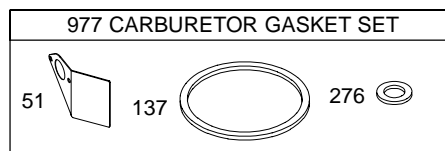
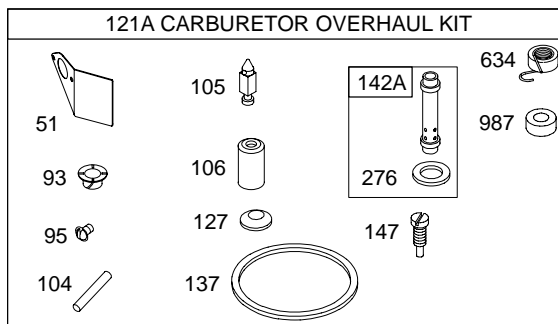
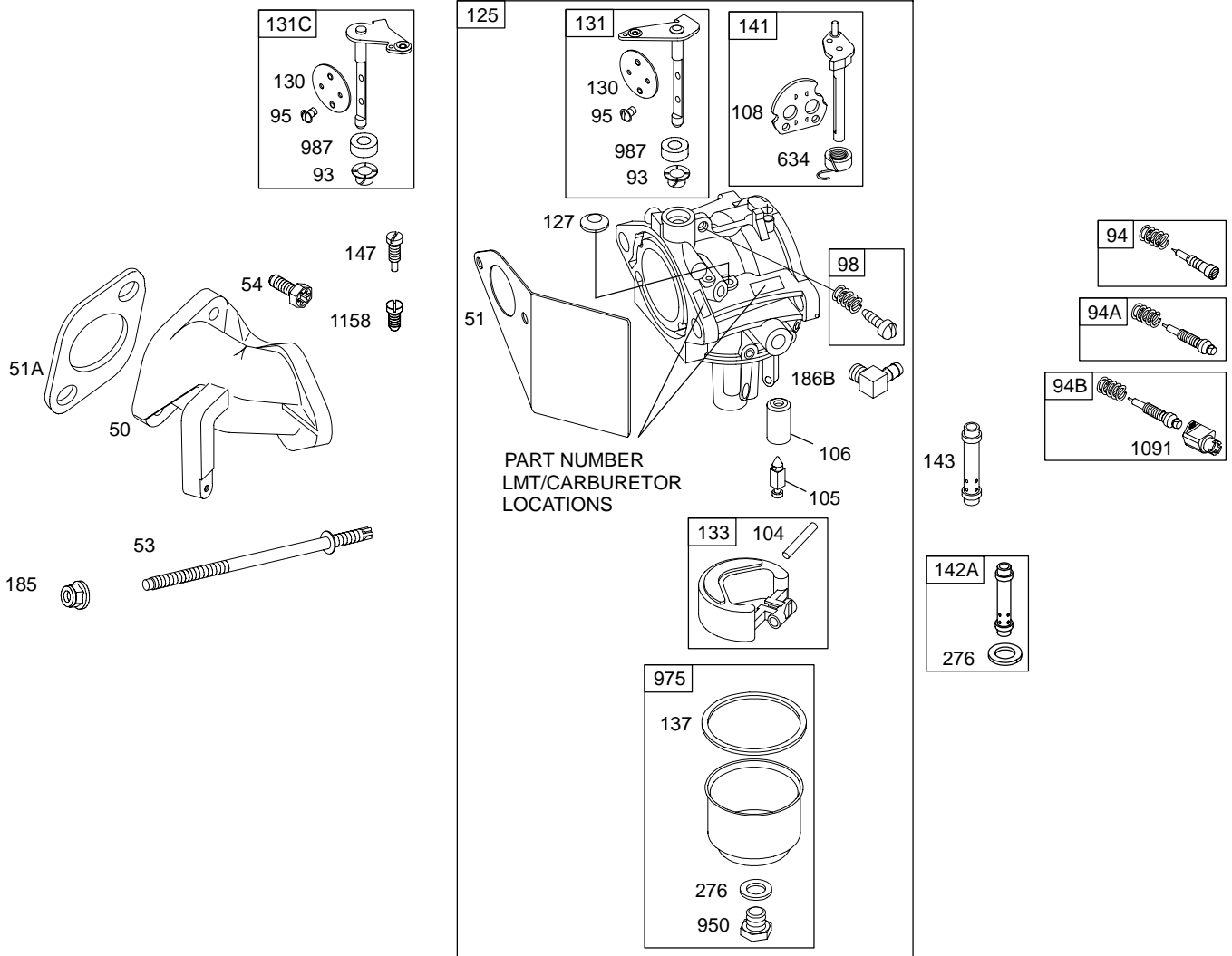


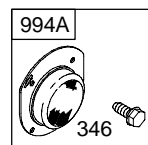
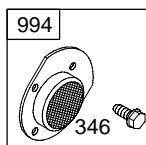
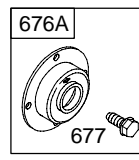
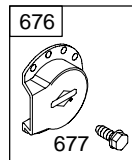
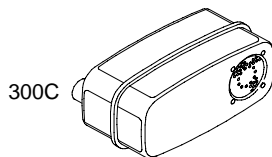
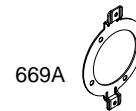
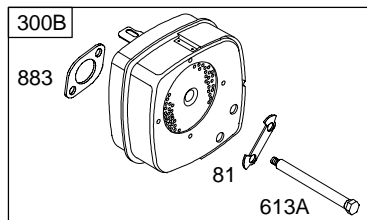
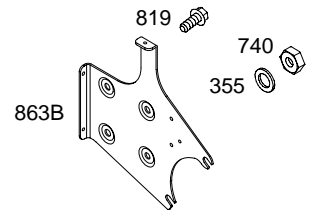
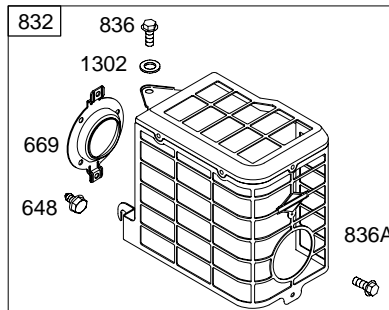
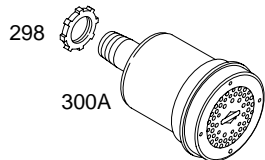
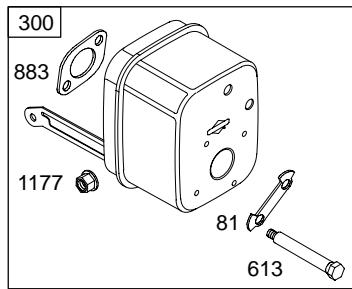
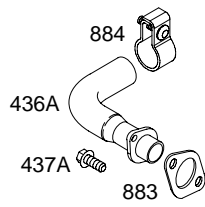
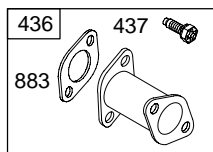
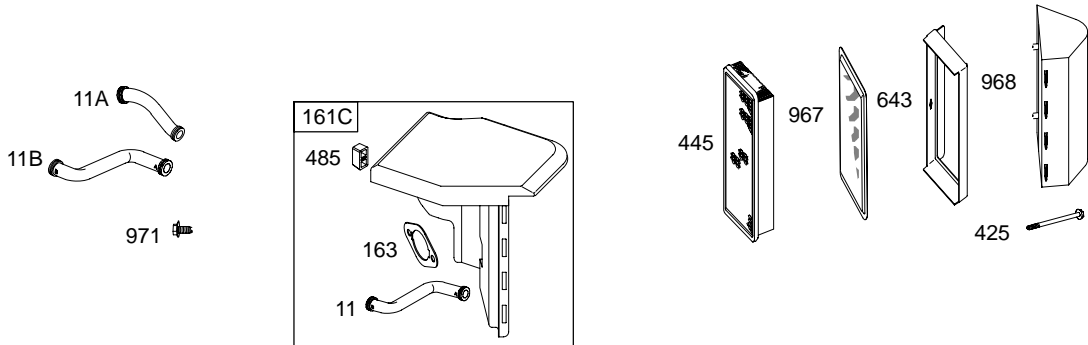
COPYRIGHT by BRIGGS & STRATTON CORPORATION
All rights reserved. No part of this material may be reproduced or transmitted, in any form or by any means, electronic or mechanical, including photocopying, recording or by any information storage and retrieval system, without permission in writing from Briggs & Stratton Corporation.



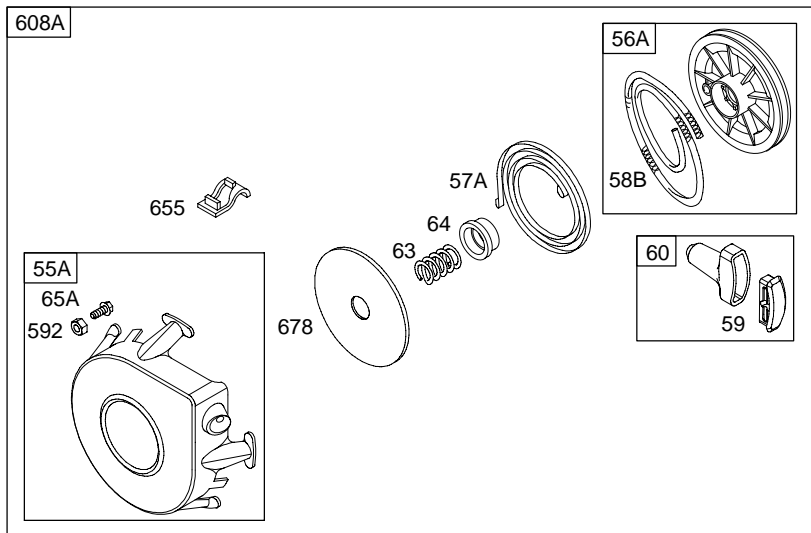
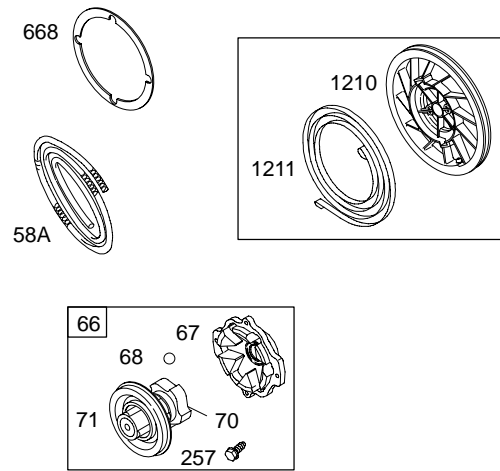
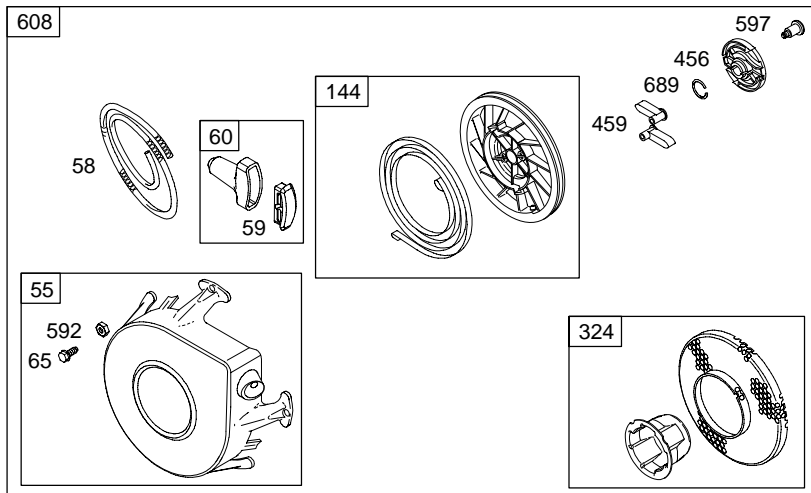
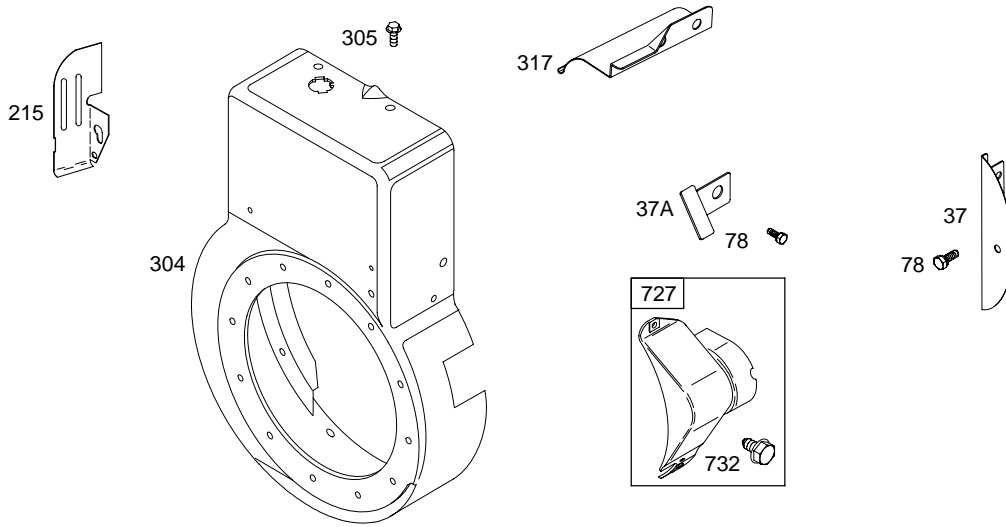
1019 LABEL KIT

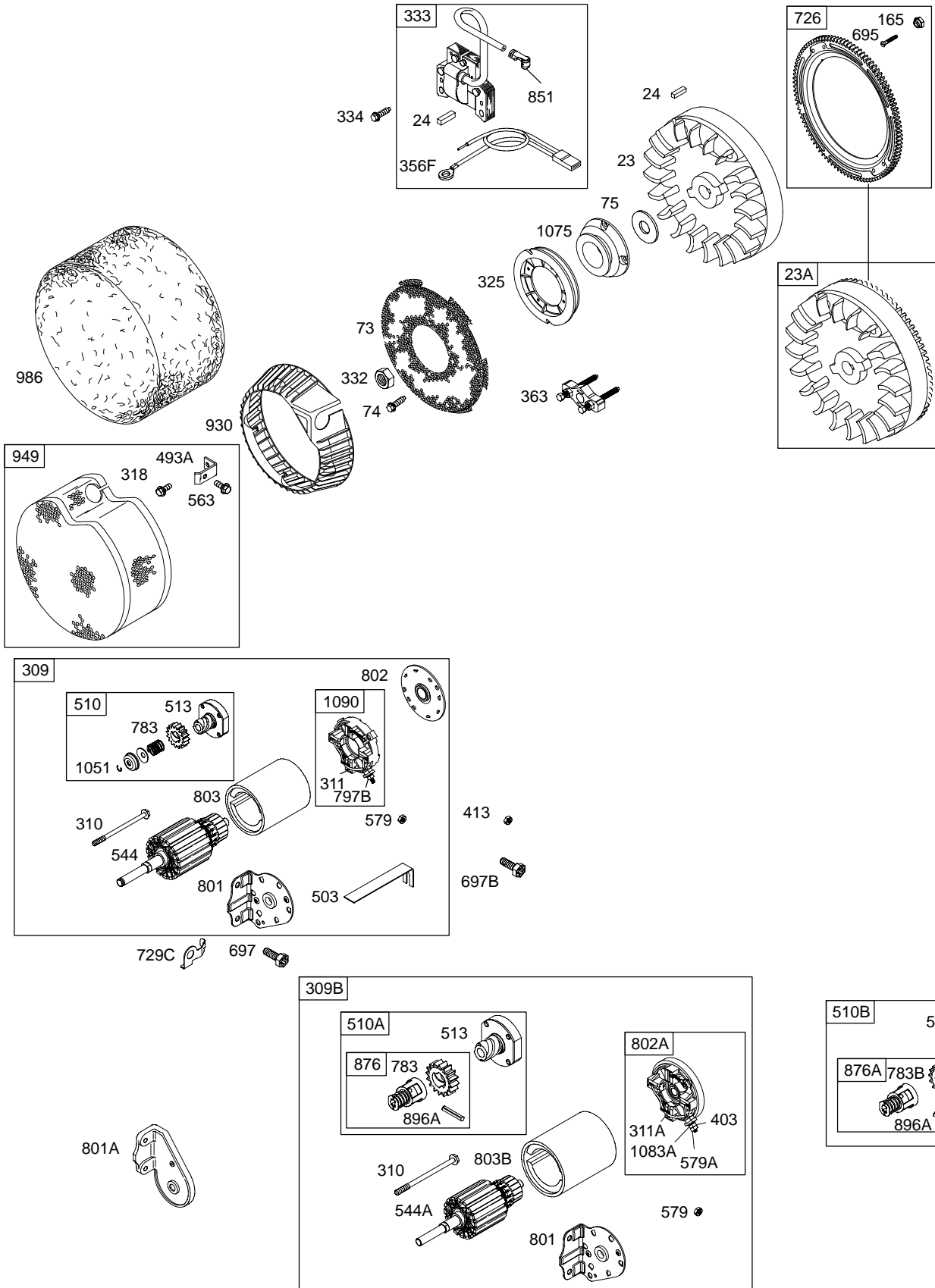
1058 OWNER'S MANUAL



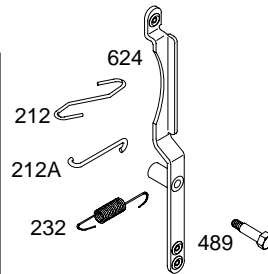
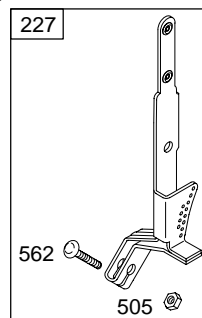
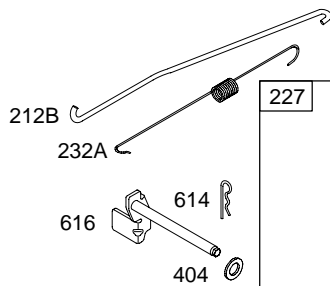
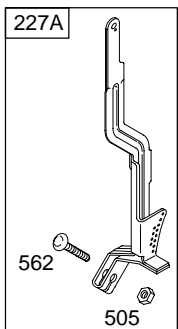
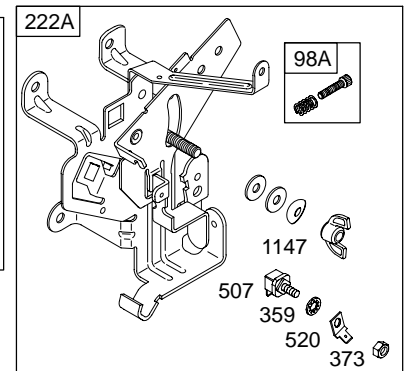
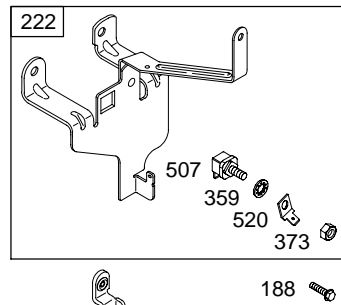
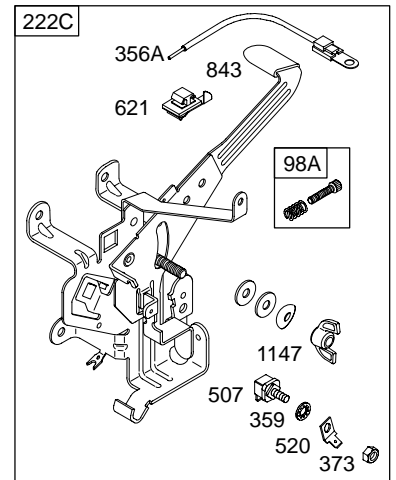
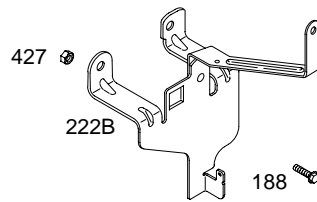
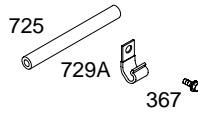
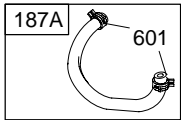
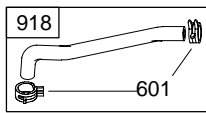
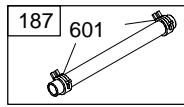
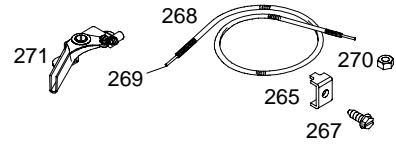
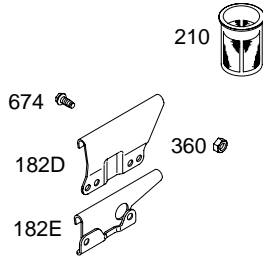
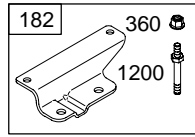
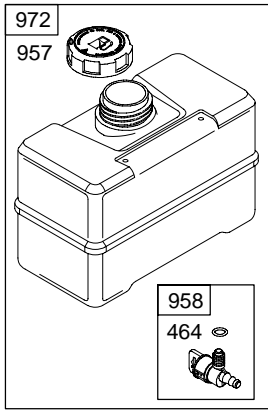


1036 EMISSION LABEL


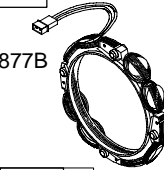
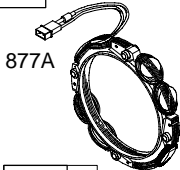
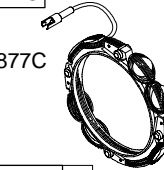
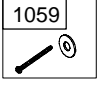
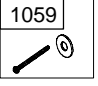
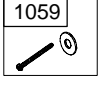
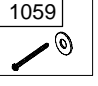
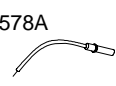
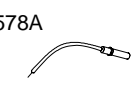
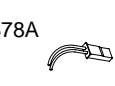





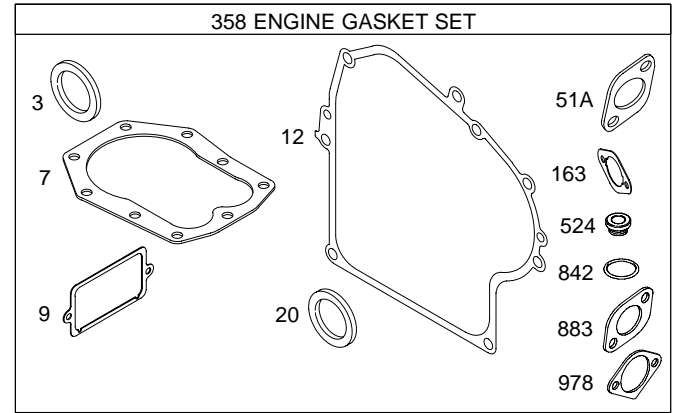
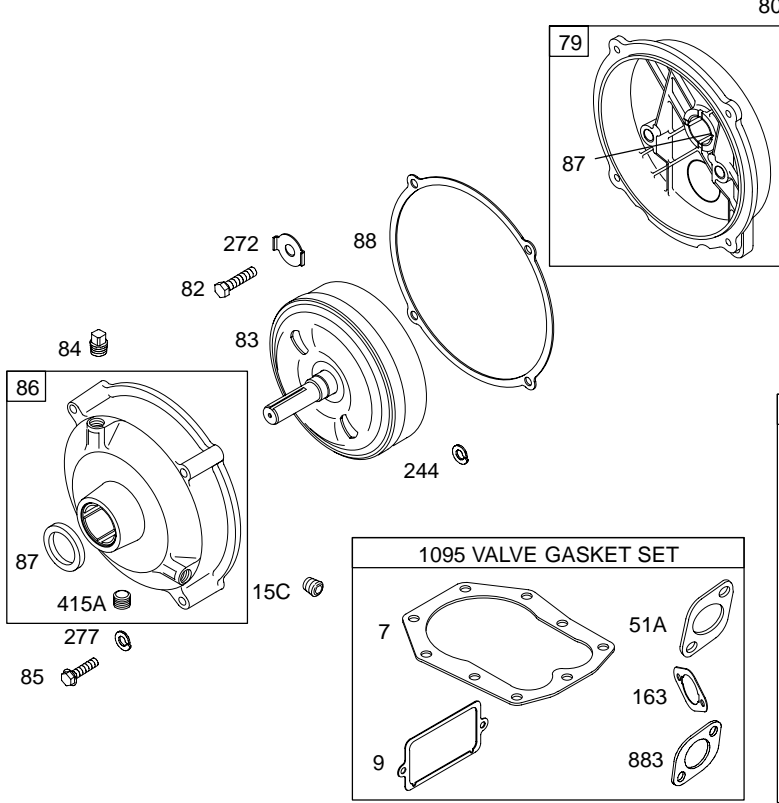
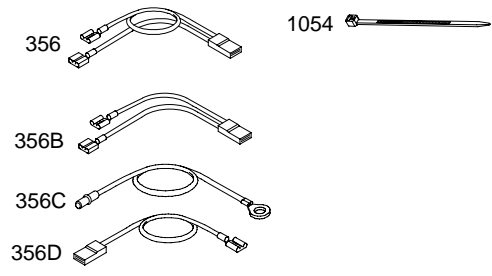
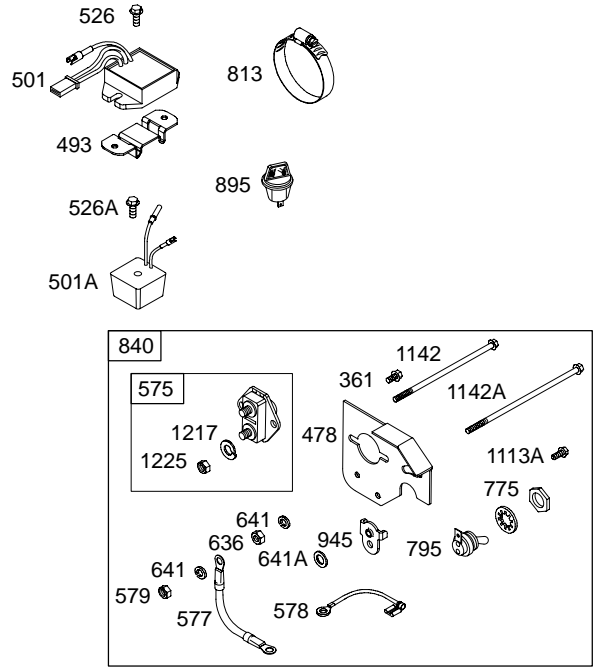
674A 



192400

DC ONLY	10 AMP	DUAL CIRCUIT	TRI-CIRCUIT
SEE FLYWHEEL ASSEMBLY	SEE FLYWHEEL ASSEMBLY	SEE FLYWHEEL ASSEMBLY	SEE FLYWHEEL ASSEMBLY
474 	474B 	474A 	474C 
			
578A 	578A 	878A 	878B 

NOTE: ALL OLD STYLE STATORS USE REFERENCE NUMBER 1119 MOUNTING SCREW



REF. NO.	PART NO.	DESCRIPTION	REF. NO.	PART NO.	DESCRIPTION	REF. NO.	PART NO.	DESCRIPTION
1	495631	Cylinder Assembly	15	690946	Plug–Oil Drain (Square Head)			495884 Crankshaft Used on Type No(s). 0023, 0128, 0159, 0160, 0161, 0185, 0523, 1023, 1128, 1137, 1147, 1148 1159, 1161, 6167.
2	495657	Kit–Bushing/Seal (Magneto Side)	15A	691680	Plug–Oil Drain (3/8" Square Socket)			
3	391086	Seal–Oil (Magneto Side)	15B	690343	Plug–Oil Drain (Hex Socket) Used on Type No(s). 1203.			497146 Crankshaft Used on Type No(s). 0122, 0123, 0125, 0622, 0623, 0625, 1122, 1125.
5	691715	Head–Cylinder	15C	691682	Plug–Oil Drain (1/4" Hex Socket)			
6	691261	Washer (Cylinder Head)	16	495790	Crankshaft Note _____			693013 Crankshaft Used on Type No(s). 0626, 0702, 1198, 1220.
7	∅★272163	Gasket–Cylinder Head			495648 Crankshaft Used on Type No(s). 0015, 0025, 0100, 0127, 0131, 0132, 0145, 0515, 0525, 0645, 1015, 1025, 1100, 1127, 1131, 1132, 1145, 1196, 1197, 1200, 1209, 1221.			499531 Crankshaft Used on Type No(s). 1205, 1211.
8	498038	Breather Assembly (Used After Code Date 95040200).			495655 Crankshaft Used on Type No(s). 0008, 0035, 0041, 0102, 0135, 0166, 0170, 0173, 0189, 0535, 0541, 0669, 0670, 0671, 1008, 1035, 1041, 1102, 1173, 1189, 1212, 1213.			496979 Cover– Crankcase Used on Type No(s). 0122, 0156, 0159, 0161, 0193, 0622, 0656, 1063, 1122, 1147, 1159, 1193, 1204, 1218, 1219.
8A	495736	Breather Assembly (Used After Code Date 95010100 and Before Code Date 95040300).			690834 Crankshaft Used on Type No(s). 0049, 0103, 0549, 1049.			496980 Cover– Crankcase Used on Type No(s). 0006, 0008, 0011, 0035, 0041, 0047, 0065, 0070, 0102, 0126, 0133, 0135, 0163, 0166, 0170, 0172, 0173, 0175, 0176, 0187, 0189, 0195, 0535, 0541, 0565, 0570, 0636, 0669, 0670, 0671, 1008, 1011, 1035, 1041, 1065, 1070, 1102, 1129, 1136, 1173, 1175, 1189, 1195, 1206, 1212, 1213, 1222.
8B	497710	Breather Assembly (Used Before Code Date 95010200).			495788 Crankshaft Used on Type No(s). 0192, 0193, 1193, 1204, 1218, 1219.			496981 Cover– Crankcase Used on Type No(s). 0047, 0126, 0547, 1047, 1126, 6167.
9	∅★27803	Gasket–Breather			495789 Crankshaft Used on Type No(s). 0047, 0126, 0547, 1047, 1126, 1206.	17	691069	Bearing–Ball
10	691666	Screw (Breather Assembly)			495866 Crankshaft Used on Type No(s). 0065, 0156, 0172, 0176, 0187, 0565, 0654, 0656, 1065.	18	496984	Cover–Crankcase Note _____
11	691907	Tube–Breather (Used After Code Date 95040200).						
11A	691899	Tube–Breather (Used After Code Date 95010100 and Before Code Date 95040300).						
11B	281426	Tube–Breather (Used Before Code Date 94111100).						
12	★692221	Gasket–Crankcase (.015" Thick) Note _____ ★27876 Gasket– Crankcase (.005" Thick) ★27877 Gasket– Crankcase (.009" Thick)						
13	691651	Screw (Cylinder Head) (2 5/8" Long)						
13A	690904	Screw (Cylinder Head) (3" Long)						
14	691690	Stud (Cylinder Head) (3" Long) Note _____ 691109 Stud (Cylinder Head) (Used in Position 1)						

★ Included in Engine Gasket Set–Ref. No.358.

● Included in Carburetor Overhaul Kit–Ref. No. 121.

◆ Included in Carburetor Gasket Set–Ref. No. 977.

∅ Included in Valve Gasket Set–Ref. No 1095.

192400

REF. NO.	PART NO.	DESCRIPTION	REF. NO.	PART NO.	DESCRIPTION	REF. NO.	PART NO.	DESCRIPTION
		496982 Cover–Crankcase Used on Type No(s). 0015, 0025, 0100, 0127, 0131, 0132, 0145, 0515, 0525, 0645, 1015, 1025, 1100, 1127, 1131, 1132, 1145, 1196, 1197, 1200, 1205, 1209, 1211, 1221.	25	499907	Piston Assembly (Standard) ———— Note ———— 499908 Piston Assembly (.010" Oversize) 499909 Piston Assembly (.020" Oversize) 499910 Piston Assembly (.030" Oversize)	37	690411	Guard–Flywheel ———— Note ———— 690490 Guard– Flywheel Used on Type No(s). 1129.
		496983 Cover–Crankcase Used on Type No(s). 0023, 0049, 0103, 0123, 0160, 0185, 0523, 0549, 0623, 0626, 0702, 1023, 1049, 1198, 1220.	26	499921	Ring Set (Standard) ———— Note ———— 299743 Ring Set (Standard) (Chrome) 690018 Ring Set (.010" Oversize) 690019 Ring Set (.020" Oversize) 690020 Ring Set (.030" Oversize)	37A	690488	Guard–Flywheel
		497171 Cover–Crankcase Used on Type No(s). 0125, 0161, 0625, 0654, 1125, 1148, 1161.				40	690656	Retainer–Valve (Intake)
19	295964	Kit–Bushing/Seal (PTO Side)	27	690975	Lock–Piston Pin	40A	691939	Retainer–Valve (Exhaust) (Used Before Code Date 95041700).
20	*391086	Seal–Oil (PTO Side)	28	499302	Pin–Piston (Standard) ———— Note ———— 499303 Pin–Piston (.005" Oversize)	42	494553	Keeper–Valve (Exhaust) (Used Before Code Date 95041700).
21	281658	Cap–Oil Fill	29	390401	Rod–Connecting ———— Note ———— 390773 Rod– Connecting (.020" Undersize)	45	691793	Tappet–Valve
22	691625	Screw (Crankcase Cover/Sump) ———— Note ———— 691103 Screw (Crankcase Cover/Sump) (Used in Position 1)	30	691728	Dipper–Connecting Rod	46	691167	Camshaft
23	690615	Flywheel (Rewind Start)	31	222114	Lock–Rod Screw	50	691157	Manifold–Intake
23A	691354	Flywheel (Electric Start)	32	690352	Screw (Connecting Rod)	51	◆◆691886	Gasket–Intake (Manifold to Carburetor)
24	222698	Key–Flywheel	33	691287	Valve–Exhaust (Used After Code Date 95041600).	51A	∅◆691885	Gasket–Intake (Manifold to Engine)
			33A	691794	Valve–Exhaust (Used Before Code Date 95041700).	53	691672	Stud (Carburetor)
			34	261055	Valve–Intake	54	93208	Screw (Intake Manifold)
			35	691605	Spring–Valve (Intake)	55	693904	Housing–Rewind Starter (Used After Code Date 99022800).
			36	691605	Spring–Valve (Exhaust) (Used After Code Date 95041600).	55A	393576	Housing–Rewind Starter (Used Before Code Date 99030100).
			36A	691597	Spring–Valve (Exhaust) (Used Before Code Date 95041700).	56A	295871	Pulley–Starter (Used Before Code Date 99030100).
						57A	490179	Spring–Rewind Starter (Used Before Code Date 99030100).
						58	693389	Rope–Starter (70" Long)
						58A	66894	Rope–Starter (99" Long) (Cut to Required Length)
						58B	692188	Rope–Starter (63" Long) (Cut to Required Length)
						59	490653	Insert–Grip

★ Included in Engine Gasket Set–Ref. No.358.

● Included in Carburetor Overhaul Kit–Ref. No. 121.

◆ Included in Carburetor Gasket Set–Ref. No. 977.

∅ Included in Valve Gasket Set–Ref. No. 1095.

REF. NO.	PART NO.	DESCRIPTION	REF. NO.	PART NO.	DESCRIPTION	REF. NO.	PART NO.	DESCRIPTION
60	490652	Grip–Starter Rope	84	691121	Plug–Breather (Square Head)			———— Note ————
63	690547	Spring–Ratchet (Used Before Code Date 99030100).	85	691076	Screw (Gear Case to Gear Reduction Case)			498838 Carburetor (LMT 119) (Used After Code Date 97052500 and Before Code Date 98032300). Used on Type No(s). 0505, 0515, 0523, 0525, 0535, 0541, 0547, 0549, 0565, 0570, 0616, 0622, 0623, 0625, 0626, 0636, 0643, 0645, 0654, 0656, 0667, 0668, 0669, 0670, 0671, 0672, 0673, 0691, 0694, 0702, 1005, 1011, 1015, 1023, 1025, 1035, 1041, 1047, 1049, 1065, 1070, 1100, 1102, 1115, 1116, 1122, 1125, 1126, 1127, 1128, 1131, 1132, 1136, 1143, 1159, 1161, 1167, 1168, 1189, 1191, 1193, 1194, 1196, 1197, 6167.
64	691920	Adapter–Ratchet Spring (Used Before Code Date 99030100).	86	690613	Cover–Gear			
65	690837	Screw (Rewind Starter) (Used After Code Date 99022800).	87	★391086	Seal–Gear Reduction			
65A	690759	Screw (Rewind Starter) (Used Before Code Date 99030100).	88	691601	Gasket–Gear Reduction Cover			
66	399671	Clutch–Starter (Used Before Code Date 99030100).	93	●690602	Bushing–Throttle Shaft			
67	394897	Clutch–Housing (Used Before Code Date 99030100).	94	494383	Kit–Idle Mixture			
68	691604	Ball–Clutch (Used Before Code Date 99030100).	94B	498836	Kit–Idle Mixture			
70	691945	Ratchet–Clutch (Used Before Code Date 99030100).	95	●691636	Screw (Throttle Valve)			
71	691359	Cover–Ratchet (Used Before Code Date 99030100).	98	495800	Kit–Idle Speed (Carburetor)			
		———— Note ————	98A	493280	Kit–Idle Speed (Control Bracket)			
		691945 Ratchet–Clutch Used on Type No(s). 1122, 1125.	104	●690525	Pin–Float Hinge			
73	691754	Screen–Rotating (Used After Code Date 99022800).	105	●691782	Valve–Float Needle			
74	691627	Screw (Rotating Screen)	106	●691780	Seat–Inlet			
		———— Note ————			———— Note ————			
		691692 Screw (Rotating Screen) Used on Type No(s). 0122, 0125, 0622, 0625, 1122, 1125.	108	692344	Valve–Choke			
75	690582	Washer (Flywheel)	121A	497578	Kit–Carburetor Overhaul			
78	690364	Screw (Flywheel Guard)	125	690119	Carburetor (LMT 204) (Used After Code Date 98032200). Used on Type No(s). 1005, 1008, 1011, 1015, 1023, 1025, 1035, 1041, 1047, 1049, 1063, 1065, 1070, 1100, 1102, 1115, 1116, 1122, 1125, 1126, 1127, 1128, 1129, 1131, 1132, 1136, 1137, 1143, 1144, 1145, 1147, 1148, 1159, 1161, 1167, 1168, 1173, 1175, 1186, 1189, 1191, 1193, 1194, 1195, 1196, 1197, 1198, 1200, 1204, 1205, 1206, 1209, 1211, 1212, 1213, 1216, 1218, 1219, 1220, 1221, 1222, 6167.			
79	690614	Case–Gear Reduction						497581 Carburetor (LMT 171) (Used After Code Date 94083100 and Before Code Date 97052600). 497038 Carburetor (LMT 103) (Used Before Code Date 94090100). 694285 Carburetor Used on Type No(s). 1203.
80	691603	Gasket–Gear Case						
81	691729	Lock–Muffler Screw						
82	690287	Screw (Gear Reduction Case)						
83	690387	Shaft–Auxillary Drive						
						127	●694524	Plug–Welch
						130	690468	Valve–Throttle
						131	693602	Kit–Throttle Shaft (Used After Code Date 94083100).
						131C	497042	Kit–Throttle Shaft (Used Before Code Date 94090100).
						133	494381	Float–Carburetor
						137	●281165	Gasket–Float Bowl
						141	497043	Kit–Choke Shaft

★ Included in Engine Gasket Set–Ref. No.358.

● Included in Carburetor Overhaul Kit–Ref. No. 121.

◆ Included in Carburetor Gasket Set–Ref. No. 977.

⊘ Included in Valve Gasket Set–Ref. No 1095.

192400

REF. NO.	PART NO.	DESCRIPTION	REF. NO.	PART NO.	DESCRIPTION	REF. NO.	PART NO.	DESCRIPTION
142A	693304	Nozzle-Carburetor (Standard) (Used On Carburetors 690119 & 694285) Note 691430 Nozzle-Carburetor (Standard) (Used On LMT 119) 690003 Nozzle-Carburetor (Standard) (Used On LMT 204) 499094 Nozzle-Carburetor (Standard) (Used On LMT 171) ●497196 Nozzle-Carburetor (Standard) (LMT 103)	170	691695	Stud (Crankcase Cover/Sump) (Used in Position 1) Used on Type No(s). 0122, 0125, 0133, 0145, 0156, 0166, 0173, 0175, 0185, 0186, 0189, 0622, 0625, 0645, 0654, 0656, 1122, 1125, 1145, 1147, 1148, 1173, 1175, 1186, 1189, 1197, 1204, 1209, 1218, 1219.	209	691309	Spring-Governor (Blue) Note 692136 Spring-Governor (Yellow) Used on Type No(s). 0001, 0005, 0006, 0007, 0011, 0070, 0115, 0116, 0133, 0134, 0137, 0140, 0141, 0143, 0152, 0163, 0167, 0168, 0171, 0175, 0177, 0180, 0185, 0186, 0190, 0191, 0195, 0505, 0570, 0616, 0636, 0643, 0667, 0668, 0672, 0673, 0691, 0694, 1005, 1011, 1065, 1070, 1115, 1116, 1129, 1136, 1143, 1144, 1167, 1168, 1175, 1186, 1191, 1194, 1195, 1203, 1216, 1222.
143	693301	Nozzle-Carburetor (High Altitude) (Used On Carburetors 690119 & 694285) Note 497660 Nozzle-Carburetor (High Altitude) (Used on LMT 119) 690006 Nozzle-Carburetor (High Altitude) (Used on LMT 204) 499111 Nozzle-Carburetor (High Altitude) (Used on LMT 171) 497040 Nozzle-Carburetor (High Altitude) (Used on LMT 103)	182	495664	Bracket-Fuel Tank	209A	260723	Spring-Governor (Used Before Code Date 94090100).
144	697843	Pulley/Spring Assembly	182D	694592	Bracket-Fuel Tank (High Mount)	209C	263054	Spring-Governor (Used After Code Date 94083100 and Before Code Date 97042800).
146	690979	Key-Timing	182E	690486	Bracket-Fuel Tank (Low Mount) Used on Type No(s). 0100, 0102, 0103.	210	691370	Strainer-Fuel Used on Type No(s). 0115, 0116, 0190.
147	●497472	Jet-Pilot (Used on LMT 103) Note 691258 Jet-Pilot (Used on LMT 119)	185	690958	Nut (Air Cleaner Base)	211	691307	Spring-Governed Idle
161C	498544	Base-Air Cleaner	186	691609	Connector-Hose (90 Degree)	212	691853	Link-Throttle (Linkage Lever to Throttle Shaft)
163	∅★692277	Gasket-Air Cleaner	186A	691764	Connector-Hose (Straight)	212A	691854	Link-Throttle (Governor Control Lever to Throttle Shaft)
165	693148	Nut (Ring Gear)	186B	692317	Connector-Hose (90 Degree) (Carburetor)	212B	262970	Link-Throttle (Governor Control Lever To Linkage Lever)
			187	296004	Line-Fuel (Cut to Required Length)	215	691170	Guide-Air
			187A	497029	Line-Fuel (Molded)	219	496786	Gear-Governor
			188	691693	Screw (Control Bracket)	220	691724	Washer (Governor Gear)

★ Included in Engine Gasket Set-Ref. No.358.

● Included in Carburetor Overhaul Kit-Ref. No. 121.

◆ Included in Carburetor Gasket Set-Ref. No. 977.

∅ Included in Valve Gasket Set-Ref. No 1095.

REF. NO.	PART NO.	DESCRIPTION	REF. NO.	PART NO.	DESCRIPTION	REF. NO.	PART NO.	DESCRIPTION
222	694182	Bracket–Control	300A	692025	Muffler	332	693899	Nut
222A	691480	Bracket–Control (Used After Code Date 97042700).	300B	691951	Muffler			(Flywheel)
		———— Note ————	300C	498984	Muffler			(Used After Code Date 99022800).
		499724 Bracket–Control (Used Before Code Date 97042800).	304	491596	Housing–Blower	333	398811	Armature–Magneto
		———— Note ————			———— Note ————	334	691061	Screw
222B	693606	Bracket–Control		491592	Housing–Blower			(Magneto Armature)
222C	691478	Bracket–Control (Used After Code Date 97042700).			Used on Type No(s). 0001, 0006, 0025, 0041, 0115, 0131, 0141, 0171, 0191, 0525, 0541, 0670, 0673, 0691, 0694, 1025, 1041, 1115, 1129, 1131, 1137, 1144, 1191, 1194, 1203, 1212, 1218, 1221, 1222.	337	802592	Plug–Spark
		———— Note ————			496835 Housing–Blower	338	690270	Gasket–Dipstick
227	692143	Lever–Governor Control (Short Lever)			Used on Type No(s). 0125, 0161, 0625, 0654, 1125, 1148, 1161.	346	690661	Screw
227A	496253	Lever–Governor Control (Long Lever) (Used Before Code Date 94090100).			497172 Housing–Blower	349	691105	Nut
232	691846	Spring–Governor Link			Used on Type No(s). 0122, 0156, 0622, 0656, 1122.	355	690310	Washer
232A	691848	Spring–Governor Link	305	692198	Screw			(Muffler Bracket)
240	394358	Filter–Fuel			(Blower Housing)	356	491391	Wire–Stop
		———— Note ————	306	496797	Shield–Cylinder			(Magneto Armature to Stop Switch)
		298090 Filter–Fuel Used on Type No(s). 0160, 0185, 1203.	307	691003	Screw	356A	691408	Wire–Stop
244	691075	Washer (Gear Reduction Case)			(Cylinder Shield)			(Jumper Wire)
257	691660	Screw (Starter Clutch)	308A	691201	Cover–Cylinder Head	356B	398838	Wire–Stop
265	691024	Clamp–Casing	309	693054	Motor–Starter			(Dual Stop)
267	690804	Screw (Casing Clamp)	309B	498149	Motor–Starter	356C	692149	Wire–Stop
268	691025	Casing–Control Wire (Cut to Required Length)			Used on Type No(s). 0125, 0161, 0625, 0654, 1125, 1148, 1161.	356D	491927	Wire–Stop
269	691026	Wire–Control (Cut to Required Length)	310	690323	Bolt (Starter Motor) (3 5/8" Housing Length)	356F	398808	Wire–Stop
270	691027	Nut (Control Wire Casing)						(Magneto Armature)
271	691028	Lever–Control	311	497608	Brush Set	357	691483	Key–Drive Pulley
272	691168	Lock–Screw Head (Gear Reduction Case)	311A	395538	Brush Set (3 5/8" Housing Length)	358	497070	Gasket Set–Engine
276	◆692255	Washer–Sealing				359	691077	Washer
277	691075	Washer (Gear Case to Gear Reduction)	317	692860	Cover–Starter			(Ground Terminal)
298	690453	Locknut–Muffler/Elbow	318	691617	Screw (Mounting Bracket)	360	691105	Nut
300	497141	Muffler	324	695160	Screen/Cup Assembly			(Fuel Tank Bracket)
			325	691903	Pulley–Starter Rope	361	691681	Screw
								(Starting Switch)
						363	19203	Puller–Flywheel
						367	691058	Screw
								(Wire Clip)
								(OIL GARD® Kit)
						373	691612	Nut
								(Ground Terminal)
						383	89838	Wrench–Spark Plug
						385	691673	Screw
								(Fuel Pump)
						387	692026	Pump–Fuel
						403	690288	Washer
								(End Cap)
						404	691691	Washer
								(Governor Crank)
						413	691029	Nut
								(Starter Motor)
								(Terminal)
						415	693463	Plug
								Used on Type No(s). 1015, 1025, 1196, 1197, 1200.
						415A	690283	Plug
								(Square Head)

★ Included in Engine Gasket Set–Ref. No.358.

● Included in Carburetor Overhaul Kit–Ref. No. 121.

◆ Included in Carburetor Gasket Set–Ref. No. 977.

⊘ Included in Valve Gasket Set–Ref. No 1095.

192400

REF. NO.	PART NO.	DESCRIPTION	REF. NO.	PART NO.	DESCRIPTION	REF. NO.	PART NO.	DESCRIPTION
425	691671	Screw (Air Cleaner Cover)	525B	691257	Tube–Dipstick	641A	690282	Washer (Starting Switch)
428	691612	Nut (OIL GARD® Kit)	526	690297	Screw (Regulator)	643	691926	Retainer–Air Filter
436	497140	Manifold–Exhaust	526A	690326	Screw (Regulator)	648	690661	Screw (Muffler Guard Bracket)
436A	690797	Manifold–Exhaust	544	692034	Armature–Starter	655	691734	Anchor–Rewind Spring
437	695974	Screw (Exhaust Manifold)	544A	390837	Armature–Starter (3 5/8" Housing Length)	661	690661	Screw (OIL GARD® Light Bracket)
437A	690810	Screw (Exhaust Manifold)	552	491986	Bushing–Governor Crank	668	690500	Spacer
441	690501	Bracket–Oil Fill	562	691119	Bolt (Governor Control Lever)	669	691228	Bracket–Muffler Guard
445	691643	Filter–Air Cleaner Cartridge	563	690859	Screw (Debris Screen Guard)	669A	692869	Bracket–Muffler Guard
449	691130	Screw (Oil Fill Bracket)	575	692303	Switch–Starting	674	691058	Screw (Fuel Tank Bracket)
456	692299	Plate–Pawl Friction (Used After Code Date 99022800).	577	690630	Cable–Starter	674A	690708	Screw (Fuel Tank Bracket)
459	281505	Pawl–Ratchet (Used After Code Date 99022800).	578	690647	Wire Assembly (Starter Switch to Ground Wire Terminal)	676	393757	Deflector–Muffler (Side Out)
464	691898	Seal–O Ring (Fuel Shut–Off Valve)	578A	692306	Wire Assembly (DC Only)	Note		
474	696578	Alternator (DC Only)	579	691029	Nut (Starter Cable)	393761	Deflector– Muffler (Side Out) Used on Type No(s). 0133, 0175, 1175.	
474A	696459	Alternator (Dual Circuit)	579A	691626	Nut (Starter Cable)	676A	395700	Deflector–Muffler (Direct Out)
474B	696458	Alternator (10 Amp)	592	690800	Nut (Rewind Starter)	677	690661	Screw (Muffler Deflector)
474C	696457	Alternator (Tri–Circuit)	597	691696	Screw (Pawl Friction Plate) (Used After Code Date 99022800).	678	490817	Spacer–Rewind
478	395410	Panel	601	95162	Clamp–Hose	689	691855	Spring–Friction (Used After Code Date 99022800).
485	692295	Knob–Control	608	693900	Starter–Rewind (70" Long) (Used After Code Date 99022800).	695	693109	Screw (Ring Gear)
489	691776	Screw (Linkage Lever)	608A	390391	Starter–Rewind (Used Before Code Date 99030100).	697	691110	Screw (Drive Cap) (1 1/4" Long)
493	691177	Bracket–Mounting (Regulator)	613	691351	Screw (Muffler)	697B	690372	Screw (Drive Cap) (1/2" Long)
493A	692825	Bracket–Mounting (Debris Screen Guard)	613A	691632	Screw (Muffler)	718	690959	Pin–Locating
501	691185	Regulator	614	691620	Pin–Cotter	725	690403	Shield–Heat Used on Type No(s). 1203.
501A	691188	Regulator	616	691405	Crank–Governor	726	399676	Gear–Ring
503	691532	Strap–Starter	621	692310	Switch–Stop	727	395405	Cover–Starter Drive
505	691251	Nut (Governor Control Lever)	624	691415	Lever–Linkage	Note		
507	691972	Insulator	634	●690802	Spring/Seal Assembly	497169	Cover–Starter Drive Used on Type No(s). 0125, 0161, 0625, 0654, 1125, 1148, 1161.	
510	497606	Drive–Starter	635	66538	Boot–Spark Plug			
510A	490768	Drive–Starter	636	696198	Nut (Starting Switch) (Terminal)			
510B	495878	Drive–Starter	641	691075	Washer (Starting Switch)			
513	692024	Clutch–Drive						
520	691084	Terminal–Ground						
523	691386	Dipstick						
523A	691942	Dipstick						
524	★281370	Seal–Dipstick Tube						
525	691389	Tube–Dipstick						
525A	91258	Tube–Dipstick						

★ Included in Engine Gasket Set–Ref. No.358.

● Included in Carburetor Overhaul Kit–Ref. No. 121.

◆ Included in Carburetor Gasket Set–Ref. No. 977.

⊘ Included in Valve Gasket Set–Ref. No 1095.

REF. NO.	PART NO.	DESCRIPTION	REF. NO.	PART NO.	DESCRIPTION	REF. NO.	PART NO.	DESCRIPTION
729A	690430	Clip-Wire (OIL GARD® Kit)	876	495877	Kit-Pinion Spring	983	398660	Light-Indicator
729C	691224	Clip-Wire (Starter Motor)	876A	495879	Kit-Pinion Spring Used on Type No(s). 0125, 0161.	984	692340	Bracket- OIL GARD® Light
732	691097	Screw (Starter Drive Cover)	877	393814	Wire/Connector- Alternator (DC Only)	986	271735	Filter-Debris Foam
740	691105	Nut (Muffler Bracket)	877A	393456	Wire/Connector- Alternator (Dual Circuit)	987	●691326	Seal-Throttle Shaft
741	691288	Gear-Timing	877B	399916	Wire/Connector- Alternator (10 Amp)	989	690578	Stop Switch- Spark Plug
775	690315	Nut (Toggle Switch)	877C	393537	Wire/Connector- Alternator (Tri-Circuit)	994	399541	Arrestor-Spark
783	693059	Gear-Pinion	878A	691237	Harness-Alternator (Dual Circuit)	994A	392390	Arrestor-Spark
783B	692353	Gear-Pinion	878B	691955	Harness-Alternator (Tri-Circuit)	1019	491193	Kit-Label
789	398661	Harness-Wiring	883	∅*697815	Gasket-Exhaust	1036	696768	Label-Emissions (Used After Code Date 01073000).
795	496590	Switch-Toggle	884	691956	Clamp-Muffler			————— Note —————
797B	690958	Nut (Brush Retainer)	895	692309	Switch-Rotary			695696 Label- Emissions
801	691429	Cap-Drive	896A	691641	Pin-Drive Retainer			(Used After Code Date 000630000 and Before Code Date 01073100).
801A	496825	Cap-Drive Used on Type No(s). 0125, 0161.	898	691077	Washer (OIL GARD® Kit)			694988 Label- Emissions
802	691286	Cap-End	918	497457	Hose-Vacuum (Molded)			(Used After Code Date 99093000 and Before Code Date 00070100).
802A	395537	Cap-End (3 5/8" Housing Length)	930	691904	Guard-Rewind			694313 Label- Emissions
803	693757	Housing-Starter			————— Note —————			(Used After Code Date 98123100 and Before Code Date 99100100).
803B	398159	Housing-Starter (3 5/8" Housing Length)			692930 Guard- Rewind			499354 Label- Emissions
813	690635	Clamp			Used on Type No(s). 0122, 0125, 0622, 0625, 1122, 1125.			(Used After Code Date 97052500 and Before Code Date 99010100).
819	690661	Screw (Muffler Bracket)	945	692132	Bracket-Starter Motor			499353 Label- Emissions
832	691447	Guard-Muffler	949	397530	Guard-Debris Screen			(Used Before Code Date 97052600).
836	692198	Screw (Muffler Guard)	950	691657	Screw-Float Bowl			
840	395408	Kit-Panel	957	493988	Cap-Fuel Tank	1051	691265	Ring-Retaining
842	★691870	Seal-O Ring (Dipstick/Tube)	958	698182	Valve-Fuel Shut Off	1054	280275	Tie-Cable
843	691322	Sleeve-Lever	967	492889	Filter-Pre Cleaner	1058	274786	Owner's Manual
847	399901	Dipstick/Tube Assembly	968	691925	Cover-Air Cleaner	1059	698516	Kit-Screw/Washer
847A	493955	Dipstick/Tube Assembly	971	691003	Screw (Air Cleaner Base to Carburetor)	1075	691158	Pulley-Crankshaft
851	493880	Terminal-Spark Plug	972	691993	Tank-Fuel (4 Quart)	1083A	690958	Nut (End Cap)
863B	690454	Bracket-Muffler	975	495933	Bowl-Float	1090	691293	Retainer-Brush
868	692036	Seal-Valve	977	497069	Gasket Set- Carburetor	1091	691333	Cap-Limiter
869	691703	Seat-Valve (Intake)	978	★273326	Gasket-OIL GARD®	1095	498534	Gasket Set-Valve
870	691844	Seat-Valve (Exhaust)	979	691382	Cover-OIL GARD®	1113A	691693	Screw (Panel)
871	261961	Bushing-Valve Guide (Exhaust)	980	398182	Kit-OIL GARD®	1119	691183	Screw (Alternator)
		————— Note —————	982	690351	Screw (OIL GARD® Cover)			
		231218 Bushing- Valve Guide (Intake)	982A	690350	Screw (OIL GARD® Kit)			

★ Included in Engine Gasket Set-Ref. No.358.

● Included in Carburetor Overhaul Kit-Ref. No. 121.

◆ Included in Carburetor Gasket Set-Ref. No. 977.

∅ Included in Valve Gasket Set-Ref. No 1095.

192400

REF. NO.	PART NO.	DESCRIPTION	REF. NO.	PART NO.	DESCRIPTION	REF. NO.	PART NO.	DESCRIPTION
1142	690323	Screw (Starter Motor Bracket) (4 7/16" Long)	1200	691690	Stud (Fuel Tank Bracket)	1217	691075	Washer (Starting Switch)
1142A	692329	Screw (Starter Motor Bracket) (5" Long)	1210	498144	Pulley/Spring Assembly (Pulley) (Used After Code Date 00082000 and Before Code Date 01051100).	1225	691029	Nut (Starting Switch)
1147	690355	Nut (Control Bracket)				1235	691261	Washer (Spark Plug Stop Switch)
1158	695659	Screw (Carburetor Plug)	1211	498144	Pulley/Spring Assembly (Spring) (Used After Code Date 00082000 and Before Code Date 01051100).	1302	691113	Washer (Muffler Guard)
1177	691105	Nut (Muffler)						

★ Included in Engine Gasket Set—Ref. No.358.

● Included in Carburetor Overhaul Kit—Ref. No. 121.

◆ Included in Carburetor Gasket Set—Ref. No. 977.

∅ Included in Valve Gasket Set—Ref. No 1095.