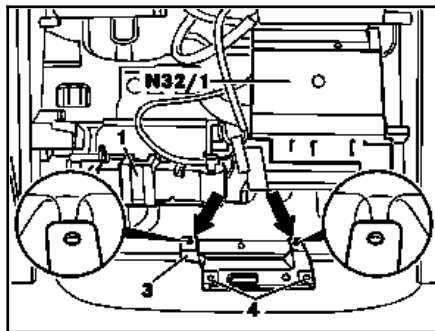


MODEL 210



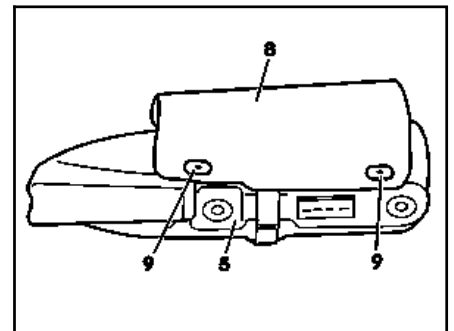
The mount for fire extinguisher can be fastened to the front seat cushion frame on the left front seat in vehicles with left-hand steering or the right front seat on vehicles with right-hand steering with a mounting bracket.



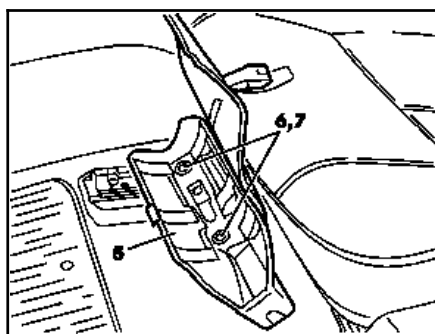
P86.10-0204-01

- 1 Multi-point connector
- 3 Mounting bracket
- 4 Clip nuts
- 5 Mount
- 8 Cover
- 9 Plugs

N32/1 Control module

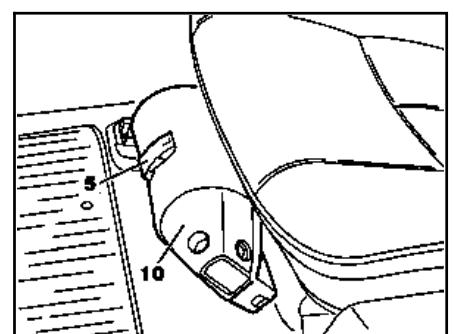


P86.10-0205-01



P86.10-0206-01

- 5 Mount
- 6 Screws
- 7 Countersunk washers
- 5 Mount
- 10 Fire extinguisher



P86.10-0207-01

Removal			
1.1	Remove left front seat	<i>i</i> If fire extinguisher is to be installed on left front seat.	AR91.10-P-1000F
1.2	Remove right front seat	<i>i</i> If fire extinguisher is to be installed on right front seat.	AR91.10-P-1000F
2	Remove multi-point connector (1)	<i>i</i> If necessary remove left front seat adjustment control module (N32/1).	
Installation			
3	Knock mounting bracket (3) onto front seat cushion frame with rubber hammer	<i>i</i> Ensure that the two holes (arrows) are located above the beads in the front seat cushion frame.	
4	Drill mounting holes using holes in mounting bracket (3) as template	<i>i</i> 2.5 mm dia.	
5	Screw mounting bracket (3) onto front seat cushion frame with self-tapping screws		
6	Install clip nuts (4) on mounting bracket (3)		
7	Install left or right front seat		AR91.10-P-1000F
8	Fasten cover (8) to mount (5) with plugs (9)		
9	Screw fire extinguisher mount (5) onto mounting bracket with screws (6) and countersunk washers (7)		
10	Fasten fire extinguisher (10) into mount (5)		

Parts ordering notes

The parts required for installation are listed in the following parts documents:

Parts microfiche, group or SA	Designation	Quantity
91	Fire extinguisher and mounting parts	1