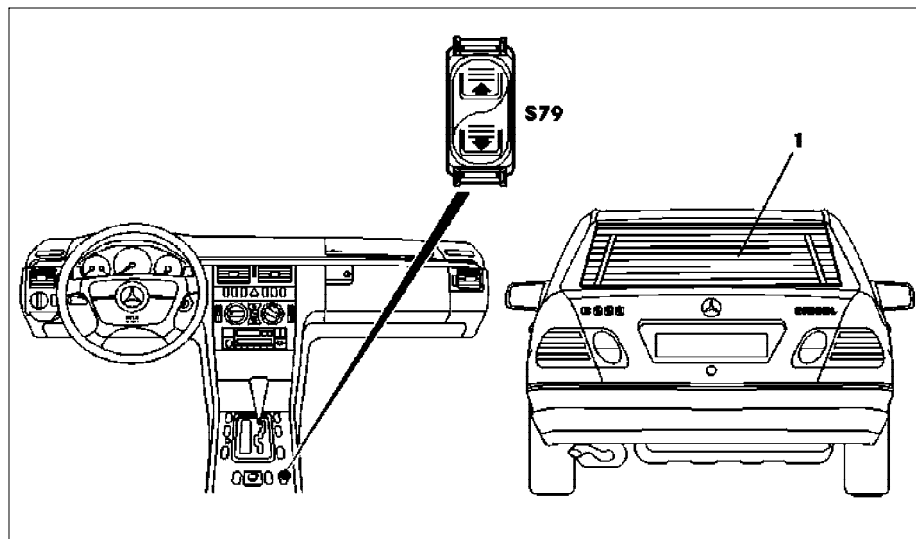


MODEL 210.01 *Electric scissors-type sunshade*S79 *Switch of rear window electric sunshade (center console)*

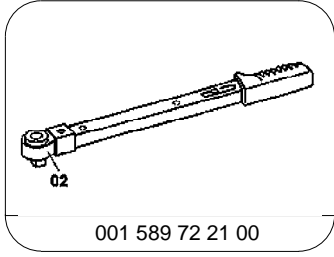
P68.50-0203-05

	Removing		
1	Disconnect ground cable at battery		AR54.10-P-0003A
2	Lower rear head restraints		
3	Remove door entrance panel at left front and rear doors		
4	Remove left front seat		AR91.10-P-1000F
5	Remove rear shelf		AR68.30-P-4580F
6	Open cable duct cover at left rear seat		
7	Pull off edge protector in bottom area of left B-pillar		
8	Remove bottom B-pillar trim on left		
9	Take out footmats in left front footwell		
10	Remove cover at bottom left of A-pillar		
11	Remove cover below instrument panel on left		AR68.10-P-1500F
12	Slacken accelerator pedal in bottom area		
13	Remove left front carpeting		
14	Remove air duct in left front footwell		
15	Remove footrest in left front footwell		
16	Remove center console		AR68.20-P-2000F
17	Remove air duct for rear fresh air flow below center console		
18	Open cable duct cover at entrances of left front and rear doors		
19	Open cable duct cover in front left footwell		
20	Remove cover from fuse and relay box		
	Installing		
21	Retrofit wiring harness of electric scissors-type sunshade		AN68.50-P-0001-01A
22	Retrofit electric scissors-type sunshade	 	AN68.50-P-0001-02A *BA68.50-P-1001-01B *001589722100
23	Install in the reverse order	 Operation 20 - 1.	
24	Carry out operational check		

 **Curtains/sunshades**

Number	Designation	Model 210

BA68.50-P-1001-01B	Nut of scissors-type sunshade to top of partition	Nm	7
--------------------	---	----	---



Torque wrench

Parts ordering notes

Refer to the following parts documentation for the parts required for installation:

Parts microfiche, group or SA	Designation	Qty.
99	Parts supplied	1
68	Rear shelf (order according to optional equipment and color of equipment)	1
68	Cover of shift lever (only required if cover is not reworked)	1
commercially available	Shrink-fit sleeving	1