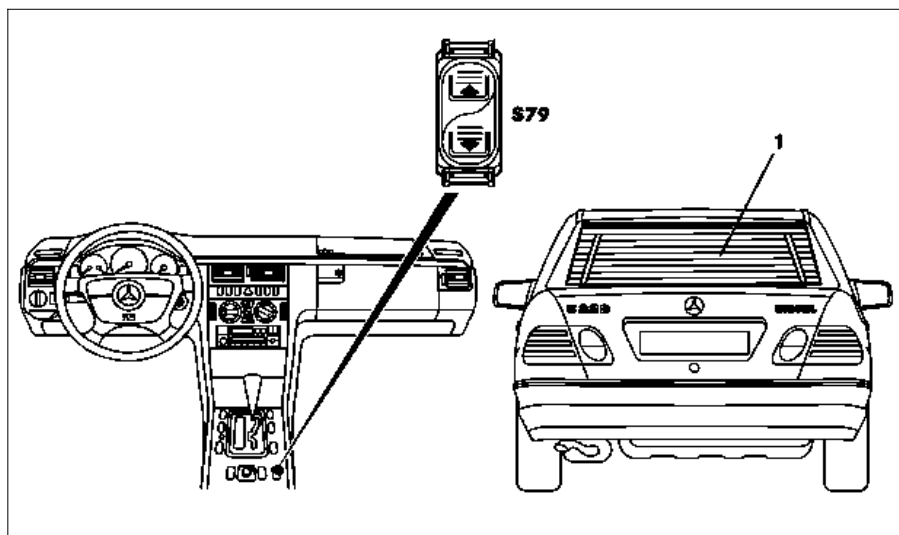


## MODEL 210.0

1 Electric scissors-type blind

S79 Rear window electric roller blind switch (center console)

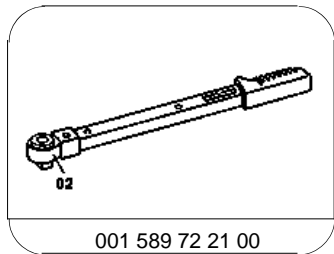


P68.50-0203-05

	Remove		
1	Disconnect ground lead from battery		AR54.10-P-0003A
2	Lower rear head restraints		
3	Remove door sill molding from left front and rear door		
4	Remove left front seat		AR91.10-P-1000F
5	Remove rear shelf		AR68.30-P-4580F
6	Open line shaft cover on left rear seat		
7	Remove edge guard in lower area of left B-pillar		
8	Remove lower left B-pillar panel		
9	Remove floor mats in left front footwell		
10	Remove cover on left bottom on A-pillar		
11	Remove cover below dashboard on left		AR68.10-P-1500F
12	Detach accelerator pedal in lower area		
13	Remove left front carpeting		
14	Remove air duct in left front footwell		
15	Remove footrest in left front footwell		
16	Remove center console		AR68.20-P-2000F
17	Remove air duct for rear compartment ventilation below center console		
18	Open line shaft cover on entrances on left front and rear door		
19	Open line shaft cover in left front footwell		
20	Remove cover from fuse and relay box		
	<b>Install</b>		
21	Retrofit wiring harness of electric scissors-type roller blind		AN68.50-P-0001-01A
22	Retrofit electric scissors-type roller blind	 	AN68.50-P-0001-02A *BA68.50-P-1001-01B *001589722100
23	Install in the reverse order		Operation steps 20 - 1.
24	Carry out function check		

## Curtains/sun shades

Number	Designation	Model 210
BA68.50-P-1001-01B	Nut, scissors-type blind on upper partition wall	Nm 7

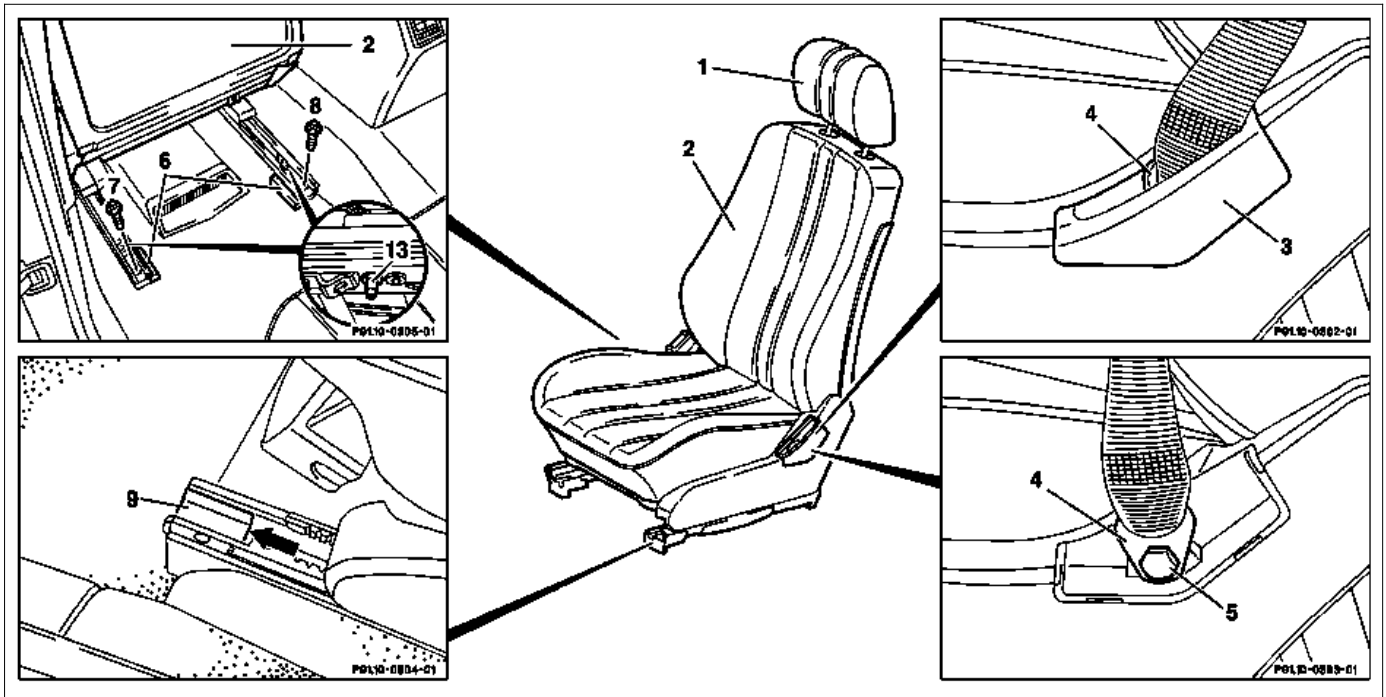


Torque wrench

### Parts ordering notes

The parts required for installation can be found in the following replacement part documentation:

RP microfiche, group or special equipment	Designation	Quantity
99	Scope of supply	1
68	Rear shelf (Order according to scope of special equipment and equipment color)	1
68	Shift lever cover (Not required when cover is not reworked)	1
Commercially available	Heat-shrinkable tube	1



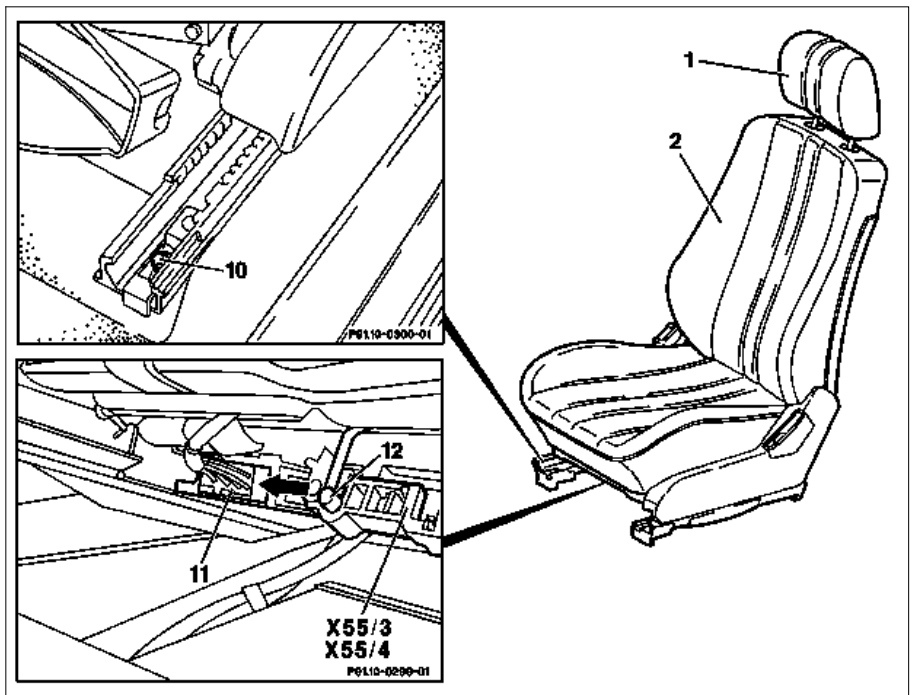
P91.10-0301-09

- 1 Head restraint
- 2 Front seat
- 3 Trim panel
- 4 Belt end fitting




- 5 Screw
- 6 Covers
- 7 Screw




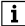


- 8 Screw
- 9 Cover
- 13 Arresting bolts

- 1 Head restraint
- 2 Front seat
- 10 Front screw
- 11 Connector
- 12 Pneumatic line
- X55/3 Left seat contacting strip
- X55/4 Right seat contacting strip



P91.10-0298-06

 	Removal, installation		
1	Remove head restraint (1)		
2	Move front seat (2) toward front		
3	Pull off cover (3) on belt end fitting (4)		
4	Unscrew screw (5, a/f 17) on belt end fitting	Nm	*BA91.40-P-1001-01A
		 When installing, screw on belt end fitting so that it can move .	
5	Pull off cover (6) on rear seat rails		
6	Unscrew screws (7 and 8) on rear seat rails	Nm	*BA91.10-P-1001-01A

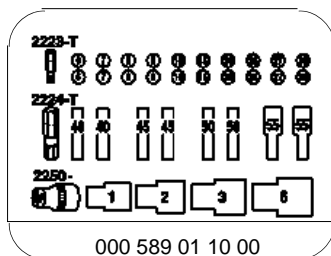
		 Use E12 external Torx socket wrench attachment. 	*000589011000
N	Move front seat (2) toward rear		
8	Remove fire extinguisher from holder		
9	Pull off 2 covers (9) on front seat rails		
10	Unscrew 2 screws (10), on front seat rails	  Use E12 external Torx socket wrench attachment. 	*BA91.10-P-1001-01A  *000589011000
11	Disconnect connector (11) and pneumatic line (12) from front seat cushion frame on contacting strip (X55/3)		
12	Lift and remove front seat (2)	 When installing insert arresting bolts (13) into mounting hole in rear consoles.	
13	Install in opposite order		

### Front seats

Number	Designation		Model 210
BA91.10-P-1001-01A	Screw on seat rail	Nm	50

### Seatbelts/emergency tensioning retractors

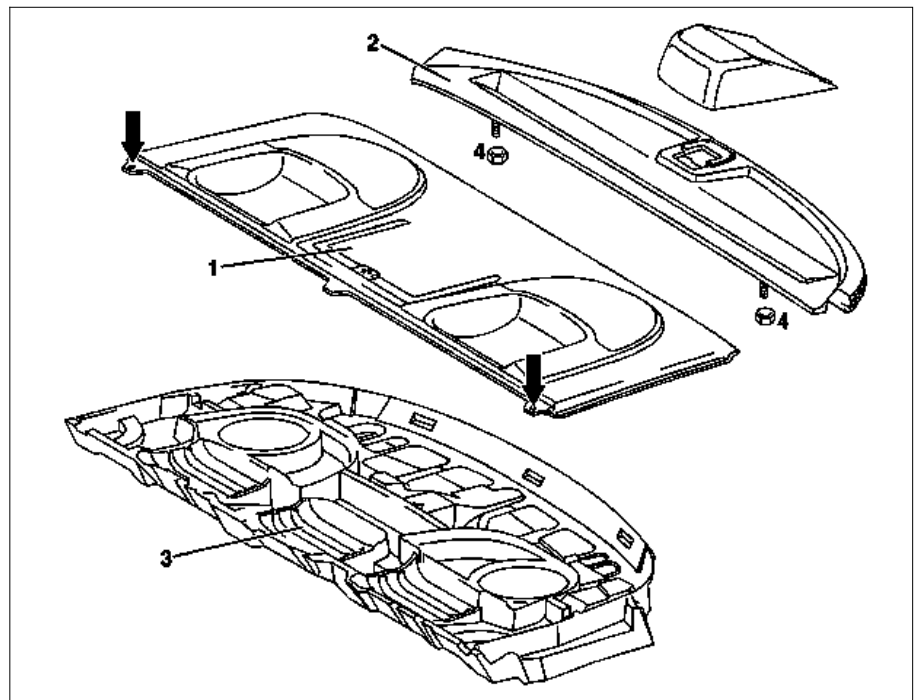
Number	Designation		Model 210
BA91.40-P-1001-01A	Screw on belt end fitting	Nm	35



TORX bit set

## MODEL 210

- 1 Rear shelf (front section)  
 2 Rear shelf (rear section)  
 3 Insulation  
 4 Nut (rear section)  
 Arrows Insert clips

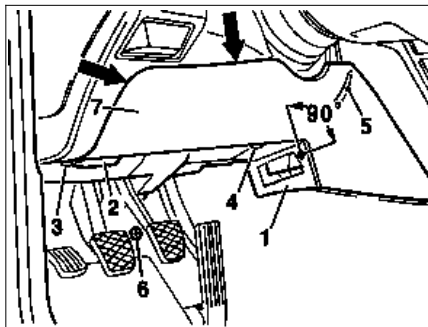


P68.30-0237-06

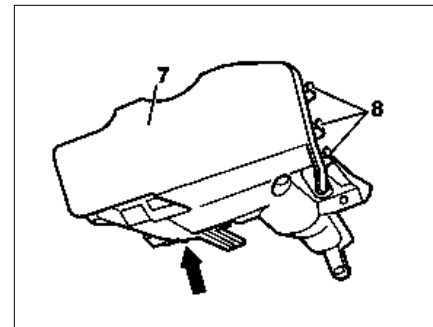
	Removal		
1	Remove rear seat and rear backrest		AR91.12-P-1700F
2	Remove rear head restraint		AR91.16-P-1770E
3	Remove paneling on C-pillar		AR68.30-P-4490F
4	Remove high-mounted stop lamp		AR82.10-P-5375EB
5	Unhook and remove insert clips (arrows)		
6	Lift rear shelf (1) at front and remove		
7	Unscrew two nuts (4) from trunk side		
8	Remove rear shelf (2, rear section)		
	<b>Installation</b>		
9	Insert rear shelf (2, rear section) and fasten with two nuts (4) from trunk side		
10	Insert rear shelf (1) and fasten with insert clips (arrows)		
11	Install high-mounted stop lamp		AR82.10-P-5375EB
12	Install paneling on C-pillar		AR68.30-P-4490F
13	Install rear head restraint		AR91.16-P-1770E
14	Install rear seat and rear backrest		AR91.12-P-1700F

## MODEL 210

- 1 Cover for air outlet  
 2 Screw on release handle  
 3 Screw  
 4 Screw  
 5 Screw  
 6 Plastic nut  
 7 Cover  
 8 Hook  
 Arrows Clips  
 Arrow Front tab



P68.10-0275-01

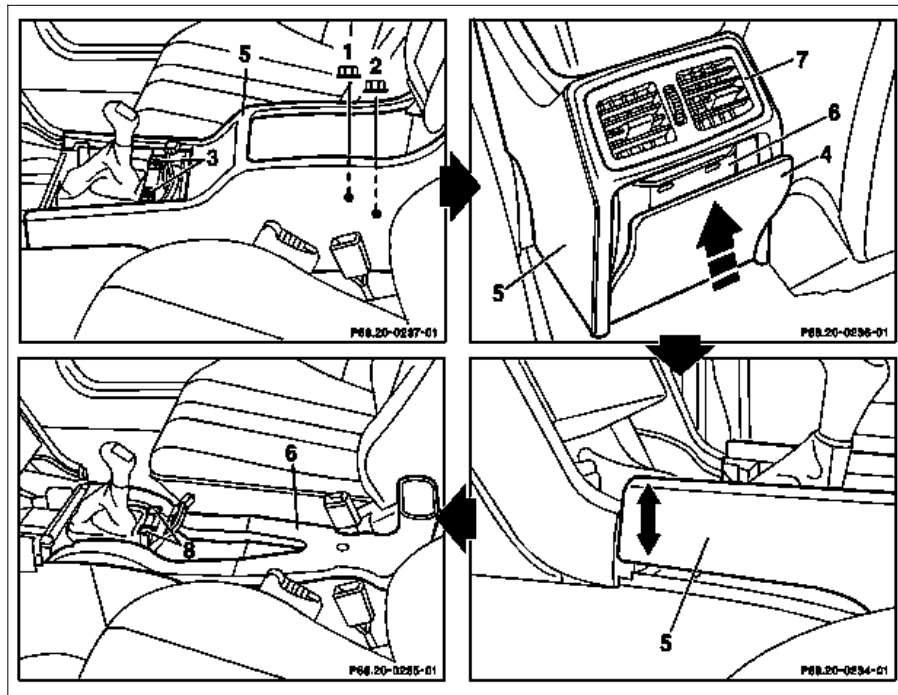


P68.10-0276-01

☒ ☒	Removal, installation		
1	Remove cover (1) on air outlet in footwell		
2	Unscrew screw (2) on handle for opening engine hood		
3	Unscrew screws (3, 4 and 5)		
4	Unscrew plastic nut (6)		
5	Pull cover (7) off of instrument panel (arrows)		
6	Remove cover (7) downwards while simultaneously removing hooks (8, 3 each) on center console	<b>i</b> When installing insert front tab on floor covering (arrow)	
7	Guide handle for engine hood pull cable through cover (7)		
8	Reinstall in opposite order		

## MODEL 210

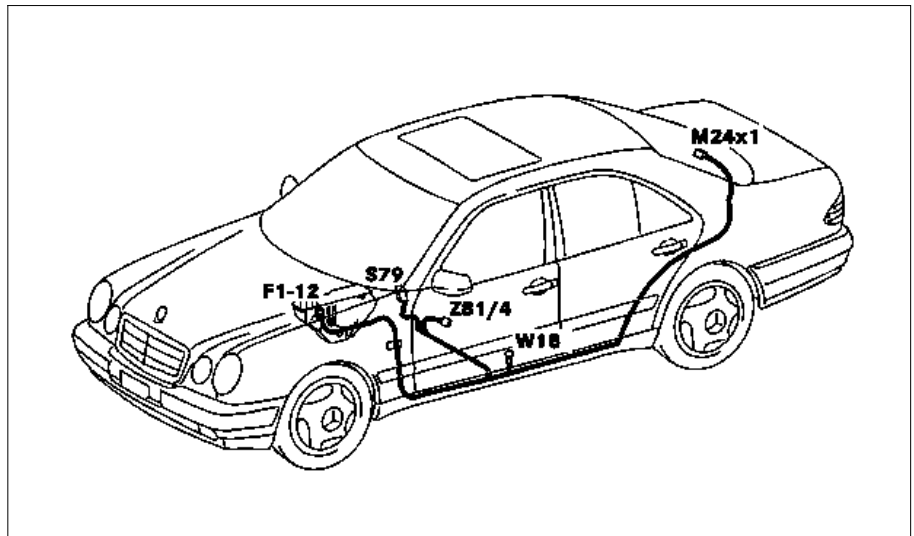
- 1 Nut
- 2 Nut
- 3 Screws
- 4 Cover
- 5 Center console
- 6 Air duct
- 7 Rear compartment nozzle
- 8 Clip nuts



P68.20-0256-06

☒ ☒	Removal, installation		
1	Remove cover on shift lever		AR68.20-P-2310F
2	Remove ashtray housing		AR68.20-P-2400F
3	Remove carpet insert in stowage compartment		
4	Unscrew nuts (1 and 2, 10 mm)		
5	Unscrew screws (3)	<b>i Installation:</b> When installing clip sheet metal clip nuts (8) onto shift lever bracket	
6	Unclip cover (4) at top and pull out upwards		
7	Lift center console (5) disengaging at the front from the sliding insert connection and at the rear from the air duct (6) for the rear compartment nozzle	<b>i Installation:</b> When installing expose connectors	
8	Remove center console (5)		
9	Reinstall in opposite order		

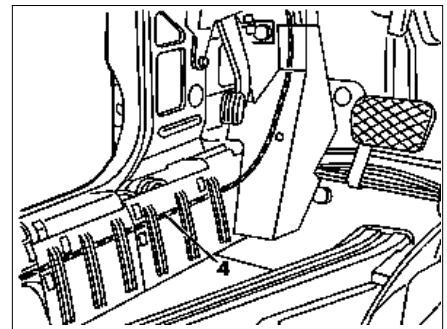
**i** Route wiring harness of electric scissors-type sunshade as shown in drawing and attach to the existing or new cable straps and omega clips. The colored markings on the wiring harness should match those on the main wiring harness. They identify the outlet of the wiring harness from the cable ducts.



- F1-12 Fuse 12, circuit 15R  
M24x1 Rear window shade motor connector  
S79 Electric rear window shade switch (center console)  
W18 Ground (left front seat at crossmember)  
Z81/4 Circuit 58d connector sleeve, frame-floor system (FFS)

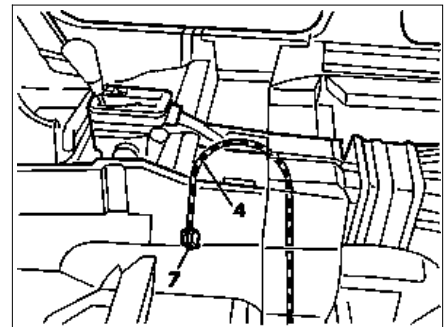
P68.50-0204-05

- 1 Route wiring harness of electric scissors-type sunshade (4) in cable duct to the front to fuse box F1.
- 2 Connect single-pin black/white cable to fuse 12, circuit 15R.
- 3 Insert fuse F1-12.



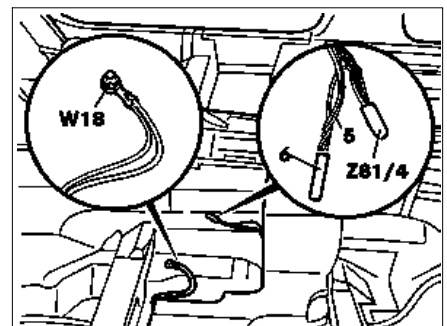
P68.50-0205-01

- 4 Route branch of the sunshade wiring harness (4) with the 6-pin connector (7) for electric scissors-type sunshade switch (S79) in the cable duct ahead of the crossmember to the center console behind shift bracket.



P68.50-0206-01

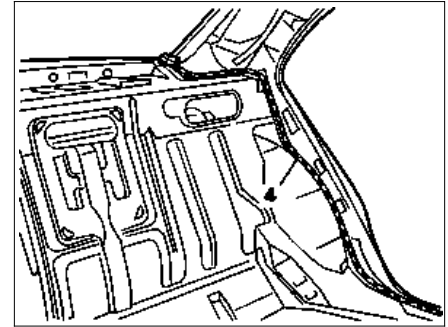
- 5 Connect ground cable (brown) to ground of left front seat at crossmember (W18).
- 6 Separate grey/blue cable with the largest diameter approx. 5 cm ahead of connector sleeve Z81/4 circuit (58d). Strip insulation of end and twist with grey/blue cable (5) of electric scissors-type sunshade wiring harness, solder and insulate with shrink-fit sleeving (6).



P68.50-0208-01



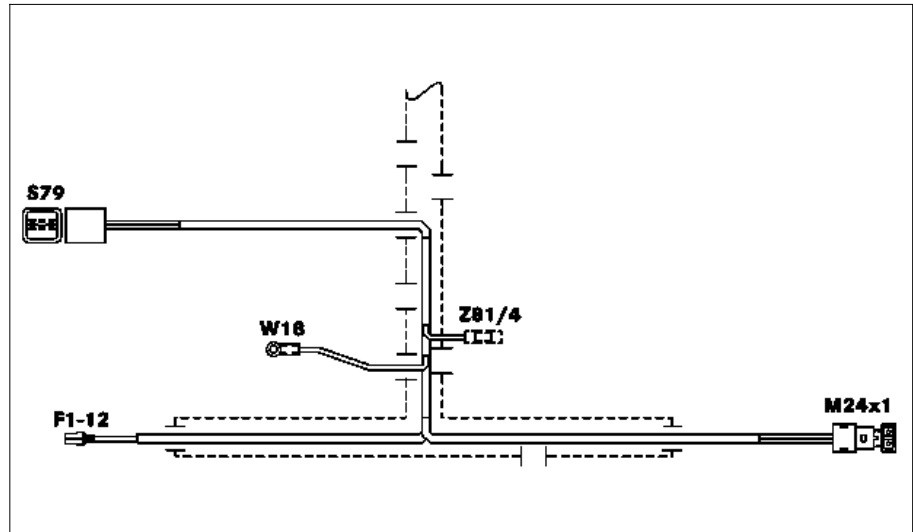
- 7 Route long branch of electric scissors-type sunshade wiring harness (4) in cable duct to rear shelf.



P68.50-0210-01

**i** Wiring diagrams see "Wiring diagrams Model 210 Group 68".

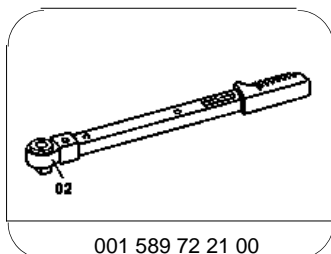
- F1-12 Fuse 12, circuit 15R  
M24x1 Rear window shade motor connector  
S79 Electric rear window shade switch (center console)  
W18 Ground (left front seat at crossmember)  
Z81/4 Circuit 58d connector sleeve, frame-floor system (FFS)



P68.50-0213-05

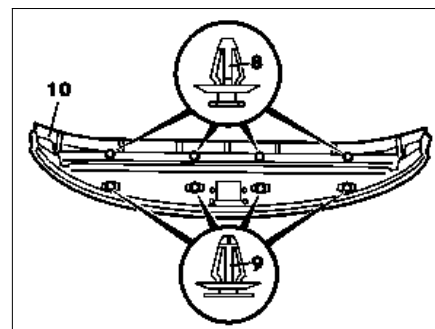
**Nm** Curtains/sun shades

Number	Designation		Model 210
BA68.50-P-1001-01B	Nut, scissors-type blind on upper partition wall	Nm	7



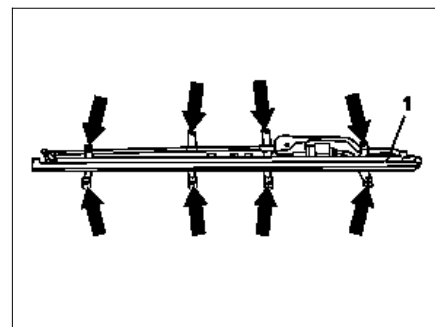
Torque wrench

- 1 Check whether black clips (8) are correctly installed at rear section of rear shelf (10).  
 4 clips.
- 2 Check whether black clips (9) are correctly installed at rear section of rear shelf (10).  
 4 clips.



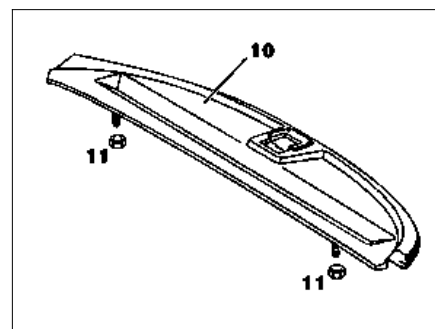
P68.50-0209-01

- 3 Clip rear section of rear shelf to brackets (arrows) on electric scissors-type blind (1).



P68.50-0211-01

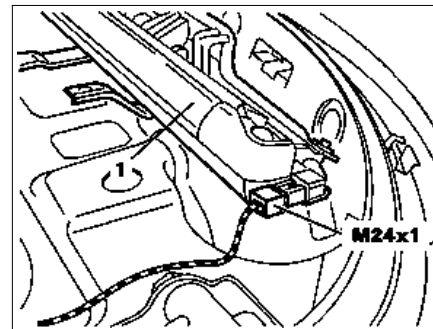
- 4 Insert electric scissors-type blind with rear section of rear shelf (10) into specified holes and fasten 2 nuts (11) from trunk, however, do not yet tighten.



P68.50-0214-01

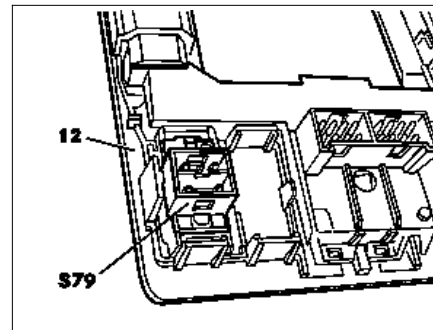
- 5 Connect 2-pin connector (M24x1) to electric scissors-type blind (1).
- 6 Install rear shelf.
- 7 Align electric scissors-type blind and tighten nuts with torque wrench.  
**Nm** Pay attention to tightening torque.

*Shown without rear shelf*

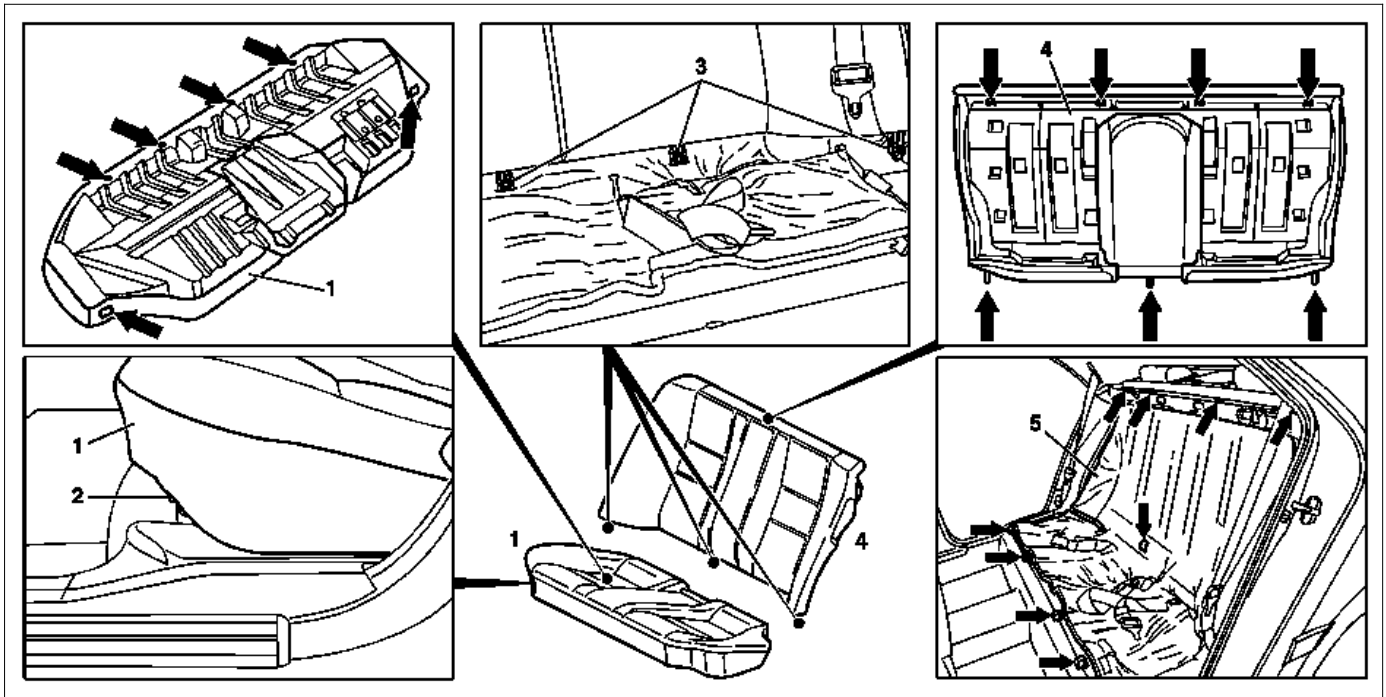


P68.50-0212-01

- 8 Cut cutout for electric scissors-type blind switch (S79) into cover on gearshift lever (12) or use new cover with switch cutout.
- 9 Insert electric blind switch (S79) into cover on gearshift lever (12).  
**i** When installing cover (12), connect 6-pin connector on electric scissors-type wiring harness to switch (S79).



P68.50-0207-01



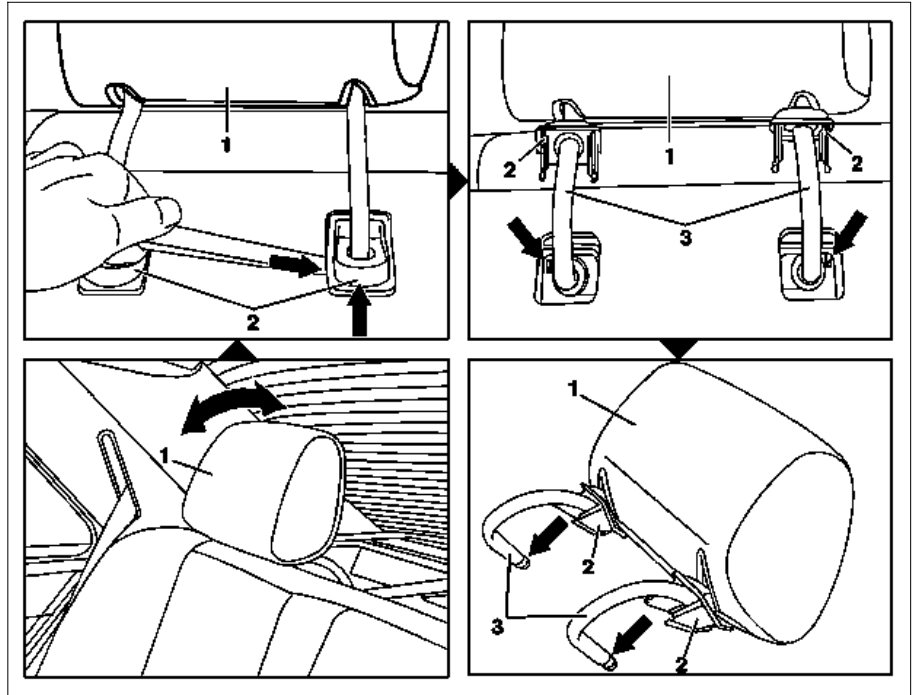
P91.10-0292-09

- 1 Rear seat cushion
- 2 Release lever
- 3 Bolts at bottom of rear backrest frame
- 4 Rear backrest
- 5 Insulating mat

☒ ☒	Removal, installation		
1	Pull up both release levers (2) and lift rear seat cushion (1)		
2	Remove rear seat cushion (1)	<b>i</b> <b>Installation:</b> When reinstalling expose lap belt and belt buckles. Insert rear seat cushion into the two crash retainers at the rear and allow to catch at front. Pay attention to guide pins (4 each).	
3	Unscrew bolts (3) in seat belt end fitting at bottom on left and right sides and in rear backrest frame		
4	Lift rear backrest (4) up and remove	<b>i</b> <b>Installation:</b> Before installing position insulating mat; expose guide pins for rear seat cushion. When installing insert catches (arrows) into top of rear wall; expose rear seat belts.	
5	Reinstall in opposite order		

MODEL 202 ///, 208.3, 210, 220, 215 (except 202.07 /08 /18 /19)

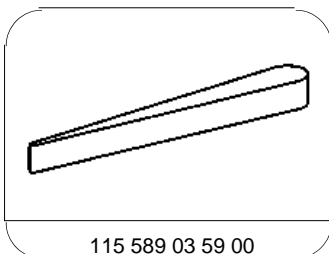
- 1 Head restraint
- 2 Cover
- 3 Head restraint yokes



P91.15-0005-06

	<b>Removal</b>		
1	Pull up head restraint (1)		
2	Slide cover (2) toward front and simultaneously press against cover (2) on side with long wedge and lift	 On model 220, 215 only left cover (2)	<a href="https://www.daimler.com/part?articleNumber=115589035900">*115589035900</a>
3	Press both arresting levers (arrows) with screwdriver and pull head restraint yokes (3) toward rear out of head restraint mount		
4	Put head restraint (1) down to side		
	<b>Installation</b>		
5	Install cover (2) on both head restraint yokes (3)		
6	Insert both head restraint yokes (3) uniformly into mounts until catch on the head restraint yoke engages		
7	Hook cover (2) into rear wall panel		
8	Check head restraint retraction feature for proper function		

**Special tool**

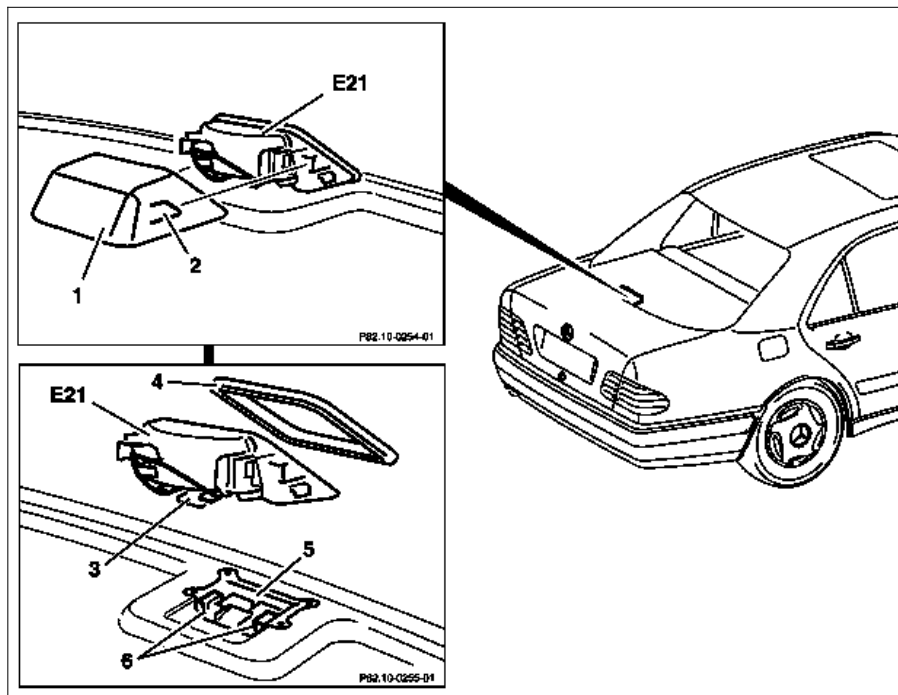


115 589 03 59 00

Long wedge

## MODEL 210.0 /6

- 1 Cover  
 2 Release  
 3 Retaining tab  
 4 Gasket  
 5 Holder  
 6 Guide  
 E21 Center high-mounted stop lamp



P82.10-0253-06

☒ ☒	Removal, installation		
1	Remove cover (1) on center high-mounted stop lamp (E21)	<p><b>i</b> For this purpose press in catch (2) on left and right and simultaneously pull cover (1) forward</p>	
2	Remove center high-mounted stop lamp (E21) from holder (5)	<p><b>i</b> For this purpose press retaining tab (3) up and simultaneously pull center high-mounted stop lamp forward</p> <p><b>i</b> <b>Installation:</b> Insert center high-mounted stop lamp (E21) into the two guides (6) on the holder (5) and push toward rear until gasket (4) makes uniform tight contact with the rear window.</p>	
3	Remove holder (5) from rear shelf and disconnect electrical connector		
4	Reinstall in opposite order		